

BAXI FIRES DIVISION

INSTALLER GUIDE

REPLACEMENT CHAIRBRICK MODEL 523

This Installer guide is to be read in conjunction with the installer and owner guides supplied with the model **639, 739, 939** and **949** decorative burners.

We trust that this guide gives sufficient details to enable this replacement chairbrick to be installed and maintained satisfactorily. However, if further information is required, our **Technical Helpline** will be pleased to help.

Please telephone **08706 061 065**.

In the Republic of Ireland telephone **0044 8706 061 065**.

BAXI ● VALOR ● WONDERFIRE

This guide to be attached to the installer and owner guide supplied with the fire and left with the owner.

INSTALLER GUIDE

© Baxi Heating U.K. Limited 2005.

All rights reserved. No part of this publication may be reproduced in any material form (including photocopying), stored in any medium by electronic means (including in any retrieval system or database) or transmitted, in any form or by any means, whether electronic, mechanical, recording or otherwise, without the prior written permission of the copyright owner.

Applications for the copyright owner's permission to reproduce any part of this publication should be made, giving details of the proposed use, to the following address: The Company Secretary, Baxi Heating UK Limited, Pentagon House, Sir Frank Whittle Road, Derby, DE21 4XA.

Warning: Any person who does any unauthorised act in relation to a copyright work may be liable to criminal prosecution and civil claims for damages.

1. GENERAL INFORMATION

1.1 The replacement chairbrick is designed to assist with the installation of the decorative gas fires (Model 639, 739, 939 and 949) where there is an excessively large fireplace opening.

The replacement chairbrick is intended for use with Decorative Gas Fires (Model 639, 739, 939 and 949) only.

There are three trims available: -

	<u>Description.</u>	<u>Part number.</u>
1.	Black Trim	3002534 (Supplied)
2.	Brass Trim	3002533 (Supplied)
3.	Chrome Brushed Trim	0552341 (Optional)

2. GENERAL INSTALLATION REQUIREMENTS

2.1 The installation must be in accordance with this guide.

For the user's protection, in the United Kingdom it is the law that all gas appliances are installed by competent persons in accordance with the current edition of the Gas Safety (Installation and Use) Regulations. Failure to install the appliance correctly could lead to prosecution. The Council for the Registration of Gas Installers (CORGI) requires its members to work to recognised standards.

In the United Kingdom the installation must also be in accordance with:

All the relevant parts of local regulations.

The current edition of the Building Regulations issued by the Department of the Environment and the Welsh Office or the Building Standards (Scotland)

INSTALLER GUIDE

(Consolidation) Regulations issued by the Scottish Development Department.
All relevant codes of practice.

The relevant parts of the current editions of the following British Standards:-
BS EN 1856 Part 1 which replaces BS 4543 Part 2

BS 5440 Part 1

BS 5440 Part 2

BS 5871 Part 3

BS 6461 Part 1

BS 6891

BS 8303

2.2 In the republic of Ireland the installation must also conform with the relevant parts of:

The current editions of:-

IS 813 “Domestic gas installations”

ICP3

IS327

All relevant national and local rules in force

As supplied the appliance can be installed in the following situations: -

To a fireplace complete with surround and hearth as shown in figure 1. The required fireplace, hearth, and clearance dimensions are shown in figure 1.

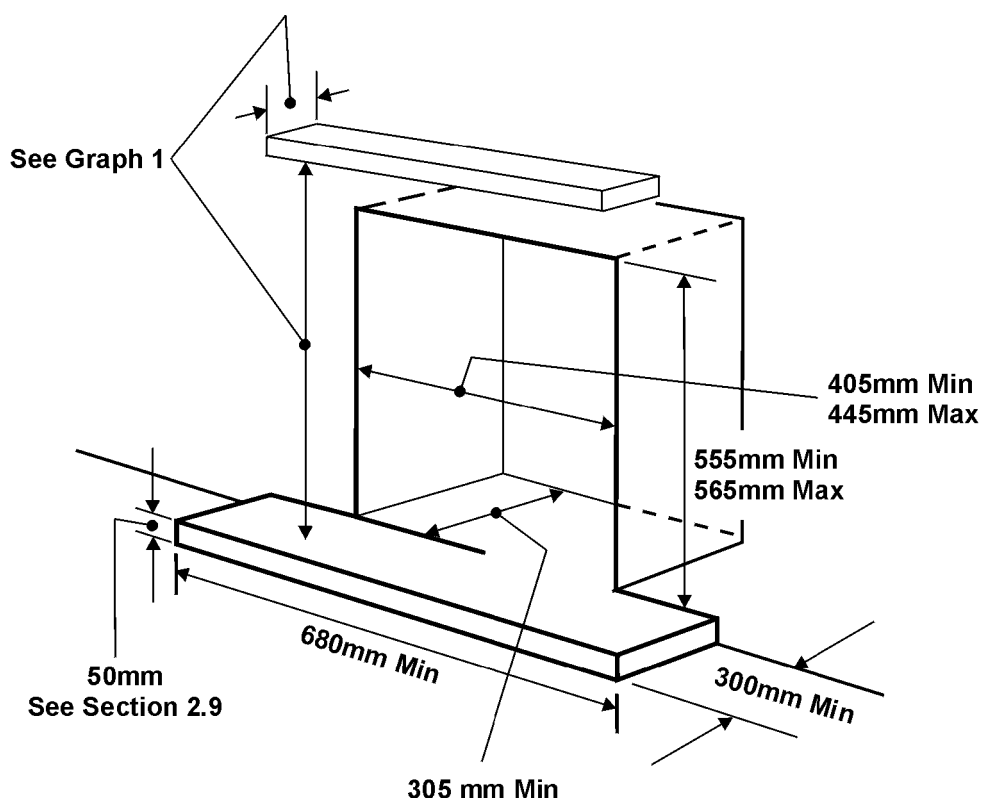


Figure 1. Hearth and fireplace dimensions

INSTALLER GUIDE

Suitable flues and minimum flue sizes are as follows: -

- a) 225mm x 225mm conventional brick flue.
- b) 175mm diameter lined brick or stone flue.
- c) 200mm diameter factory made insulated flue manufactured to BS4543.
- d) 175mm diameter flue pipe. See BS6461 Part 1 for suitable materials.

The distance from the front face of the flueway opening in the lintel (or equivalent) to the extreme front face of the fireplace including all surfacing must be no more than the distance shown in figure 2.

If this maximum of 115mm is exceeded poor clearance of combustion products could result. In this situation there may be a requirement to adapt the lintel/brickwork ensuring that a minimum clearance of 100mm is maintained. Preferably the lintel/brickwork shall be tapered as in figure 3 to assist with the smooth transition of products of combustion.

2.3 The minimum effective height of the flue must be 3m.

2.4 The flue must not be used for any other appliance or application.

2.5 Any chimney damper or restrictor should be removed. If removal is not possible, they must be secured in the open position.

2.6 If the appliance is intended to be installed to a chimney that was previously used for solid fuel, the flue must be swept clean prior to installation. All flues should be inspected for soundness and freedom from blockages.

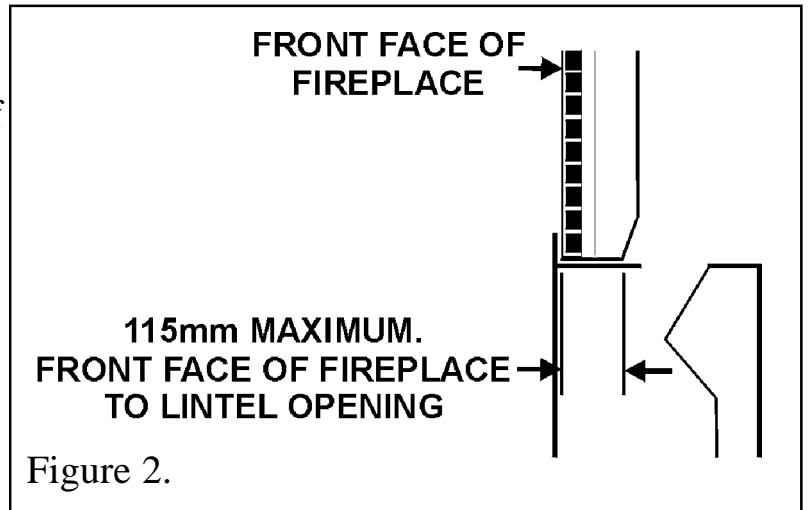


Figure 2.

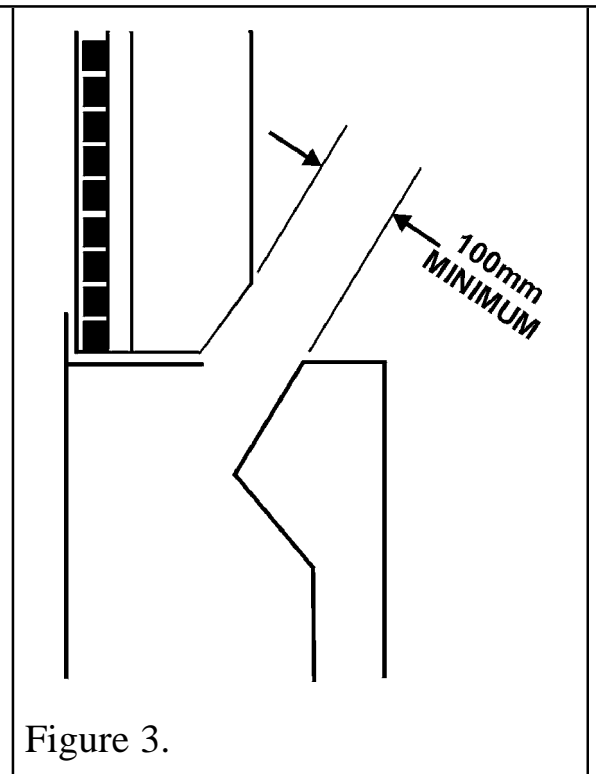


Figure 3.

INSTALLER GUIDE

2.7 The minimum height from the base of the fireplace opening to the underside of any shelf made from wood or other combustible materials is as follows: -

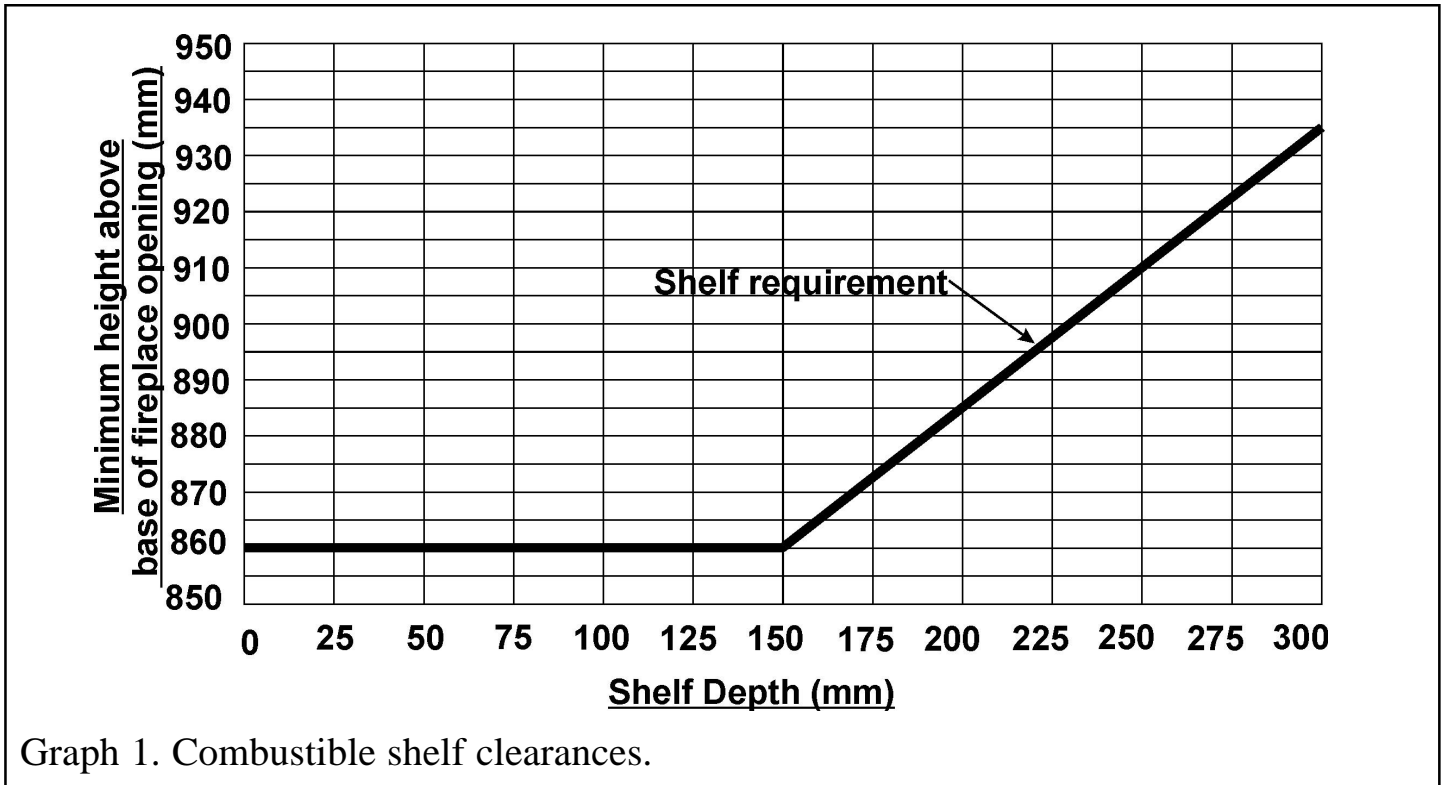
- *For a shelf up to 150mm deep*

Minimum height = 860mm.

- *For a shelf deeper than 150mm*

860mm + 12.5mm for every 25mm depth over 150mm

(See Graph 1).



Graph 1. Combustible shelf clearances.

Note that soft wall coverings (e.g. embossed vinyl, etc.) are easily affected by heat. They may scorch or become discoloured when close to a heating appliance. Please bear this in mind when installing.

2.8 If the fireplace opening is an underfloor draught type, it must be sealed to stop any draughts.

2.9 The appliance must be mounted behind a non-combustible hearth (N.B. conglomerate marble hearths are considered as non-combustible). The appliance can be fitted to a purpose made proprietary class “O”- 100°C surround. The hearth material must be at least 12mm thick. The periphery of the hearth (or fender) should be at least 50mm above floor level to discourage the placing of carpets or rugs over it (See figure 1).

2.10 The surface of the hearth must be sufficiently flat to enable the bottom of the front surround and the bottom front cover to be aligned horizontally. Any excessive unevenness (uneven tiles, Cotswold stone, etc.) should be rectified.

INSTALLER GUIDE

2.11 The appliance must not stand on combustible materials or carpets.

2.12 This appliance must not be installed in any room that contains a bath or shower or where steam is regularly present.

2.13 An extractor fan may only be used in the same room as this appliance, or in any area from which ventilation for the appliance is taken, if it does not affect the safe performance of the appliance. Note the spillage test requirements detailed further on in this manual. If the fan is likely to affect the appliance, the appliance must not be installed unless the fan is permanently disconnected.

2.14 Propane gas appliances must not be installed in a room that is built entirely below ground level (see BS 5871 Part 2).

2.15 If the fireplace opening is greater than the acceptable dimensions given in this guide, do not use the back of a fire surround or marble to reduce the opening. This may cause cracking of the surround back or marble.

3. UNPACKING

Contents:

1	Replacement chairbrick assembly	1	Length of Foam Seal
3	Wooden plugs	1	Length of Sealing Tape
1	Eyebolt	2	Screws
1	Retaining cable	1	Grommet
1	Cable clamp	2	Trim sets

Carefully remove the contents.

Check that all the listed parts are present and in good condition.

4. INSTALLATION OF APPLIANCE

Fireplace size

The fireplace must comply with the requirements described in section 2.

Fireplace flue pull.

Visually inspect the flue for any obstruction, and that a smooth transition from the fireplace opening into the flue is available. Close all doors and windows in the room in which the appliance is to be installed. After confirming with a match that smoke is drawn into the flue, light a 13 gram smoke pellet and check that there is a definite flow through the flue. Verify outside that the smoke exits from one terminal only and that the termination is suitable. Observe, where possible, upstairs rooms and loft spaces for signs

INSTALLER GUIDE

of escaping smoke indicating a defective flue. If there is not a definite flow warm the flue for a few minutes and repeat the smoke pellet test. If there is still no definite flow the flue may need remedial work – **Do not fit the appliance until there is a definite flow through the flue.**

(See section 2.13)

Installation of the replacement chairbrick assembly

Attach foam seal.

There is a length of self adhesive foam seal supplied with the replacement chairbrick. This will need to be fitted to the outer rear edges of the side and top flanges. To prevent the foam seal being visible after installation it is recommended that a 5mm gap be left from the outer edge of the flanges. To achieve the 5mm gap cut a 473mm length of foam seal. Be careful not to stretch the seal when measuring. Remove the protective backing from the foam seal and fit this to the rear of the top flange (See figure 4). Cut two 560 mm lengths. Fit these to the rear outer edges of the side flanges. Ensure that there is no gap between the foam seals where they meet at the top flange (See figure 4)

Gas supply

The supply pipe must be rigid material. Flexible pipe must not be used. If a concealed connection is to be used the gas pipe will have to be positioned as in figure 5. This will allow the replacement chairbrick to be pushed back into the fireplace opening with minimal effort. The

gas pipe will also be in line with the restrictor elbow on the gas fire.

At the rear of the replacement chairbrick there is a rubber grommet. Cut a small slit in this to allow the pipe to pass through

The grommet must only be cut if a rear connection is used.

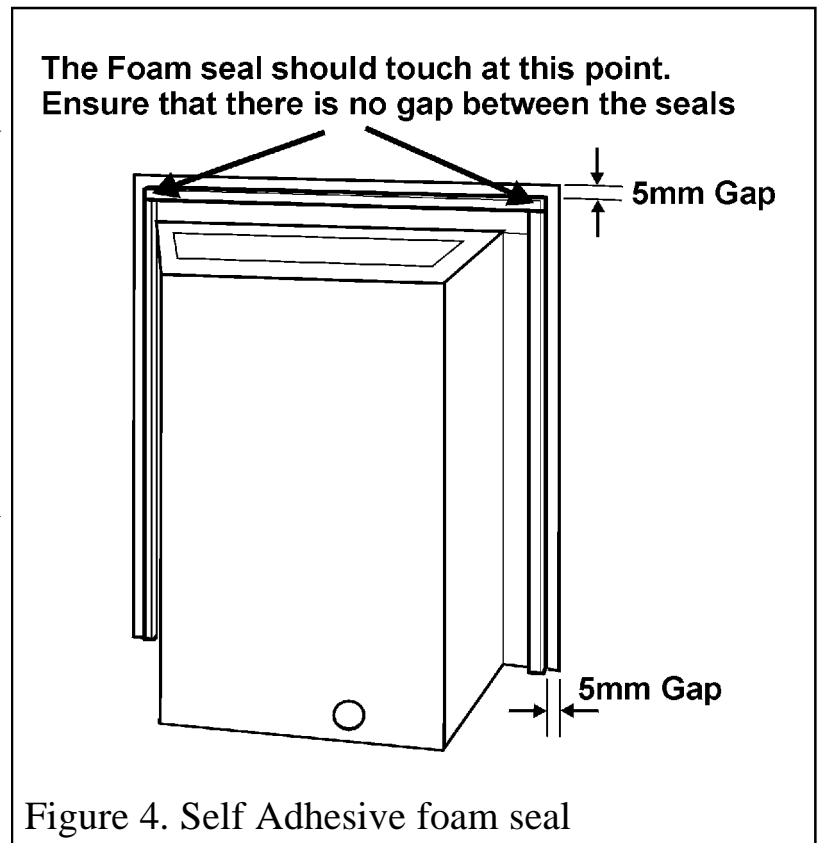


Figure 4. Self Adhesive foam seal

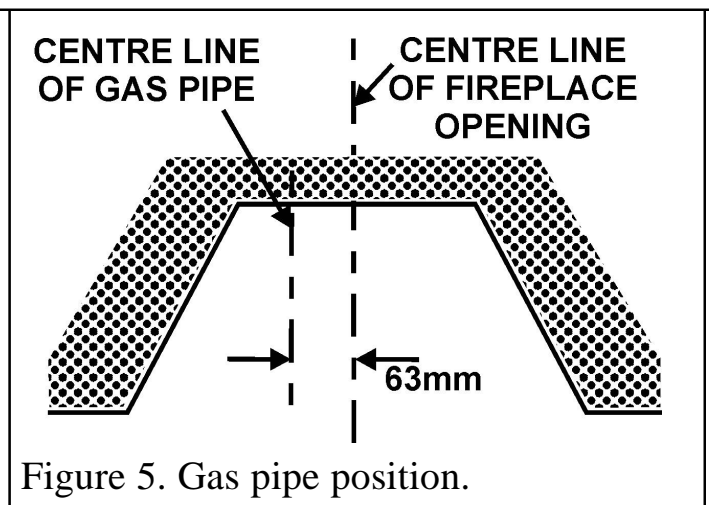


Figure 5. Gas pipe position.

INSTALLER GUIDE

Cable Retention.

Drill a hole in the rear wall of the fireplace for the eyebolt plug (See figure 6). The hole should be drilled using a 6mm masonry drill. The hole should be on the centre line of the fireplace to ensure that the appliance finishes centrally in the opening when tension is applied to the cable.

Insert a wooden plug into the hole. Use the wooden plug supplied with this appliance - **Never use a plastic plug instead of the wooden plug supplied.** Screw the eyebolt into the plug. Make sure that the bolt is secure.

The replacement chairbrick has three holes located toward the lower section of the rear panel below the ceramic rear wall. There are two on the right side and one on the left side (See figure 6). From the front, insert approximately 50mm of the cable into the outer most hole on the right hand side. Hold this in position and feed the other end of the cable through the hole immediately to the left. Continue to feed the remaining cable through this hole until all of the remaining cable is at the rear of the replacement chairbrick.

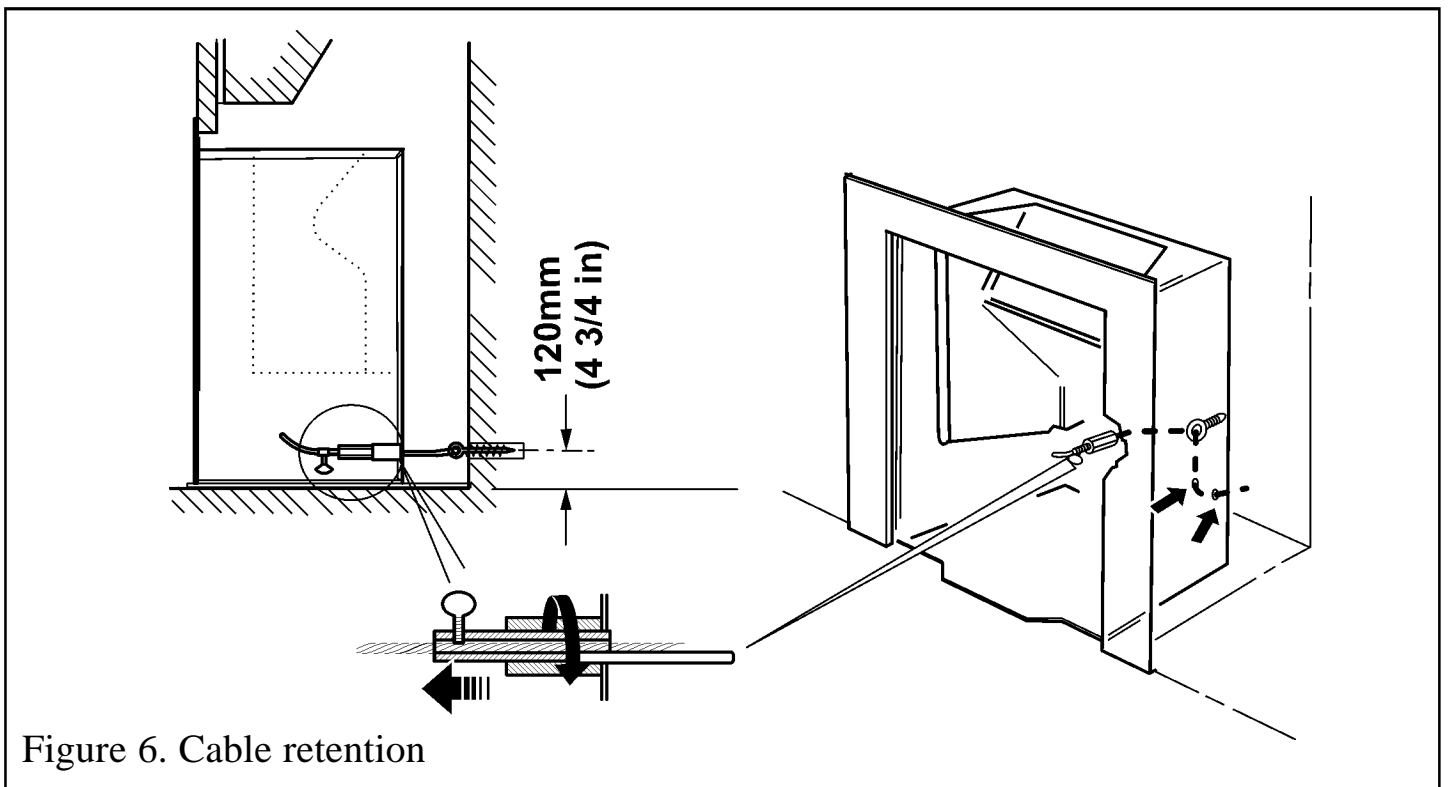


Figure 6. Cable retention

Place the replacement chairbrick close to the fireplace but allow sufficient access into the fireplace opening so that the cable can be threaded through the eyebolt and returned through the left hand side hole in the back of the replacement chairbrick. Hold the cable in place by attaching the cable retainer as in figure 6.

If a concealed connection is being used, insert the replacement chairbrick into the fireplace opening by feeding the supply pipe through the slit in the rear grommet.

INSTALLER GUIDE

Pull the cable taut. Push the cable retainer hard up against the rear panel. Tighten the screws in the retainer so that they clamp the cable in position. Apply tension to the cable by turning the hexagonal adjuster by hand (See figure 6).

Inspect the fit of the convection box to the fireplace surround. Ensure that the replacement chairbrick is aligned squarely and the sealing is satisfactory, and then fully tighten the cable retainer.

Do not remove the free length of cable. Push this inside the left hand opening between the rear of the replacement chairbrick and the side ceramic. This will allow easy removal and refitting of the appliance during service calls.

Using the floor sealing tape supplied, seal the bottom of the replacement chairbrick to the fireplace and hearth floor, run the tape along the edge of the firebox with half of the tape on the hearth floor.

Installing the burner

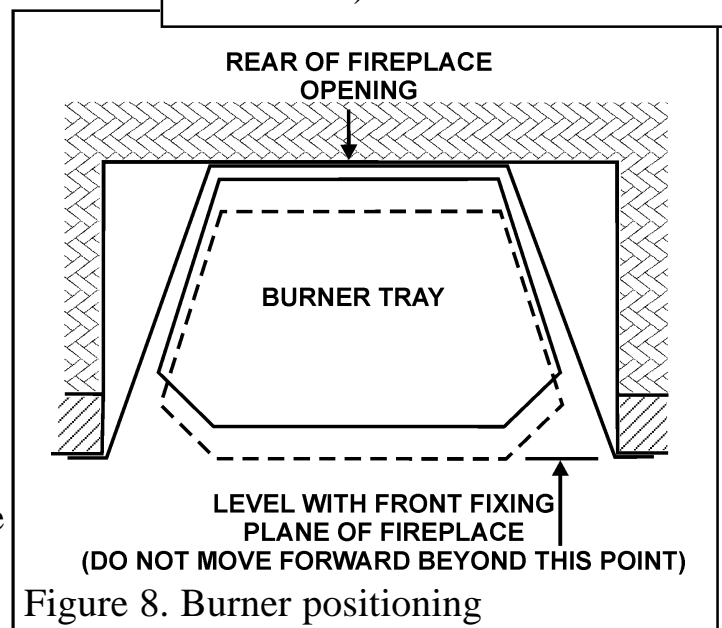
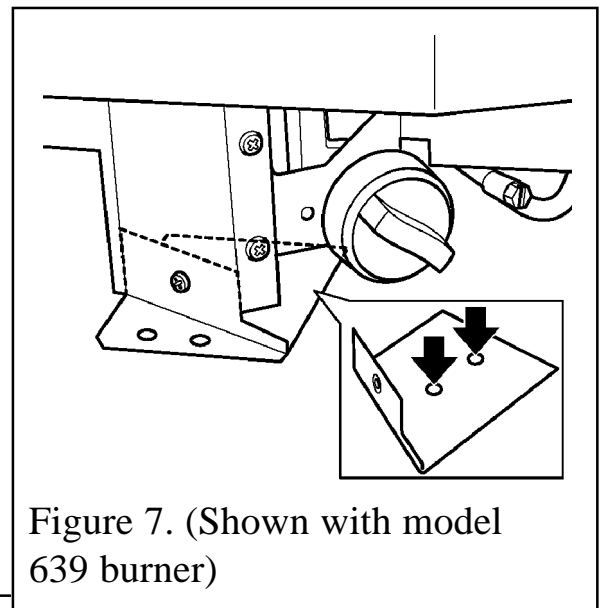
The replacement chairbrick is designed for use with the Model 639, 739, 939 and 949 burners only. No other burner should be installed into the replacement chairbrick.

- The 639, 739, 939 and 949 burners are supplied with a fixing bracket attached to the front leg of the burner (See figure 7). This bracket will be used to fix the burner in place. On model 639 burners **do not** use the two holes in the front leg to fix the burner in place.

- The burner should be placed centrally into the replacement chairbrick with the front of the burner in line with the front fixing plane of the fire (See figure 8)

- The decorative firefront should be placed in front of the burner. The rear of the two side legs on the decorative firefront should rest against the front flange of the replacement chairbrick. If they do not, push the firefront towards the rear of the replacement chairbrick until they do.

- The two holes in the fixing bracket will be positioned over the central slot in the base of the replacement chairbrick - (If the slot in the base does not line up with the holes in the fixing bracket see *).



INSTALLER GUIDE

639,739 & 949 models

- Remove the firefront without disturbing the burner.
- Mark through the slot, onto the floor, the position of the two fixing holes in the fixing bracket.
- Remove the burner.
- Drill the hole positions with a 6mm masonry drill bit
- Insert a wooden plug into each hole.
- Unscrew the fixing bracket from the front support leg of the burner.
- Using 2 screws secure the fixing bracket to the base of the replacement chairbrick / floor.
- Locate the burner against the fixing bracket, but do not secure at this point.

939 models

- Remove the firefront without disturbing the burner.
- Mark through the slot, onto the floor, the position of the two fixing holes in the fixing bracket.
- Without disturbing the burner, remove the two screws at the rear of the burner tray (See figure 9). These secure the rear ceramic support bracket to the burner tray.

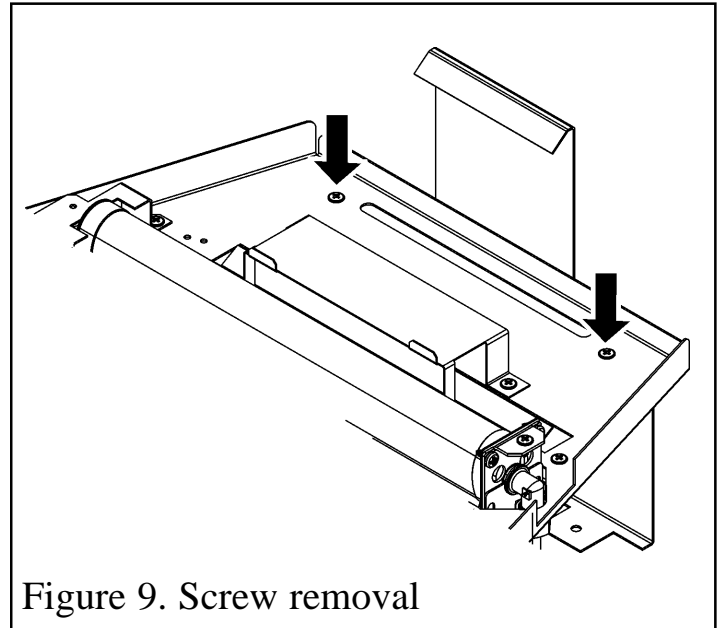


Figure 9. Screw removal

- Hold the ceramic support bracket in place. Lift and remove the burner.
- The base of the ceramic support bracket has two holes. Mark through the slots, onto the floor, the positions of the holes. If there are no slots in the base of the replacement chairbrick then mark the base and drill suitable sized holes.
- Drill the marked hole positions with a 6mm masonry drill bit.
- Insert a wooden plug into each hole.
- Unscrew the fixing bracket from the front support leg of the burner.
- Using 4 screws secure the fixing bracket and ceramic support bracket to the base of the replacement chairbrick / floor.
- Locate the burner onto the ceramic support bracket, but do not secure it to the fixing bracket at this point.

- * When fitting a model 739 burner the slot in the base may not line up with the holes in the fixing bracket. In such cases :
 - Remove the firefront without disturbing the burner.
 - Mark through the fixing bracket, onto the base, the position of the two fixing holes in the fixing bracket.

INSTALLER GUIDE

- Remove the burner.
- Drill through the hole positions in the base.
- Insert a wooden plug into each hole.
- Unscrew the fixing bracket from the front support leg of the burner.
- Using 2 screws secure the fixing bracket through the holes in the base of the replacement chairbrick / floor.
- Locate the burner against the fixing bracket, but do not secure at this point.

Supply Pipe

With the threaded end of the isolating elbow towards the rear of the replacement chairbrick mark and cut the supply pipe to length. Connect the supply pipe to the isolating elbow using the nut and olive supplied. Secure the burner to the fixing bracket using the screw previously removed.

Pressure check the installation pipework for gas soundness in accordance with the current edition of BS6891.

Check for Spillage

A spillage check must be made before leaving the installed appliance with the customer. Refer to the installer guide for the 639, 739, 939 or 949 burner being used.