

# Spare parts catalogue

0020010871.05 GB 11/2008



Wall-hung boilers ecoTEC pro 24, 28

VUW 246/3-3 R1  
VUW 246/3-3 R2  
VUW 286/3-3  
VUW 286/3-3 R1  
VUW 286/3-3 R2





# Content

<b>General view of sheet</b>	ecoTEC pro 24 VUW 246/3-3 R1 ecoTEC pro 24 VUW 246/3-3 R2 ecoTEC pro 28 VUW 286/3-3 ecoTEC pro 28 VUW 286/3-3 R1 ecoTEC pro 28 VUW 286/3-3 R2	Page 3
<b>04 Burner</b>		Page 4
<b>06 Heat exchanger</b>		Page 6
<b>07 Casing parts</b>		Page 8
<b>08 Connection parts (Hydroblock)</b>		Page 10
<b>08a Connection parts</b>		Page 14
<b>08b Connection parts (Acc.)</b>		Page 16
<b>12 Control box</b>		Page 18
<b>Notes</b>		Page 20

In order to maintain the safe and efficient operation of this appliance, only genuine Vaillant spare parts must be used.

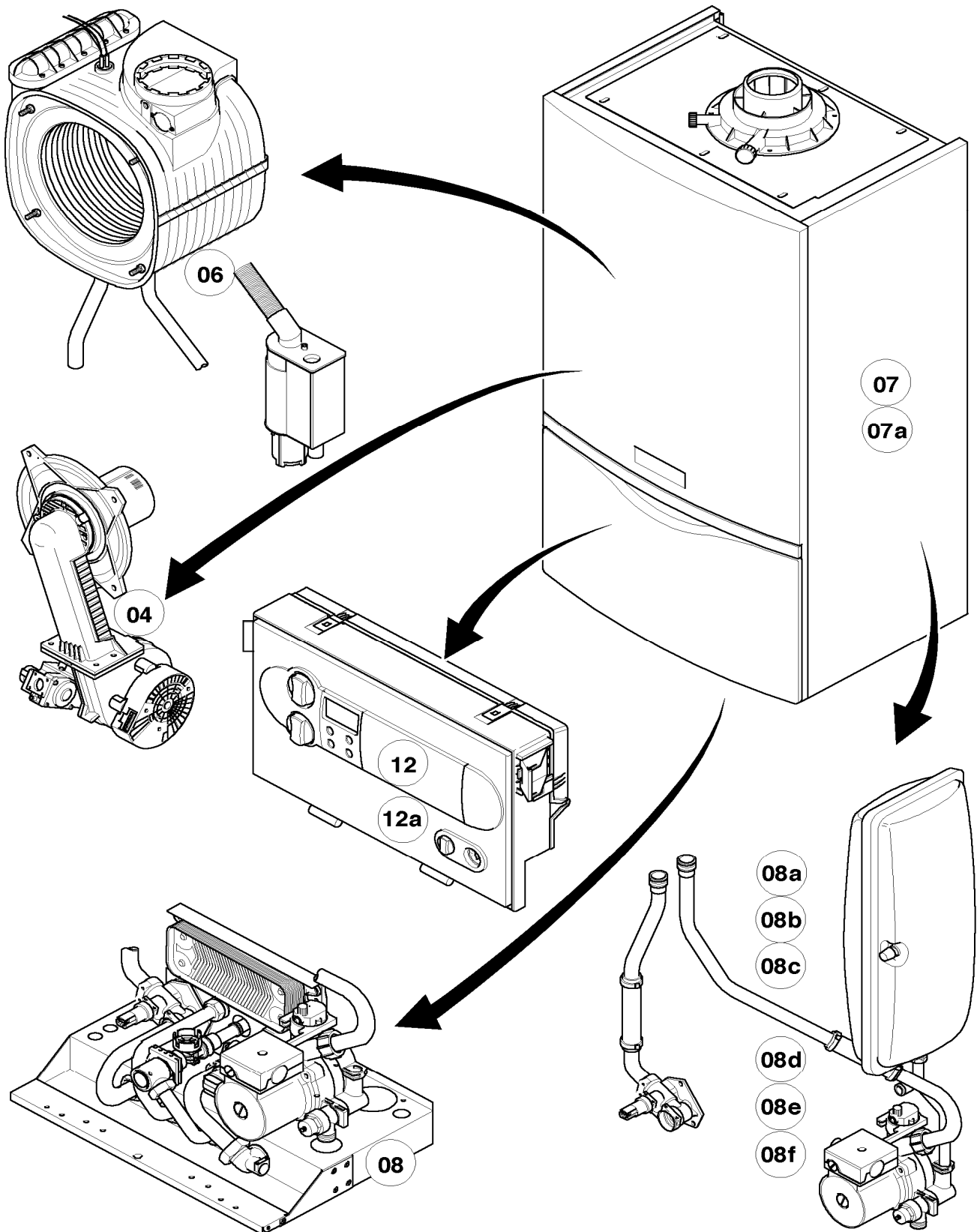


## General view of sheet

ecoTEC pro 24 VUW 246/3-3 R1, R2

ecoTEC pro 28 VUW 286/3-3

ecoTEC pro 28 VUW 286/3-3 R1, R2



02 - 00 - 077.04

Subject to alteration !

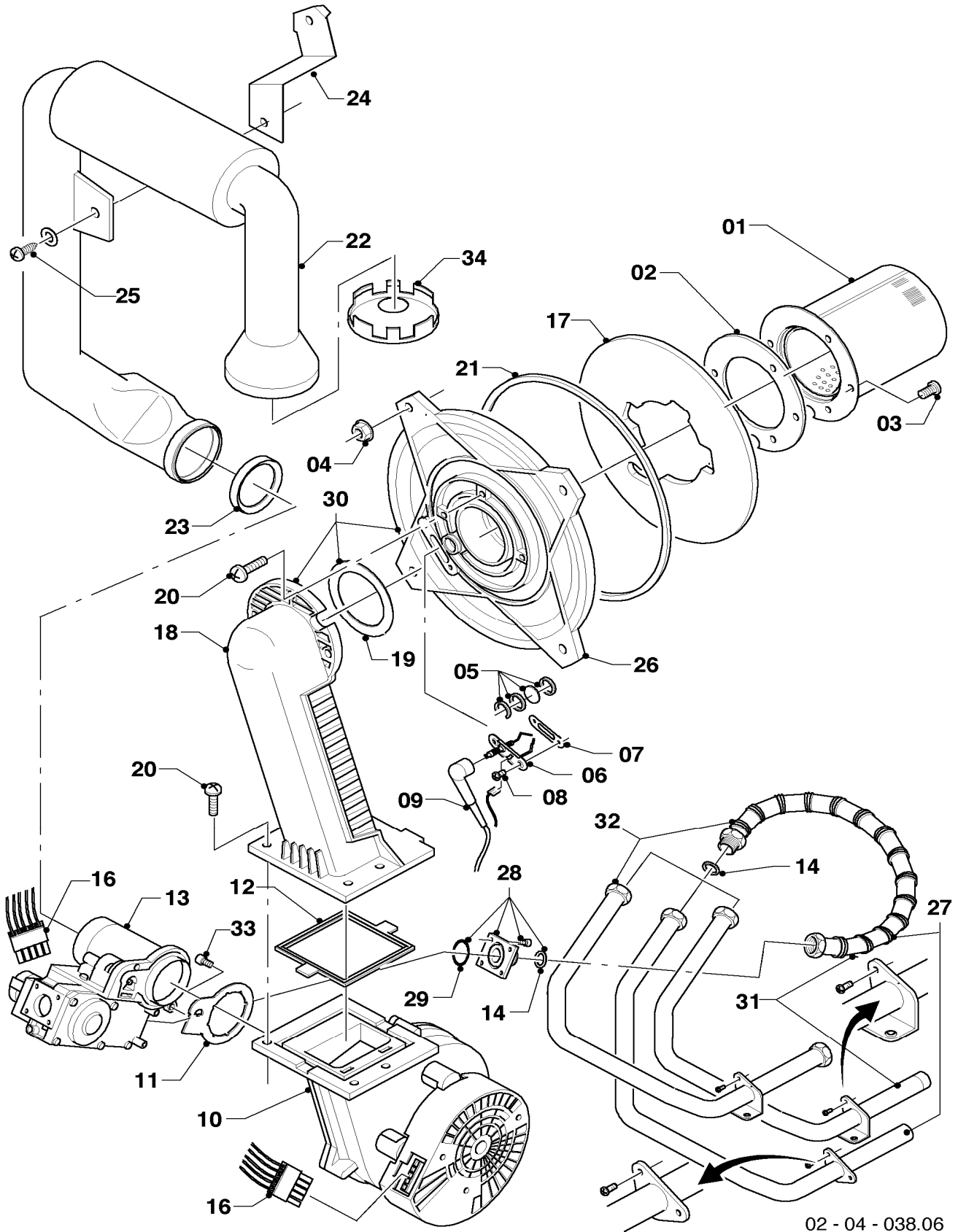
Attention: Please take the gross price from the valid price list !

## 04 Burner

ecoTEC pro 24 VUW 246/3-3 R1, R2

ecoTEC pro 28 VUW 286/3-3

ecoTEC pro 28 VUW 286/3-3 R1, R2



02 - 04 - 038.06

## 04 Burner

ecoTEC pro 24 VUW 246/3-3 R1, R2

ecoTEC pro 28 VUW 286/3-3

ecoTEC pro 28 VUW 286/3-3 R1, R2

Pos.	Art.-No	Part	Type, note
		02-04-038	
00	0020010641	Conversion set	H -> P (not shown)
00	0020010642	Conversion set	P -> H (not shown)
01	049324	Burner	VUW 246/3-3 R1, with parts 02, 03
01	049324	Burner	VUW 246/3-3 R2, with parts 02, 03
01	049345	Burner	VUW 286/3-3, with parts 02, 03
01	049345	Burner	VUW 286/3-3 R1, with parts 02, 03
01	049345	Burner	VUW 286/3-3 R2, with parts 02, 03
02	981103	Sealing ring	
03	105900	Screw (PK10)	
04	0020026537	Nut M6 (PK5)	
05	161245	Inspection glass	
06	090709	Ignition/monitoring electrode	with parts 07, 08
07	980961	Gasket electrode	
08	118883	Flat head screw ISO 7045	
09	193590	Ignition cable	
10	193593	Fan	with parts 11, 12
11	981104	Gasket	
12	193594	Packing ring	
13	053470	Gas section	VUW 246/3-3 R1, with parts 11, 14, 29
13	053470	Gas section	VUW 246/3-3 R2, with parts 11, 14, 29
13	053471	Gas section	VUW 286/3-3, with parts 11, 14, 29
13	053471	Gas section	VUW 286/3-3 R1, with parts 11, 14, 29
13	053471	Gas section	VUW 286/3-3 R2, with parts 11, 14, 29
14	981142	Washer (PK10)	
15	-	-	no longer available, replacement see pos. 27
16	193586	Harness	
17	193595	Insulation	with parts 02, 03
18	-	-	not available as spare part, see pos. 30
19	981107	Packing ring	
20	193597	Screw (PK10)	
21	0020038679	Sealing gasket	
22	193599	Air inlet duct	VUW 246/3-3 R1, with part 23
22	193599	Air inlet duct	VUW 246/3-3 R2, with part 23
22	103404	Air inlet duct	VUW 286/3-3, with part 23
22	103404	Air inlet duct	VUW 286/3-3 R1, with part 23
22	103404	Air inlet duct	VUW 286/3-3 R2, with part 23
23	981111	Packing ring	
24	103405	Support	
25	235756	Tapping screw (ST 4,8x19)	
26	-	-	not available as spare part, see pos. 30
27	180945	Gas pipe	VUW 286/3-3, with part 28
27	180945	Gas pipe	VUW 286/3-3 R1, until 01/07 (with part 28)
28	0020010868	Adaptor piece (gas valve)	
29	982319	O-ring	
30	0020010867	Flange (set)	with parts 02 - 05, 07, 08, 12, 14, 17 - 19, 20, 21, 26
31	0020046863	Gas pipe	VUW 246/3-3 R1, with part 28
31	0020046863	Gas pipe	VUW 246/3-3 R2, with part 28
31	0020046863	Gas pipe	VUW 286/3-3 R1, from 02/07 (with part 28)
31	0020046863	Gas pipe	VUW 286/3-3 R2, with part 28
32	-	-	not necessary
33	509685	Screw (PK10)	
34	-	-	not necessary

Subject to alteration !

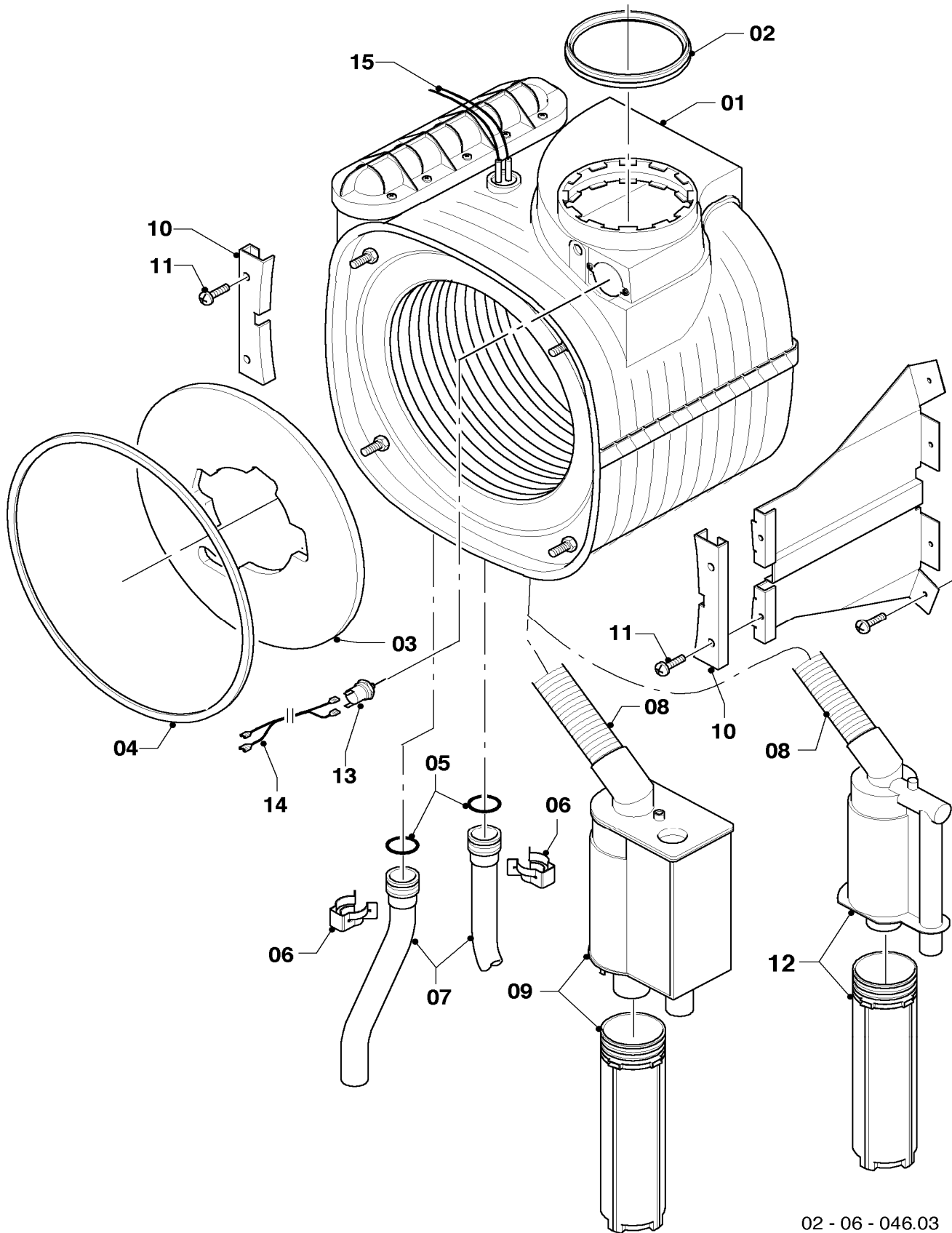
Attention: Please take the gross price from the valid price list !

## 06 Heat exchanger

ecoTEC pro 24 VUW 246/3-3 R1, R2

ecoTEC pro 28 VUW 286/3-3

ecoTEC pro 28 VUW 286/3-3 R1, R2



02 - 06 - 046.03



## 06 Heat exchanger

ecoTEC pro 24 VUW 246/3-3 R1, R2

ecoTEC pro 28 VUW 286/3-3

ecoTEC pro 28 VUW 286/3-3 R1, R2

Pos.	Art.-No	Part	Type, note
		02-06-046	
01	0020018181	Heat exchanger	VUW 246/3-3 R1, with parts 02, 03, 04, 05, 06
01	0020018181	Heat exchanger	VUW 246/3-3 R2, with parts 02, 03, 04, 05, 06
01	103411	Heat exchanger	VUW 286/3-3, with parts 02, 03, 04, 05, 06
01	0020018182	Heat exchanger	VUW 286/3-3 R1, with parts 02, 03, 04, 05, 06
01	0020018182	Heat exchanger	VUW 286/3-3 R2, with parts 02, 03, 04, 05, 06
01	210779	Insulation	for heat exchanger, not shown
02	981227	Gasket	
03	193595	Insulation	
04	0020038679	Sealing gasket	
05	103415	O-ring (PK10)	
06	103417	Clip (PK10)	
07	-	-	see main component 08a
08	-	-	not available as spare part, see pos. 12
09	-	-	not necessary
10	180989	Support (PK2)	with part 11
11	178968	Screw (PK10)	
12	180984	Condensate trap	with part 08
13	-	-	not necessary
14	-	-	not necessary
15	0020052332	Cable tree (harness)	

Subject to alteration !

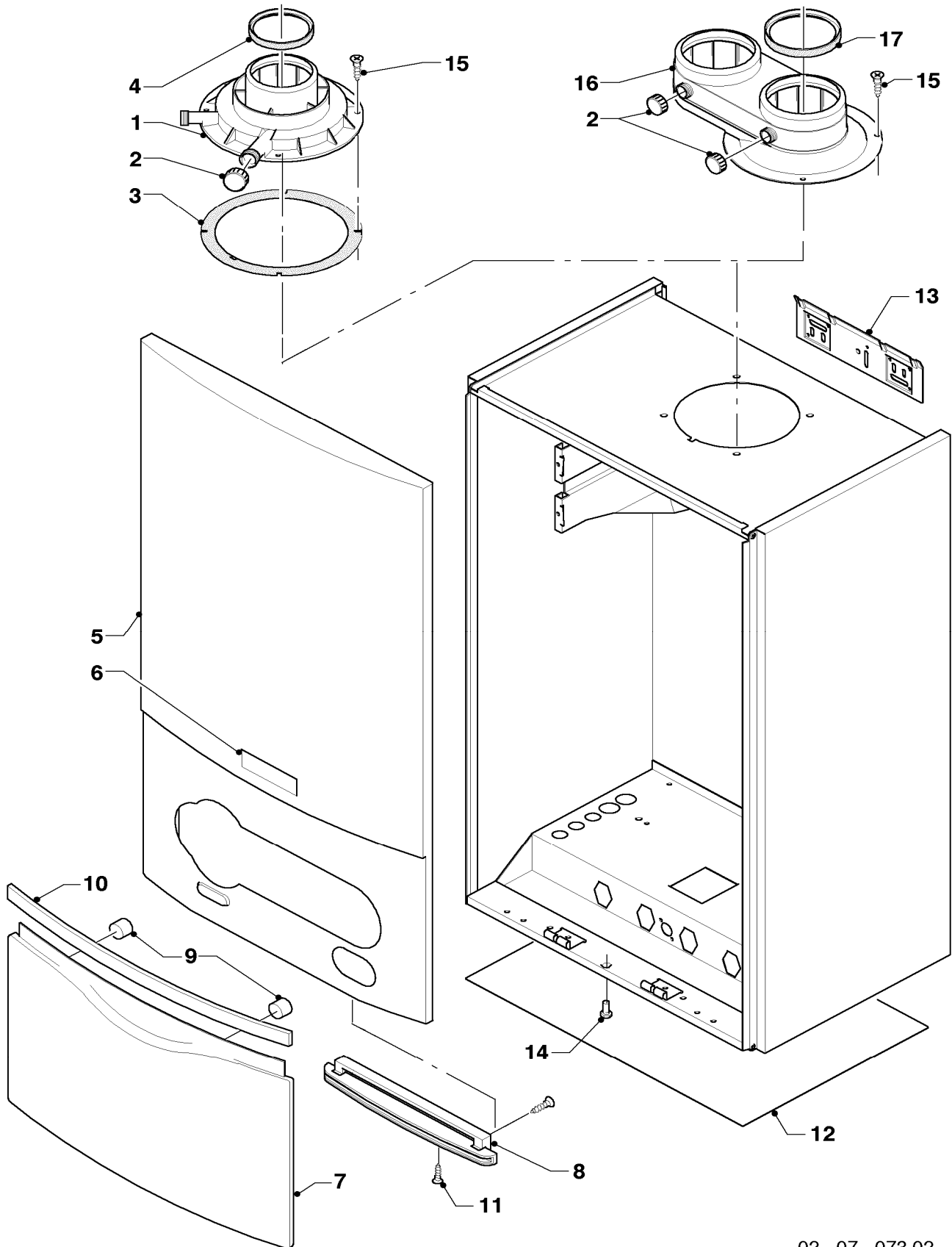
Attention: Please take the gross price from the valid price list !

## 07 Casing parts

ecoTEC pro 24 VUW 246/3-3 R1, R2

ecoTEC pro 28 VUW 286/3-3

ecoTEC pro 28 VUW 286/3-3 R1, R2



02 - 07 - 073.02

## 07 Casing parts

ecoTEC pro 24 VUW 246/3-3 R1, R2

ecoTEC pro 28 VUW 286/3-3

ecoTEC pro 28 VUW 286/3-3 R1, R2

Pos.	Art.-No	Part	Type, note
		02-07-073	
01	180932	Flue adapter 60/100	with parts 02, 03, 04
02	147392	Cap (PK5)	
03	981232	Gasket	
04	981233	Packing ring	
05	180934	Covering	with part 06
06	118096	Badge	
07	-	-	not necessary
08	-	-	not necessary
09	-	-	not necessary
10	-	-	not necessary
11	-	-	not necessary
12	-	-	not necessary
13	180987	Support	
14	105839	Screw (PK10)	
15	500046	Screw	
16	-	-	not necessary
17	-	-	not necessary

Subject to alteration !

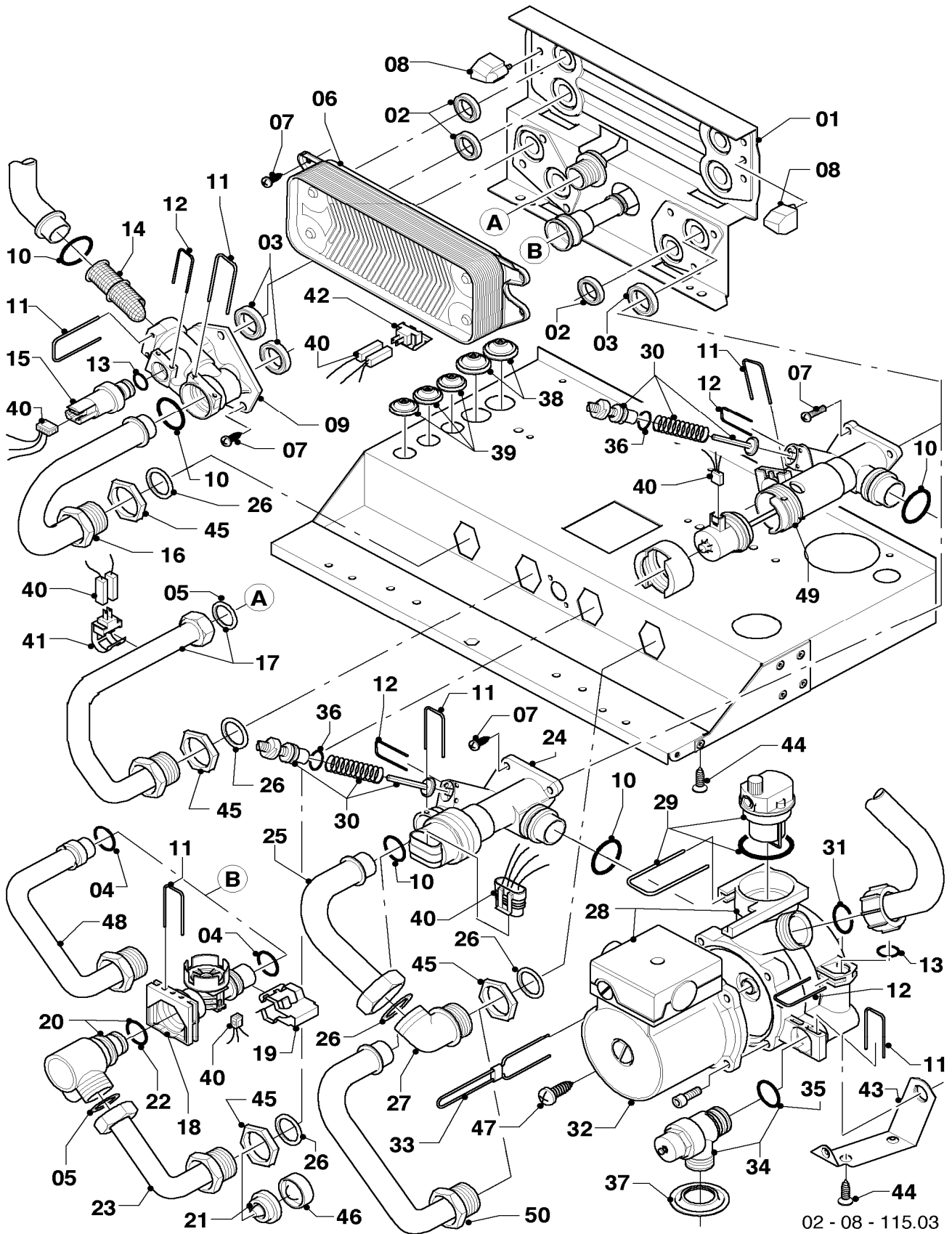
Attention: Please take the gross price from the valid price list !

# 08 Connection parts (Hydroblock)

ecoTEC pro 24 VUW 246/3-3 R1, R2

ecoTEC pro 28 VUW 286/3-3

ecoTEC pro 28 VUW 286/3-3 R1, R2



02 - 08 - 115.03

## 08 Connection parts (Hydroblock)

ecoTEC pro 24 VUW 246/3-3 R1, R2

ecoTEC pro 28 VUW 286/3-3

ecoTEC pro 28 VUW 286/3-3 R1, R2

Pos.	Art.-No	Part	Type, note
		02-08-115	
01	178965	Support	with parts 02, 03, 04, 05, 07, 08, 10, 19, 22, 26, 44
02	178969	Washer (PK10)	
03	193535	Washer (PK10)	
04	178991	O-ring (PK10)	
05	981142	Washer (PK10)	
06	0020020018	Heat exchanger dhw (13 plates)	with parts 02, 07
07	178967	Screw (PK10)	
08	193536	Guide (PK2)	
09	179031	Connection piece	with parts 03, 07, 10, 11, 12, 13, 14
10	193537	O-ring (PK10)	
11	178992	Clip (PK10)	
12	154150	Clip	
13	178993	O-ring (PK10)	
14	179030	Filter	with parts 10, 11
15	0020059717	Sensor (water pressure)	with parts 12, 13
16	179033	Pipe	with parts 10, 26
17	179034	Pipe	with part 26
18	178988	Flow sensor	with parts 04, 11, 19, 22
19	178966	Clip	
20	179032	Connection piece	with parts 05, 11, 22
21	012975	Limiter 8.1l/min	VUW 246/3-3 R1
21	012975	Limiter 8.1l/min	VUW 246/3-3 R2
21	012976	Limiter 9.4l/min	VUW 286/3-3
21	012976	Limiter 9.4l/min	VUW 286/3-3 R1
21	012976	Limiter 9.4l/min	VUW 286/3-3 R2
22	981163	O-ring (PK10)	
23	179037	Pipe	with parts 05, 21, 26, 46
24	178978	Diverter valve	VUW 246/3-3 R1, with parts 02, 03, 07, 10, 11, 12, 30, 36
24	178978	Diverter valve	VUW 286/3-3, with parts 02, 03, 07, 10, 11, 12, 30, 36
24	178978	Diverter valve	VUW 286/3-3 R1, with parts 02, 03, 07, 10, 11, 12, 30, 36
25	179036	Pipe	with parts 10, 26
26	981140	Washer (PK10)	
27	179035	Connection piece	with part 26
28	178983	Pump	with parts 02, 03, 10, 11, 13, 29, 31, 34, 47
29	104521	Automatic air vent	
30	178980	Bypass	with part 12
31	193539	O-ring (PK10)	
32	-	-	not available as spare part, see pos. 28
33	178981	Clip	
34	178985	Pressure relief valve (3 bar)	with part 11
35	-	-	not available as spare part, see pos. 34
36	981165	O-ring (PK10)	
37	980765	Grommet	
38	509120	Packing ring (PK10)	
39	509121	Packing ring (PK10)	
40	193587	Harness	VUW 246/3-3 R1
40	0020018070	Harness	VUW 246/3-3 R2
40	193587	Harness	VUW 286/3-3
40	193587	Harness	VUW 286/3-3 R1
40	0020018070	Harness	VUW 286/3-3 R2

Subject to alteration !

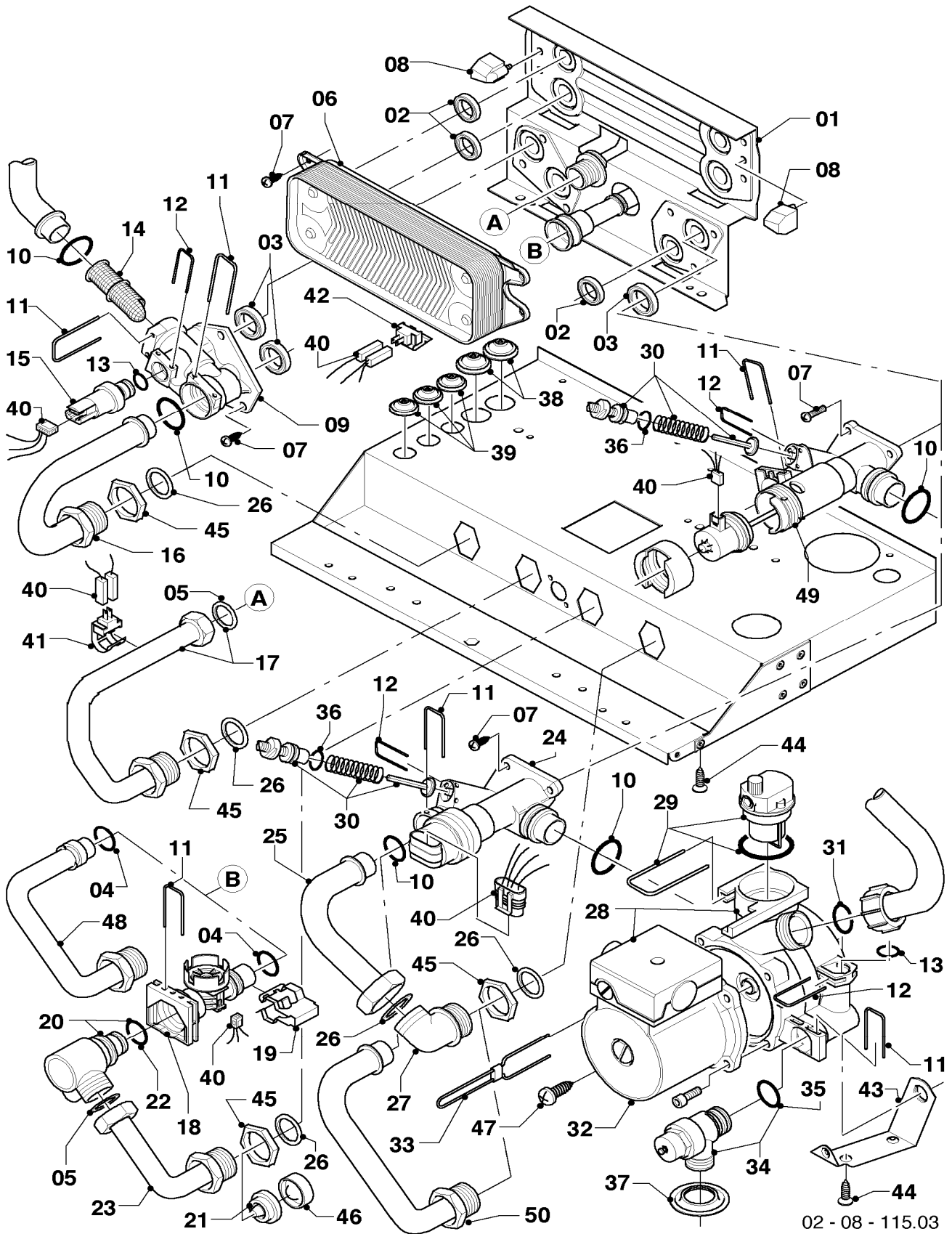
Attention: Please take the gross price from the valid price list !

# 08 Connection parts (Hydroblock)

ecoTEC pro 24 VUW 246/3-3 R1, R2

ecoTEC pro 28 VUW 286/3-3

ecoTEC pro 28 VUW 286/3-3 R1, R2



02 - 08 - 115.03

## 08 Connection parts (Hydroblock)

ecoTEC pro 24 VUW 246/3-3 R1, R2

ecoTEC pro 28 VUW 286/3-3

ecoTEC pro 28 VUW 286/3-3 R1, R2

Pos.	Art.-No	Part	Type, note
		02-08-115	
41	-	-	not necessary
42	103430	NTC sensor (DHW heat exchanger)	heat exchanger
43	178984	Support	
44	235715	Tapping screw (ST 4,8x 9,5) ISO 7049	
45	193598	Nut (PK4)	
46	074514	Filter	
47	235756	Tapping screw (ST 4,8x19)	
48	-	-	not necessary
49	0020020015	Three way valve	VUW 246/3-3 R2, with parts 02, 03, 07, 10, 11, 12, 30, 36
49	0020020015	Three way valve	VUW 286/3-3 R2, with parts 02, 03, 07, 10, 11, 12, 30, 36
50	-	-	not necessary

Subject to alteration !

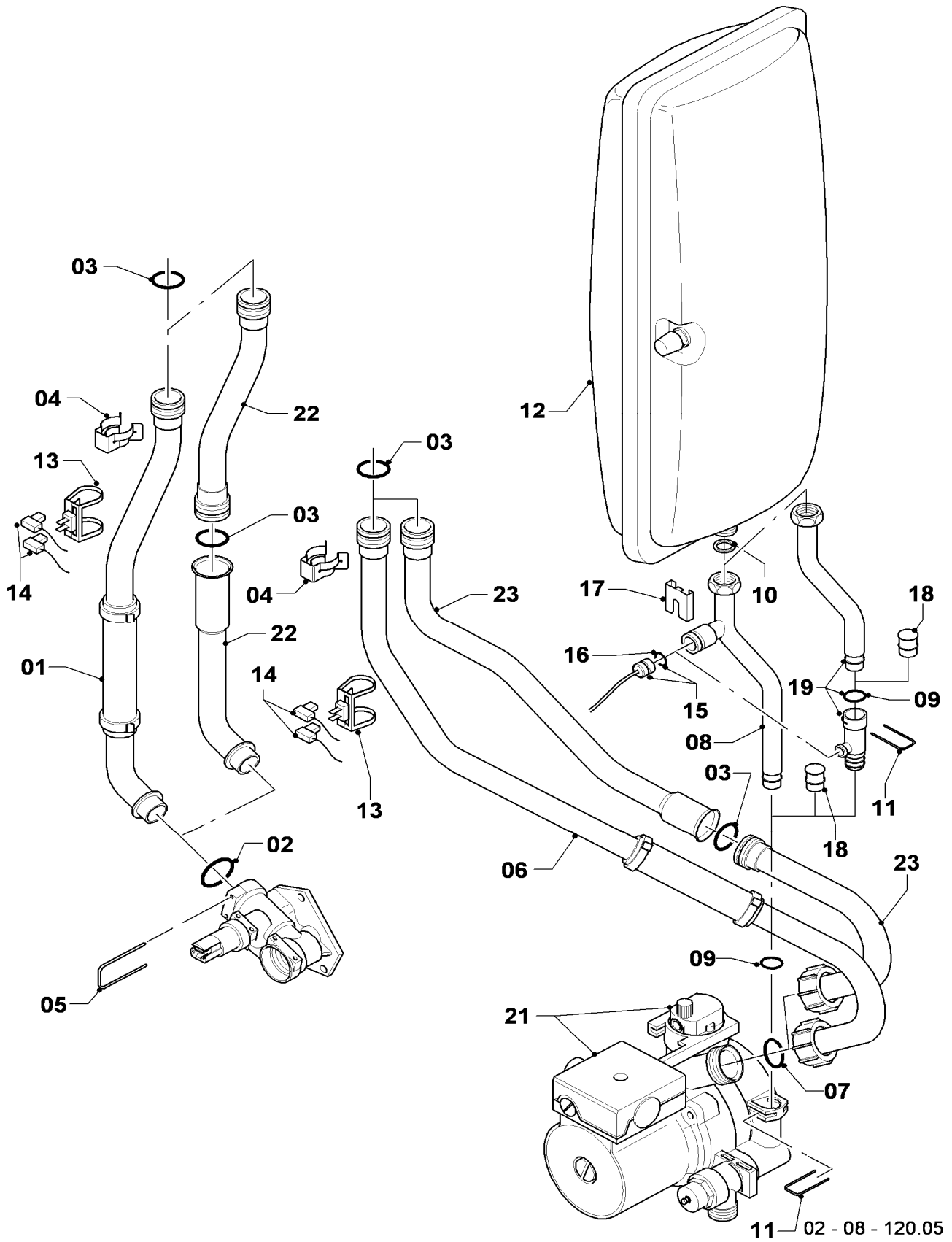
Attention: Please take the gross price from the valid price list !

## 08a Connection parts

ecoTEC pro 24 VUW 246/3-3 R1, R2

ecoTEC pro 28 VUW 286/3-3

ecoTEC pro 28 VUW 286/3-3 R1, R2





## 08a Connection parts

ecoTEC pro 24 VUW 246/3-3 R1, R2

ecoTEC pro 28 VUW 286/3-3

ecoTEC pro 28 VUW 286/3-3 R1, R2

Pos.	Art.-No	Part	Type, note
		02-08-120	
01	-	-	180946 no longer available, see pict. no. 22
02	193537	O-ring (PK10)	
03	103415	O-ring (PK10)	
04	103417	Clip (PK10)	
05	178992	Clip (PK10)	
06	-	-	180948 no longer available, see pict. no. 23
07	193539	O-ring (PK10)	
08	-	-	no longer available, see pict. no. 19
09	178993	O-ring (PK10)	
10	981149	Washer (PK10)	
11	154150	Clip	
12	181051	Expansion vessel	10 Liter
13	193592	Sensor NTC (CH flow/CH return)	
14	193586	Harness	
15	180982	Pressure gauge	
16	981155	O-ring (PK10)	
17	085751	Pressure gauge clip	
18	-	-	not necessary
19	0020025045	Connection tube	with parts 10, 11,16, 17
20	-	-	not necessary
21	178983	Pump	
22	0020068956	Connection tube	with parts 02, 03
23	0020068958	Connection tube	withs parts 02, 07

Subject to alteration !

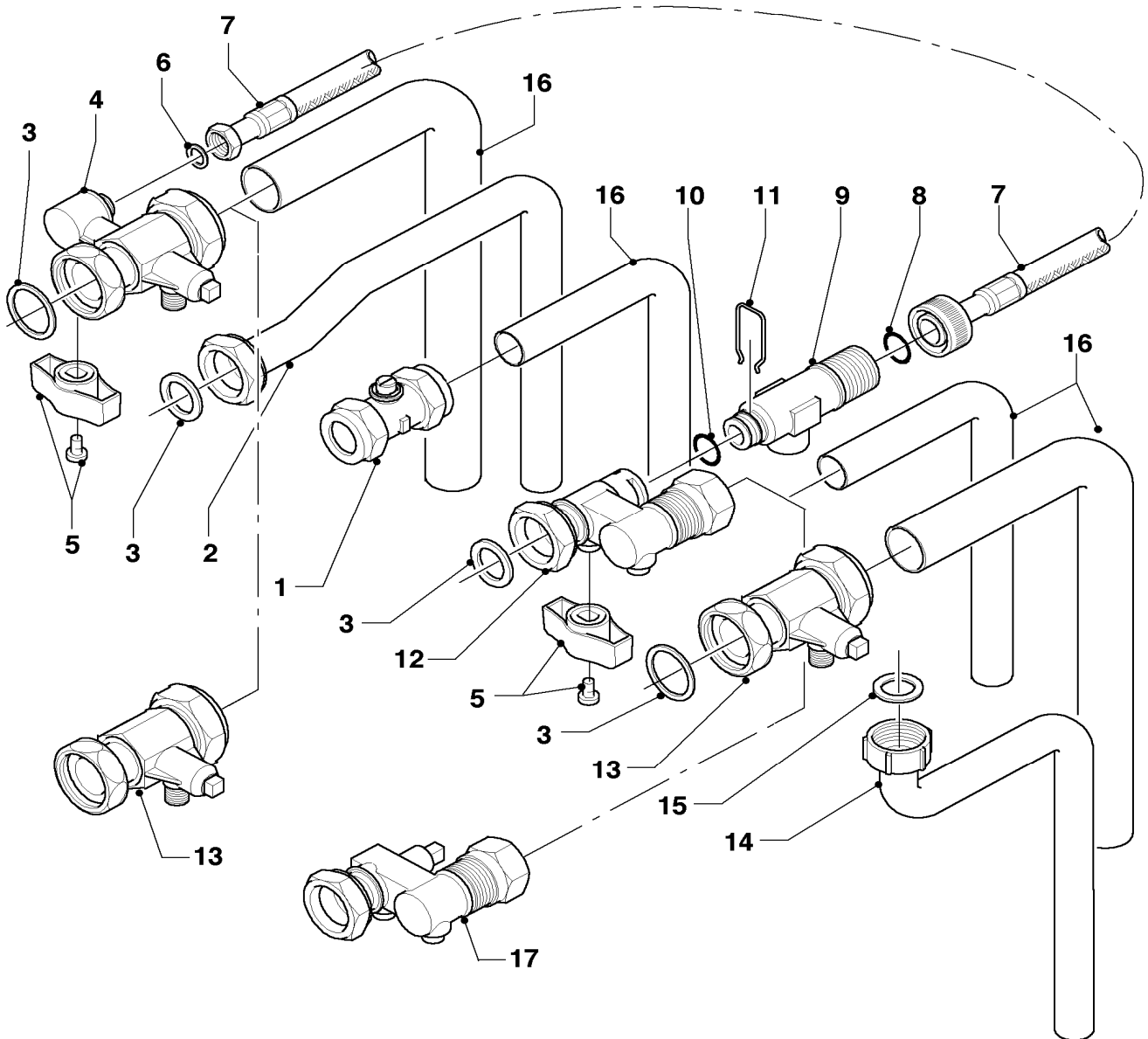
Attention: Please take the gross price from the valid price list !

## 08b Connection parts (Acc.)

ecoTEC pro 24 VUW 246/3-3 R1, R2

ecoTEC pro 28 VUW 286/3-3

ecoTEC pro 28 VUW 286/3-3 R1, R2



02 - 08 - 125.01

## 08b Connection parts (Acc.)

ecoTEC pro 24 VUW 246/3-3 R1, R2

ecoTEC pro 28 VUW 286/3-3

ecoTEC pro 28 VUW 286/3-3 R1, R2

Pos.	Art.-No	Part	Type, note
		02-08-125	
01	082782	Gas shut-off valve	
02	0020010290	Pipe	with part 03
03	981140	Washer (PK10)	
04	-	-	not necessary, see pos. 13
05	-	-	not necessary
06	-	-	not necessary
07	-	-	not necessary
08	-	-	not necessary
09	-	-	not necessary
10	-	-	not necessary
11	-	-	not necessary
12	-	-	not necessary
13	0020010296	Service cock	with part 03
14	0020010297	Pipe	with part 15
15	0020010298	Washer (PK10)	
16	-	-	not available as spare part
17	014714	Valve	

Subject to alteration !

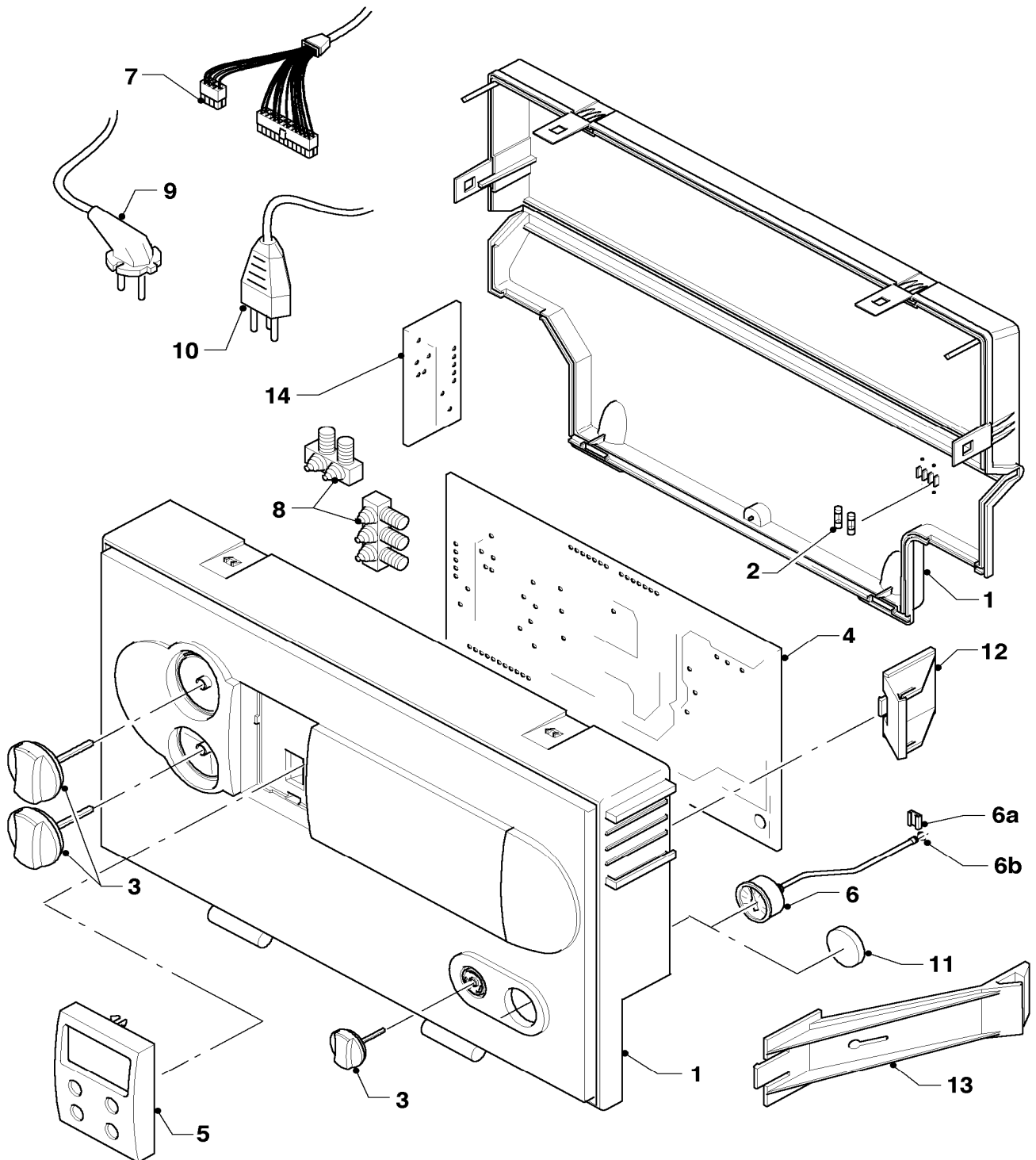
Attention: Please take the gross price from the valid price list !

## 12 Control box

ecoTEC pro 24 VUW 246/3-3 R1, R2

ecoTEC pro 28 VUW 286/3-3

ecoTEC pro 28 VUW 286/3-3 R1, R2



02 - 12 - 046.02

## 12 Control box

ecoTEC pro 24 VUW 246/3-3 R1, R2

ecoTEC pro 28 VUW 286/3-3

ecoTEC pro 28 VUW 286/3-3 R1, R2

Pos.	Art.-No	Part	Type, note
		02-12-046	
01	193582	Casing	with parts 02, 03
02	251955	Fuse 2.0A T (PK10)	2.0 AT
03	117319	Knobs grey (PK3)	
04	0020052093	Printed circuit	with part 02
05	0020040154	Display	
06	180982	Pressure gauge	
06a	085751	Pressure gauge clip	
06b	981155	O-ring (PK10)	
07	193586	Harness	appliance
07	193587	Harness	VUW 246/3-3 R1, hydraulik
07	0020018070	Harness	VUW 246/3-3 R2, hydraulik
07	193587	Harness	VUW 286/3-3, hydraulik
07	193587	Harness	VUW 286/3-3 R1, hydraulik
07	0020018070	Harness	VUW 286/3-3 R2, hydraulik
08	078533	Cable fixation	
09	-	-	not necessary
10	-	-	not necessary
11	-	-	not necessary
12	193583	Support	
13	-	-	not necessary
14	-	-	not necessary

Subject to alteration !

Attention: Please take the gross price from the valid price list !

## Notes

