

# Gas and Electric Fires





## A warm welcome

Nothing creates an inviting atmosphere quite like a Gazco fire. The centrepiece of any home, a Gazco fire adds warmth and character to a room or living space - even if you don't have a chimney!

Whether you want to achieve an up-to-the-minute, contemporary look, or have your heart set on a more traditionally-designed fire, this brochure will help you make the perfect choice, whatever your style or budget.

**GAZCO**  
*Fire Your Imagination*

Front Cover: Studio 3 Edge, Glass Fronted with Log fuel bed with Santiago White fire surround tiles

# Contents

<b>Studio Fires</b>	<b>6</b>
Edge	10
Bauhaus	12
Profil	14
Steel 2	16
Glass	18
Studio 22	20
Andes, Inca & Kepler	24
Sienna	26
Firenza	28
Pienza	30
Gas Riva Vision Stoves	32
<b>Riva2 Fires</b>	<b>34</b>
Riva2 800 Edge	36
Riva2 800 Sorrento	38
Riva2 800 Stone Mantels	40
Riva2 1050 Edge	44
Riva2 1050 Sorrento	46
<b>Riva Fires</b>	<b>48</b>
Riva Avanti	50
Riva Designio	52
Riva Profil 2	54
Riva Spectrum	56
Riva Esprit	58
Riva Vetro	60
Riva Electric	62
Gas F67 Riva Stoves	64
<b>Linea Fires</b>	<b>66</b>
Linea Steel	67
Linea Designio	68
Linea Vetro	70
<b>Inset Fires</b>	<b>72</b>
Logic Fires	74
E-Studio™ & E-Box™ Fires	88
VFC Fires	102
Cast Iron Convector	110
Classic Fireplaces	112
<b>Fire Baskets</b>	<b>114</b>
<b>Custom-built Radiant Fires</b>	<b>122</b>
<b>Your Home &amp; flue requirements</b>	<b>124</b>
<b>Technical Information</b>	<b>126</b>
<b>Important Information</b>	<b>143</b>





# Relax - it's a Gazco Fire

When you choose Gazco, quality and technology are assured. From traditional models to contemporary designs, Gazco is committed to creating the ultimate flame-effect gas and electric fires.

Our research and development laboratories are amongst the most advanced in the world, ensuring that the very latest innovations are incorporated into our appliances.

Additionally, we offer a superb range of solid fuel, gas and electric fire baskets, each one handcrafted using traditional materials such as brass, steel, chrome and cast iron. Many are also offered in a choice of sizes and in a variety of casting shapes or finishes. In fact, there are almost 100 combinations from which to select the perfect fire basket for your fireplace.

Gazco is an ISO9001 accredited company. Our rigorous quality control system ensures that all our appliances comply with British safety standards as well as stringent European regulations. All fires in this brochure are CE marked. This means they have been independently tested to exacting European standards for both heating efficiency & emissions.

Your Gazco retailer will provide you with a Two Year Warranty for your new gas fire. The second year's warranty is subject to the fire being serviced 12 months after installation & excludes certain consumable parts. Full warranty details are available to view at [www.gazco.com](http://www.gazco.com).



## Selecting your Fire

Before you choose your new fire you will need to know what type of chimney (if you have one) or flue you have. Please turn to pages 124-125 to identify your chimney or flue type.





## Expert Retailer Network

We take great care to ensure that our fires and fire baskets are designed, tested and manufactured to the highest possible quality and safety standards. We are just as concerned to make certain that they are sold and installed correctly so that you enjoy years of pleasure from your purchase.

Accordingly, you will find our products are only available from experienced, independent retailers who will enable you to see a selection of models locally in their showrooms, often fully operational: discuss your individual requirements both technical (such as sizing the heat output to your room and advising on your flue type) and design; and ensure that you select the most appropriate product for your home. These retailers will also be able to advise on, or assist with, the installation process as well as providing any after-sales support and servicing your appliance may require in the future.

Whilst we encourage our retailers to promote fireplace products and their outlets via the internet, we do not believe suitable levels of customer care and satisfaction can be obtained from purchasing online and we would strongly recommend that you consider this when undertaking your research and making a purchasing decision. Furthermore, please be aware that we do not offer technical support (beyond our statutory responsibilities) to products bought via nationwide online sales, where this support would normally be offered by one of our qualified, independent retailers.

# Studio Fires

Breathtaking! There really is no better way to describe our stunning Studio fires, with a wealth of design options complemented by a choice of sizes and fuel bed effects, these beautifully contemporary fires will add instant style and presence to any modern interior.



There is a choice of three fire styles in the range: Open Fronted with white stone fuel bed, Glass Fronted with white stone fuel bed and Glass Fronted log-effect fuel bed. Our near invisible Glass Fronted fires boast greatly increased heating efficiency whilst maintaining all the style of the Open Studios. They are also available in a balanced flue option making them perfect for many homes, even those without a chimney!

According to model, there is also a choice of three sizes in perfectly proportioned landscape form, allowing you to achieve that dramatic look in both the smallest and the largest of interiors! Then there are the visually diverse Studio 22 fires with their innovative portrait shape. These stunning fires inspire a whole host of new decorative styles and are testament to Gazco's continued investment into inspired product design.



## Open Studio - White Stone Fuel Bed

All Open Studio fires incorporate Gazco's ultra contemporary flame-effect: a single ribbon of modulating flames dancing over a bed of small white stones, beautifully reflected by the stainless front plate. There is also the additional option for a polished black granite interior to further increase the reflective qualities of the fire. Open Studios are one of the few gas fires on the market that allow the possibility of installing a Plasma or LCD television above them for a great visual centrepiece. Please see page 127 for full details.



## Glass Fronted Studio - White Stone Fuel Bed\*

Glass Fronted Studios benefit from greatly increased heat output, boasting up to 81% efficiency. The standard features of the Studio Open are also incorporated into this fire choice, including the white stone and ribbon flames. According to fire size, there are options for both conventional and balanced flue installations, making the Studio perfect for many homes - even those without a chimney!



## Glass Fronted Studio - Log Effect Fuel Bed\*

This latest addition to the Studio range also offers increased efficiency, but with the additional benefit of a special heat-retaining lining for storing and radiating heat. This choice is for those who want the modern styling that only comes with a Studio whilst maintaining a more traditional feel to the fire, due to a highly realistic log-effect fuel bed beautifully displayed behind a near invisible glass window. Highlighting the log-effect is a lighter coloured interior, in contrast to the black contemporary interior of the white stone versions. This version is available in both balanced flue and conventional flue variants.



\*Please note that due to the higher efficiency of the Glass Fronted Studio's, Gazco does not recommend installing any televisions above these fires.

## Remote Controls

All fires in the Studio range are supplied with a state-of-the-art Sequential remote control as standard, allowing you to operate everything from ignition to flame height and heat output from the comfort of your sofa. For the Glass Fronted Studios the Programmable Sequential remote also includes the additional benefit of a programmable timer and thermostatic controls, ensuring that, whenever you return home your house will always be warm and welcoming if you choose to set them.

Should you mislay your hand set, Studio fires also come complete with a flat Touch Control panel that can be discreetly wall mounted up to 2500mm away from the fire, allowing you to ignite, extinguish and control the flame height with ease.





# Studio Sizes

According to model, the outstanding Studio fires range is available in up to four different sizes, offering greater installation possibilities to interiors of all proportions. With three landscape sizes and the latest portrait option, the beautifully designed Studio fires are the perfect blend of versatility and style.



## Studio 1

According to model, the landscape Studio 1 is available as an Open Fronted model with White Stone fuel bed or Glass Fronted version, which has the additional choices of a realistic log-effect fire and balanced flue option. The Studio 1 Open Fronted produces a heat output of up to 1.72kW whilst the Glass Fronted boasts greatly increased efficiency and has a heat output of up to 5.20kW.



## Studio 2

The landscape Studio 2, according to model, is also available as an Open Fronted version with White Stone fuel bed or Glass Fronted version, which has the additional choices of a realistic log-effect fire and balanced flue option. The Studio 2 fires, being wider, produce greater heat outputs than those of the Studio 1; up to 2.30kW is offered by the Open Fronted whilst the Glass Fronted fires produce up to 6.97kW.



## Studio 3

According to model, the Studio 3, the largest in the range, is available in Open Fronted or Glass Fronted versions. The Studio 3 Open Fronted produces a heat output of up to 3.40kW and is only available with White Stone fuel bed, whilst the Studio 3 Glass Fronted has the additional option of the realistic log-effect fire choice. Due to its impressive 7.30kW of heat output, the Glass Fronted is for balanced flue installations only, making it perfect for homes that do not even have a chimney!



## Studio 22

There are four portrait Studio 22 models to choose from which add instant presence. Available with a highly realistic Log fuel bed and balanced flue installation, the Glass Fronted Studio 22 produces up to 5.85kW of heat output offering great efficiency as well as style.



*Heat output and efficiency figures are based upon the maximum heat output achieved in the options available for each model. For complete technical information please refer to the technical section at the rear of this brochure.*



# Studio Edge



The very latest in fire design. It is hard not to warm to the outstanding modern appeal of the Studio fires. Specially designed for contemporary living, this stunning 'hole in the wall' fire creates a visual delight in any living space. Its central feature is a modulating single ribbon of living flame that dances above a bed of white stones or through a realistic log-effect display, which boasts increased efficiency due to a special heat-retaining lining. Extra reflection is provided for the white stone option by the sparkling stainless steel front plate, giving the overall effect of cosy winter warmth with unbeatable flair.



The Studio Edge is for those who require minimalist modern perfection. The fire has an eye-catching no-frame\* design, with the option on the Open Fronted Studio fires of a polished black granite interior lining. The mirror-like qualities of this lining reflect the continuous motion of the flames. Glass Fronted versions that incorporate the white stone fuel bed have enamelled linings as standard to enhance the beautiful flame picture.

### Fuel Bed

White Stones  
Logs (Glass Fronted only)

### Command Controls

Sequential remote

Studio 2 Edge, Open Fronted\*\* with White Stone fuel bed

Fire Choices	E%	kW†	Chimney Options			Dimensions <sup>Δ</sup> w x h (mm)
			1	2	BF	
Studio 1 – Open	25%	1.72kW	✓	✓	✗	660 x 334
Studio 1 – Glass Fronted	70%	4.85kW	✓	✓	✗	752 x 428
Studio 1 – Glass Fronted Balanced Flue	81%	5.20kW	✗	✗	✓	745 x 416
Studio 2 – Open	25%	2.30kW	✓	✓	✗	860 x 334
Studio 2 – Glass Fronted	78%	6.85kW	✓	✓	✗	952 x 428
Studio 2 – Glass Fronted Balanced Flue	81%	6.97kW	✗	✗	✓	945 x 416
Studio 3 – Open	25%	3.40kW	✓	✓	✗	1250 x 334
Studio 3 – Glass Fronted Balanced Flue	81%	7.30kW	✗	✗	✓	1335 x 416

Studio 22 Edge available, please see page 20.

\* No-frame refers to added exterior frames. Glass Fronted Studios have an additional 27mm inner frame that secures the glass window in place.

\*\* For detailed information on installing televisions above Open Studio Fires, please see page 127. For Glass Fronted Studio Edge installation requirements, please see page 131.

† Efficiency figures given are based upon the maximum heat output achieved in the options available for this model. For complete technical information, including flue gather requirements, please see pages 127-131.

Δ Overall visible dimensions upon installation. For more detailed information, including firebox dimensions, please see pages 127-131.



Studio 3 Edge, Open Fronted with White Stone fuel bed



Studio 1 Bauhaus, Open Fronted in Anthracite finish with White Stone fuel bed

# Studio Bauhaus

The Studio Bauhaus has the same fire bed options and innovative features as the other Studio fires, whilst individually boasting a classic three dimensional tapered frame. This frame comes in two finishes and is offered on all sizes of Studio fires, enabling you to perfectly match the Bauhaus to the size and style of your room. Furthermore, every Studio fire comes complete with Gazco's very latest Sequential remote control so you can operate everything from ignition to heat output without moving from your seat.



### Colour Choices

- Anthracite
- Polished Stainless

### Fuel Bed

- White Stones
- Logs (Glass Fronted only)

### Command Controls

- Sequential remote

Fire Choices	E%	kW†	Chimney Options			BF	Dimensions <sup>Δ</sup> w x h (mm)
			1	2			
Studio 1 – Open	25%	1.72kW	✓	✓	✗	764 x 439	
Studio 1 – Glass Fronted	70%	4.85kW	✓	✓	✗	860 x 534	
Studio 1 – Glass Fronted Balanced Flue	81%	5.20kW	✗	✗	✓	850 x 524	
Studio 2 – Open	25%	2.30kW	✓	✓	✗	964 x 439	
Studio 2 – Glass Fronted	78%	6.85kW	✓	✓	✗	1060 x 534	
Studio 2 – Glass Fronted Balanced Flue	81%	6.97kW	✗	✗	✓	1050 x 524	
Studio 3 – Open	25%	3.40kW	✓	✓	✗	1354 x 439	
Studio 3 – Glass Fronted Balanced Flue	81%	7.30kW	✗	✗	✓	1440 x 524	

Studio 22 Bauhaus available, please see pages 20-21 and picture on page 8.

† Efficiency figures given are based upon the maximum heat output achieved in the options available for this model. For complete technical information, including flue gather requirements, please see pages 127-131.

Δ Overall visible dimensions upon installation. For more detailed information, including firebox dimensions, please see pages 127-131.





Studio 2 Bauhaus Conventional Flue, Glass Fronted in Polished Stainless Steel with Log effect fuel bed





# Studio Profil

The Studio Profil features ultra contemporary styling that fits in perfectly with all modern interiors. Furthermore, the Studio Profil offers you two stunning frame choices and is available in all sizes and fuel types of Studio fires. For the Glass Fronted Studio 1, 2 and 3 fires there is the option to have the highly realistic log effect fuel bed, boasting increased heating efficiency due to its heat-retaining lining\*. All this, and the Studio standard features such as Sequential remote control.



Studio 1 Profil, Open Fronted\*\* in Polished Stainless Steel with White Stone fuel bed



### Colour Choices

- Anthracite
- Polished Stainless

### Command Controls

- Sequential remote

### Fuel Bed

- White Stones
- Logs (Glass Fronted only)

Fire Choices	E% <sup>‡</sup>	kW <sup>†</sup>	Chimney Options			Dimensions <sup>Δ</sup> w x h (mm)
			1	2	BF	
Studio 1 – Open	25%	1.72kW	✓	✓	✗	750 x 426
Studio 1 – Glass Fronted	70%	4.85kW	✓	✓	✗	846 x 520
Studio 1 – Glass Fronted Balanced Flue	81%	5.20kW	✗	✗	✓	836 x 510
Studio 2 – Open	25%	2.30kW	✓	✓	✗	950 x 426
Studio 2 – Glass Fronted	78%	6.85kW	✓	✓	✗	1046 x 520
Studio 2 – Glass Fronted Balanced Flue	81%	6.97kW	✗	✗	✓	1036 x 510
Studio 3 – Open	25%	3.40kW	✓	✓	✗	1340 x 426
Studio 3 – Glass Fronted Balanced Flue	81%	7.30kW	✗	✗	✓	1426 x 510

Studio 22 Profil available, please see page 20.

\* Heat-retaining lining for log fuel bed only.

\*\* For detailed information on installing televisions above Open Studio Fires, please see page 127.

† Efficiency figures given are based upon the maximum heat output achieved in the options available for this model, for complete technical information, including flue gather requirements, please see pages 127-131.

Δ Overall visible dimensions upon installation. For more detailed information, including firebox dimensions, please see pages 127-131.



## Studio Steel 2

The Studio Steel 2 is for those with large spaces who wish to create a greater presence with their choice of fireplace. The Studio Steel 2's wide frame instantly creates a distinctive and individual focal point that can be further heightened by your choice of frame size and colour. Operation is simplicity itself, as Gazco's Sequential remote control takes care of everything from ignition to flame height adjustment.



Studio 1 Steel 2, Open Fronted in Iridium with White Stone fuel bed

### Colour Choice

Graphite  
Iridium

### Fuel Bed

White Stones  
Logs (Glass Fronted only)

### Command Controls

Sequential remote

Fire Choices	E%	kW †	Chimney Options			Dimensions <sup>Δ</sup> w x h (mm)
			1	2	BF	
Studio 1 – Open	25%	1.72kW	✓	✓	✗	1118 x 478
Studio 1 – Glass Fronted	70%	4.85kW	✓	✓	✗	1264 x 528
Studio 1 – Glass Fronted Balanced Flue	81%	5.20kW	✗	✗	✓	1264 x 528
Studio 2 – Open	25%	2.30kW	✓	✓	✗	1354 x 508
Studio 2 – Glass Fronted	78%	6.85kW	✓	✓	✗	1500 x 528
Studio 2 – Glass Fronted Balanced Flue	81%	6.97kW	✗	✗	✓	1500 x 528
Studio 3 – Open	25%	3.40kW	✓	✓	✗	1844 x 528
Studio 3 – Glass Fronted Balanced Flue	81%	7.30kW	✗	✗	✓	1990 x 528

Studio 22 Steel available, please see page 20.

† Efficiency figures given are based upon the maximum heat output achieved in the options available for this model, for complete technical information, including flue gather requirements, please see pages 127-131.

Δ Overall visible dimensions upon installation. For more detailed information, including firebox dimensions, please see pages 127-131.







Studio 2 Steel 2, Glass Fronted in Graphite with Log effect fuel bed





# Studio Glass

Sleek, chic and shining, the black Glass is the latest frame to grace the Studio gas fires range, offering you a striking focal point around which you can create your own distinctive interior.

Available in three sizes of open and glass fronted versions, and with a choice of white stones or log-effect fuel beds, there's an ultra contemporary Studio Glass to offer instant impact whatever your room size.

### Colour

Black Glass

### Command Controls

Sequential remote

### Fuel Bed

White Stones

Logs (Glass Fronted only)



Studio 2 Glass, Glass Fronted with white stone fuel bed



Fire Choices	E%	kW†	Chimney Options			Dimensions <sup>Δ</sup> w x h (mm)
			1	2	BF	
Studio 1 – Open	25%	1.72kW	✓	✓	✗	1264 x 528
Studio 1 – Glass Fronted	70%	4.85kW	✓	✓	✗	1264 x 528
Studio 1 – Glass Fronted Balanced Flue	81%	5.20kW	✗	✗	✓	1264 x 528
Studio 2 – Open	25%	2.30kW	✓	✓	✗	1500 x 528
Studio 2 – Glass Fronted	78%	6.85kW	✓	✓	✗	1500 x 528
Studio 2 – Glass Fronted Balanced Flue	81%	6.97kW	✗	✗	✓	1500 x 528
Studio 3 – Open	25%	3.40kW	✓	✓	✗	1990 x 528
Studio 3 – Glass Fronted Balanced Flue	81%	7.30kW	✗	✗	✓	1990 x 528

\*\* For detailed information on installing televisions above Open Studio Fires, please see page 127.

† Efficiency figures given are based upon the maximum heat output achieved in the options available for this model, for complete technical information, including flue gather requirements, please see pages 127-131.

Δ Overall visible dimensions upon installation. For more detailed information, including firebox dimensions, please see pages 127-131.



Studio 22 Steel in Graphite



Studio 22 Profil in Anthracite



## Studio 22

The stunning Glass Fronted Studio 22 is the latest addition to the successful Studio fires range, offering yet another approach to ultra contemporary styling. Specifically designed to add vertical definition, this portrait fire will instantly become a focal point in any modern interior.

All Studio 22 fires feature our stunning log-effect fuel bed which incorporates a special heat-retaining lining, adding to the fires performance and energy efficiency. It incorporates Studio features such as Sequential remote control, allowing you to operate everything from ignition to heat output at just the push of a button, and flat Touch Control panel which can be discreetly located up to 2500mm away from the fire.

### Colour Choice

- Anthracite (Studio 22 Bauhaus & Profil)
- Polished Stainless (Studio 22 Bauhaus & Profil)
- Graphite (Studio 22 Steel)
- Iridium (Studio 22 Steel)
- Natural Limestone (Studio 22 Sorrento)
- Graphite Limestone (Studio 22 Sorrento)

### Fuel Bed

Logs

### Command Controls

Sequential remote

### Chimney Options

### Fire Choices

	E%	kW†	1	2	BF
Studio 22 – Glass Fronted Balanced Flue	78%	5.85kW	X	X	✓

### Dimensions<sup>Δ</sup> w x h (mm)

Edge	423 x 1029
Profil	510 x 1036
Bauhaus	524 x 1050
Steel	675 x 1320
Sorrento	914 x 1290

† Efficiency figures given are based upon the maximum heat output achieved in the options available for this model, for complete technical information, please see pages 127-131.

Δ Overall visible dimensions upon installation. For more detailed information, including firebox dimensions, please see pages 127-131.





Studio 22 Bauhaus in Polished Stainless Steel shown with Black Galaxy Granite fire surround tiles.





## Studio 22 (contd.)

With five model choices available, from the 'hole in the wall' Edge, with its no-frame design\*, to the visually impressive Sorrento stone surround in Graphite Limestone (shown below), the Studio 22 offers many style choices to greatly expand your interior possibilities.

Another advantage of the Sorrento Stone surround with the Studio is its ease of installation. The Sorrento surround reduces the depth of the installation to only one course of brickwork, thus reducing installation costs.

*\* No-frame refers to added exterior frames. All Studio 22 fires have a visible 27mm inner frame that secures the glass window in place.*



Studio 22 with Sorrento frame in Graphite Limestone



Studio 1 Kepler, Open with White Stone fuel bed



Studio 2 Inca, Open with White Stone fuel bed

## Studio Andes, Inca & Kepler

The Studio Andes, Inca and Kepler offer a beautiful natural design statement. Available only with the Open Fronted 1 and 2 Studios, these eye-catching solid timber frames cannot fail to impress as they surround a real gas fire with a choice of Walnut and Oak\*. Perfectly crafted to fit in with the latest wood designs, these innovative fires perfectly complement many of the current popular interior design concepts.

### Wood Choice

Andes - Walnut centre with stained Oak edges\*  
 Inca - Walnut quarters\*  
 Kepler - Solid Walnut\*

### Fuel Bed

White Stones


### Command Controls

Sequential remote

\* Wood is a natural material. There will be variations in shading and, occasionally, knots in the timbers used.

### Chimney Options

### Fire Choices

		E% <sup>†</sup>	kW <sup>†</sup>	1	2	BF
Studio 1 – Open Fronted		25%	1.72kW	✓	✓	✗
Studio 2 – Open Fronted		25%	2.30kW	✓	✓	✗

### Dimensions<sup>Δ</sup> w x h (mm)

Andes - Studio 1	1332 x 497
Inca - Studio 1	1200 x 559
Kepler - Studio 1	1332 x 497
Andes - Studio 2	1532 x 497
Inca - Studio 2	1400 x 559
Kepler - Studio 2	1532 x 497

For detailed information on installing televisions above Open Studio Fires, please see page 127.

<sup>†</sup> Efficiency figures given are based upon the maximum heat output achieved in the options available for this model, for complete technical information, including flue gather requirements, please see pages 127-131.

<sup>Δ</sup> Overall visible dimensions upon installation. For more detailed information, including firebox dimensions, please see pages 127-131.







Studio 2 Andes, Open with White Stone fuel bed





# Studio Sienna

The latest addition in the Studio Open family, the Studio Sienna offers another natural option when choosing your perfect fire. Precision cut from solid Travertine\*, this beautiful stone frame brings a timeless elegance to the Studio fire that will be equally at home in both contemporary or traditional interiors.

Available in a choice of two sizes of Open Fronted Studio with a modulating ribbon of living flame. The Sienna features a reflective stainless front plate and optional polished black granite interior. Simply operated by the innovative Sequential remote, you can now sit back, relax and control everything at just the touch of a button. Style has never been so effortless!

#### Stone Choice

Travertine\*

#### Fuel Bed

White Stones

#### Command Controls

Sequential remote

\* Stone is a natural material and therefore each fire will have unique variations in the shading and patterning that occur in the stone used.



Studio 1 Sienna, Open Fronted with White Stone fuel bed



Studio 2 Sienna, Open Fronted detail

Fire Choices	E% ⊞	kW †	Chimney Options			Dimensions <sup>Δ</sup> w x h (mm)
			1	2	BF	
Studio 1 – Open	25%	1.72kW	✓	✓	✗	1200 x 600
Studio 2 – Open	25%	2.30kW	✓	✓	✗	1500 x 600

For detailed information on installing televisions above Open Studio Fires, please see page 127  
 † Efficiency figures given are based upon the maximum heat output achieved in the options available for this model, for complete technical information, including flue gather requirements, please see pages 127-131.

Δ Overall visible dimensions upon installation. For more detailed information, including firebox dimensions, please see pages 127-131.



# Studio Firenze

Also available in two sizes of Open Fronted Studio, the Studio Firenze is designed for maximum visual impact in your living space. The dark natural Granite\* adds a solid quality whilst beautifully contrasting with the fluid motion of the flickering ribbon flames.

Within the fire, the white stone fuel bed entices the eye whilst the stainless front plate and optional polished black granite interior reflects and intensify the perpetual motion of the flames.

For a fire that leaves a lasting impression, look no further than the Studio Firenze!



Studio 1 Firenze, Open Fronted with White Stone fuel bed



Studio 2 Firenze, Open Fronted detail

**Stone Choice**  
Granite\*

**Fuel Bed**  
White Stones

**Command Controls**  
Sequential remote

\* Stone is a natural material and therefore each fire will have unique variations in the shading and patterning that occur in the stone used.

Fire Choices	E%	kW †	Chimney Options			Dimensions <sup>Δ</sup> w x h (mm)
			1	2	BF	
Studio 1 – Open 	25%	1.72kW	✓	✓	✗	1200 x 600
Studio 2 – Open	25%	2.30kW	✓	✓	✗	1500 x 600

For detailed information on installing televisions above Open Studio Fires, please see page 127  
 † Efficiency figures given are based upon the maximum heat output achieved in the options available for this model, for complete technical information, including flue gather requirements, please see pages 127-131.

Δ Overall visible dimensions upon installation. For more detailed information, including firebox dimensions, please see pages 127-131.









# Studio Pienza

The beautiful Studio Pienza blends the subtle textures and delicate tones of natural stone\* with the very latest in fireplace design. Precision cut from a single piece of Limestone\*, the refined Pienza was created in the pursuit for design perfection.

From the visually stunning ribbon of living flames to the Sequential remote control, the Studio Pienza comes with all the features of the Open Fronted Studio's and is available in two sizes enabling you to bring a sense of opulence to interiors of all proportions.



Studio 2 Pienza, Open Fronted with White Stone fuel bed



Studio 1 Pienza, Open Fronted detail

### Stone Choice

Limestone\*

### Fuel Bed

White Stones

### Command Controls

Sequential remote

\* Stone is a natural material and therefore each fire will have unique variations in the shading and patterning that occur in the stone used.

Fire Choices	E% 📧	kW <sup>†</sup>	Chimney Options			Dimensions <sup>Δ</sup> w x h (mm)
			1	2	BF	
Studio 1 – Open	25%	1.72kW	✓	✓	✗	1200 x 600
Studio 2 – Open	25%	2.30kW	✓	✓	✗	1500 x 600

For detailed information on installing televisions above Open Studio Fires, please see page 127.

† Efficiency figures given are based upon the maximum heat output achieved in the options available for this model, for complete technical information, including flue gather requirements, please see pages 127-131.

Δ Overall visible dimensions upon installation. For more detailed information, including firebox dimensions, please see pages 127-131.



Gas Riva Vision stove with white stone fuel bed on 1400 high bench.



## Gas Riva Vision Stoves

Sporting an eye-catching glass fronted door and integral glass plinth, the high quality Gas Riva Vision is a sparkling new addition to the Gazco range. Available with your choice of either white stone or realistic log-effect fuel beds and versions for both conventional and balanced flue installations, the high efficiency Gas Riva Vision even comes complete with fully Sequential remote. This gives you complete control, allowing full operation from ignition to programmable, thermostatic and timer controls, all from the comfort of your sofa.

To further increase your interior design possibilities, why not also opt for a contemporary stove bench or black gloss flue pipe (conventional flue only) - the perfect complement to this stylish freestanding fire.

### Colour

Black Glass

### Command Controls

Sequential remote

### Fuel Bed

White Stones

Logs

### Chimney Options

#### Fire Choices

		E%	kW †	1	2	BF
Gas Riva Vision		70%	4.85kW	✓	✓	✗
Gas Riva Vision BF		81%	5.20kW	✗	✗	✓

For complete technical information, please see the Gazco Stoves brochure.

† Efficiency figures given are based upon the maximum heat output achieved in the options available for this model.







Gas Riva Vision stove with Log effect fuel bed.

# Riva2 Fires

Building on the popularity of Gazco's well-established Riva range, the two new Riva2 models take larger-sized gas fires to a new level with high efficiencies and striking looks.





## Riva2 800

Designed to provide a superb focal point in any living space, the Riva2 takes gas fire development to a new level. Stunningly realistic logs and flames behind virtually invisible glass and fully Sequential remote controls combine to offer the epitome of convenient, high efficiency heating.



## Riva2 1050

The landscape version of the Riva2 can be hearth mounted or installed as a 'hole in the wall' fire. It delivers radiant heat directly from the large ceramic glass front and convected heat warms the room through vents in the sides of the false chimney breast (constructed to house the appliance).



## Remote Control

Riva2 fires come complete with state-of-the-art programmable Sequential remote control as standard. This allows remote operation of everything from ignition to extinguish as well as incorporating the benefits of a programmable timer and thermostat.



Sequential  
(supplied with Riva2)



Flat Touch  
control panel



# Riva2 800 Edge

Developed for those who want the visual impact and heat of a flaming log fire without the inconvenience of carrying logs and removing ash, the Riva2 800 Edge offers high efficiency in a frameless gas fire.

The frameless look allows you to create a more minimalist décor, choosing tiles or wall colours and finishes to maximise the overall impression of dimension and space. Gazco offers a range of fireplace surround packages to go with the Riva2 Edge fires which are shown in our separate Fireplace Surround Packages brochure. This can be viewed or downloaded at [www.gazco.com](http://www.gazco.com).




Riva2 800 BF Edge shown with Bari Mocha fire surround tiles

Riva2 fires are available as balanced flue fires only, however, they can be installed into a conventional chimney by using the optional Riva2 renovation kit. Details of this can be found on page 134.

**Fuel Bed**  
Logs

**Command Controls**  
Sequential remote

Fire Choices	E%	kW <sup>†</sup>	Chimney Options			Dimensions <sup>Δ</sup> w x h (mm)
			1	2	BF	
Riva2 800 Balanced Flue 	82%	7.38kW	X	X	✓	870 x 760

<sup>†</sup> Efficiency figures given are based upon the maximum heat output achieved in the options available for this model, for complete technical information, please see pages 132-134.  
<sup>Δ</sup> Overall visible dimensions upon installation. For more detailed information, including firebox dimensions, please see pages 132-134.





Riva2 800 BF Edge shown with Santiago White fire surround tiles





# Riva2 800 Sorrento

The Sorrento surround has been designed to contrast the timeless beauty of natural stone against the advanced technology of the new Riva2 800. The simple lines of the surround and hearth provide the perfect frame to the warming glow of the highly realistic log fire, establishing a true focal point in your room.

Operation is impressive too, with all functions operated by the fully Sequential remote control.

Riva2 fires are available as balanced flue fires only, however, they can be installed into a conventional chimney by using the optional Riva2 renovation kit. Details of this can be found on page 134.



Riva2 800 in Sorrento Natural Limestone frame detail

### Frame Styles

Natural Limestone  
Graphite Limestone

### Fuel Bed

Logs

### Command Controls

Sequential remote

Fire Choices	E%	kW†	Chimney Options			Dimensions <sup>Δ</sup> w x h (mm)
			1	2	BF	
Riva2 800 Balanced Flue	82%	7.38kW	X	X	✓	1260 x 1009

† Efficiency figures given are based upon the maximum heat output achieved in the options available for this model, for complete technical information, please see pages 132-134.

Δ Overall visible dimensions upon installation (including integral hearth). For more detailed information, including firebox dimensions, please see pages 132-134.



Riva2 800 in Sorrento Graphite Limestone frame



# Riva2 Stone Mantels

The Riva2 800 can also be combined with your choice of elegant stone mantel. There are six designs to suit both traditional interiors and more modern decorative styles. Each is available in either the clean look of antique white marble or the gentle warmth of natural limestone and features hand-finished craftsmanship that provides the highest levels of aesthetic and tactile appeal.

Enjoy all the delights of a highly realistic log fire framed within the mantel, fully operational from the comfort of your favourite armchair using the Sequential remote control. So it's easy to turn off or on and to adjust the heat at the touch of a button.

Riva2 fires are available as balanced flue fires only, however, they can be installed into a conventional chimney by using the optional Riva2 renovation kit. Details of this can be found on page 134.



Victorian Corbel



Claremont

Mantel Styles	Dimensions <sup>Δ</sup> w x h (mm)
Claremont	1555 x 1143
Cavendish Bolection	1460 x 1320
Georgian Roundel	1460 x 1082
Grafton	1415 x 1165
Sandringham	1550 x 1220
Victorian Corbel	1525 x 1170

### Stone Choices

Antique White Marble  
Limestone

### Fuel Bed

Logs

### Command Controls

Sequential remote

### Chimney Options

### Fire Choices

		E% <sup>†</sup>	kW <sup>†</sup>	1	2	3	BF
Riva2 800 Balanced Flue		82%	7.38kW	X	X	X	✓

\* Our stone mantels are crafted from high quality, natural materials and therefore will contain naturally occurring veining, subtle tonal differences and indeed, small fossils that may be found in the limestone.

† Efficiency figures given are based upon the maximum heat output achieved in the options available for this model, for complete technical information, please see pages 132-134.

Δ Overall visible dimensions upon installation. For more detailed information, including firebox dimensions, please see pages 132-134.







Riva2 800 in Grafton Limestone Mantel



## Riva2 Stone Mantels (contd.)

Whatever your choice of stone mantel, the Riva2 will make an impressive centrepiece in any home. It is highly efficient too, with a large glass area providing radiant heat and convected heat entering the room through high level grilles in the false chimney breast (constructed to house the fire). A perfect combination of style and technology!



Cavendish Bolection



Georgian Roundel

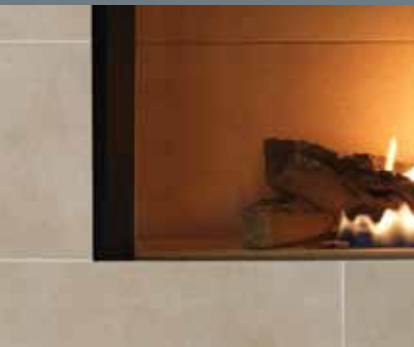


# Riva2 1050 Edge



For a clean, simple, 'hole-in-the-wall' look, the frameless Edge version of the Riva2 1050 makes an ideal choice for your home. It also offers you all the ambience of a log-effect fire with the effortless ease of gas – especially with a remote control that takes care of everything from ignition to thermostatic regulation of heat output.

The Riva2 1050 is highly efficient too, with radiant heat being emitted from an extensive glass window and convected warmth flowing into the room through high level grilles in the sides of the chimney breast.



Riva2 1050 Edge in Santiago White fire surround tiles detail

The frameless look allows you to create a more minimalist décor, choosing tiles or wall colours and finishes to maximise the overall impression of dimension and space. Gazco offers a range of fireplace surround packages to go with the Riva2 edge fires, which are shown in our separate Fireplace Surround Packages brochure downloadable from [www.gazco.com](http://www.gazco.com).

The Riva2 is available as a balanced flue fire only. However, the Riva2 can be installed into a conventional chimney by using the optional Riva2 renovation kit. Details of this can be found on page 134.

**Fuel Bed**  
Logs

**Command Controls**  
Sequential remote

Fire Choices	E%	kW †	Chimney Options			Dimensions <sup>Δ</sup> w x h (mm)
			1	2	BF	
Riva2 1050 Balanced Flue	82%	7.38kW	X	X	✓	1142 x 552

† Efficiency figures given are based upon the maximum heat output achieved in the options available for this model, for complete technical information, including flue gather requirements, please see pages 132-134.  
 Δ Overall visible dimensions upon installation. For more detailed information, please see pages 132-134.





Riva2 1050 Edge shown with Kappa fire surround tiles





# Riva2 1050 Sorrento

If you wish to hearth mount the Riva2 1050 then the superb Sorrento presents the perfect solution. Crafted from limestone in a choice of natural or graphite, the addition of this surround offers you a complete focal point around which to create your very own individual decorative style.

However, the Riva2 is not just about looks. In fact, you can enjoy more than 7kW warmth at the touch of the remote control – and that’s a wonderful thought on a cold winter’s night!



### Frame Styles

Natural Limestone  
Graphite Limestone

### Fuel Bed

Logs

### Command Controls

Sequential remote

Fire Choices	E%	kW †	Chimney Options			Dimensions <sup>Δ</sup> w x h (mm)
			1	2	BF	
Riva2 1050 Balanced Flue	82%	7.38kW	X	X	✓	1530 x 801

† Efficiency figures given are based upon the maximum heat output achieved in the options available for this model, for complete technical information, including flue gather requirements, please see pages 132-134.

Δ Overall visible dimensions upon installation (including integral hearth). For more detailed information, please see pages 132-134.



Riva2 1050 in Sorrento Natural Limestone frame

# Riva Fires

The versatile and stylish Riva range has been a favourite with home owners for several years. Each model has its own fire effect, including electric, as well as a choice of elegant frame options.





## Riva 53

This high efficiency model features a superbly distinctive contemporary driftwood effect fire. Its design also means that it is suitable for both hearth mounting and 'hole in the wall' installation. Plus there's approximately 5kW of comforting heat for you to enjoy at the turn of a switch.



## Riva 67

Available with a wealth of frame designs, the landscape Riva 67 not only offers you a similar heating performance to the Riva 53 but also the choice of a more traditional log-effect fire. You can also boost the heat flow into your room through the optional fan-assisted circulation kit.



## Riva Electric

The promise of instant heat and an impressive fire, complete with flickering flames and glowing logs, makes the Electric Riva 67 an ideal choice for rooms or homes without a chimney. It can be built into a pre-constructed opening in a wall, mounted on a wall or, with the Arlington surround, installed on a hearth.



## Remote Controls

All gas Riva 53 and Riva 67 models come with manual operation and the option to upgrade to a Standard remote control (allowing you to adjust both the flame height and heat output) or the Programmable remote control (with additional thermostatic and timer functions). The Electric Riva 67 is supplied complete with its own remote control.



Standard  
(Upgradable)



Programmable  
(Upgradable)



Electric Riva Remote  
(supplied with fire)



# Riva Avanti

First in the glass fronted Riva range is the stylish Avanti, a superbly efficient convector that is available in two distinctive formats The 53 and The 67. The 53 features a driftwood log-effect fire whilst the landscape 67 has an authentic log-effect fire. All have the built-in comfort of adjustable heat and flame height to exactly suit your mood.



Riva 53 Avanti Vertical Curve

Each model comes complete with a brushed stainless steel front. Whichever your preference, you can be sure the Avanti will provide a striking focal point at the very heart of your home.

### Colour Choice

Stainless/Black

### Frame Styles

Vertical Curve (53)  
Horizontal Curve (67)

### Fuel Bed

Driftwood Logs (53)  
Logs (67)

### Command Controls

Manual  
Standard upgradable  
Programmable remote

Fire Choices	E%	kW †	Chimney Options			Dimensions <sup>Δ</sup> w x h (mm)
			1	2	BF	
Riva 53	72%	4.90kW	✓	✓	✗	650 x 819
Riva 53 – Balanced Flue	78%	5.30kW	✗	✗	✓	650 x 819
Riva 67	72%	4.90kW	✓	✓	✗	825 x 699
Riva 67 – Balanced Flue	75%	4.60kW	✗	✗	✓	825 x 699

† Efficiency figures given are based upon the maximum heat output achieved in the options available for this model, for complete technical information, including flue gather requirements, please see pages 132-133.

Δ Overall visible dimensions upon installation. For more detailed information, including firebox dimensions, please see pages 132-133.







## Riva Designio

A design statement in its own right, the glass fronted Designio has the style to appeal across the widest range of contemporary interiors - and a performance to match. The magnificent gas fires (driftwood logs for the 53 and logs for the 67) are teamed with an exceptionally efficient convection system that produces up to 5.3kW of controllable heat.

Choose one of Gazco's optional Command remote controls and adjustment is easier still!



Riva 53 Designio in Graphite

### Colour Choice

Graphite  
Iridium

### Fuel Bed

Driftwood Logs (53)  
Logs (67)

### Command Controls

Manual  
Standard upgradable  
Programmable remote

Fire Choices	E%	kW †	Chimney Options			Dimensions <sup>Δ</sup> w x h (mm)
			1	2	BF	
Riva 53	72%	4.90kW	✓	✓	✗	650 x 735
Riva 53 – Balanced Flue	78%	5.30kW	✗	✗	✓	650 x 735
Riva 67	72%	4.90kW	✓	✓	✗	775 x 603
Riva 67 – Balanced Flue	75%	5.30kW	✗	✗	✓	775 x 603

† Efficiency figures given are based upon the maximum heat output achieved in the options available for this model, for complete technical information, please see pages 132-133.

Δ Overall visible dimensions upon installation. For more detailed information, including firebox dimensions, please see pages 132-133.







## Riva Profil 2

Whether part of a standard fireplace or as a hole-in-the-wall installation, the two stylish Riva Profil 2 models both feature the glow and flames of a highly realistic gas log fire. This provides not only a remarkable focal point for your room but an effective heating appliance as well. To maximise your décor options, the Profil 2 frame is available in two outstanding finishes; Graphite or Iridium.



Riva 53 Profil 2 in Iridium

### Colour Choice

Graphite  
Iridium






### Command Controls

Manual  
Standard upgradable  
Programmable remote

### Fuel Bed

Driftwood Logs (53)  
Logs (67)



Fire Choices		E%	kW †	Chimney Options			Dimensions <sup>Δ</sup> w x h (mm)
				1	2	BF	
Riva 53		72%	4.90kW	✓	✓	✗	590 x 729
Riva 53 – Balanced Flue		78%	5.30kW	✗	✗	✓	590 x 729
Riva 67		72%	4.90kW	✓	✓	✗	710 x 590
Riva 67 – Balanced Flue		75%	4.60kW	✗	✗	✓	710 x 590

† Efficiency figures given are based upon the maximum heat output achieved in the options available for this model, for complete technical information, please see pages 132-133.

Δ Overall visible dimensions upon installation. For more detailed information, including firebox dimensions, please see pages 132-133.



## Riva Spectrum

The Riva Spectrum combines a bold new frame design with the superb heating efficiency that the glass fronted Riva range offers.

Available in a landscape 67 size complete with realistic log-effect fire, or in the portrait 53 size that features an authentic driftwood log fire. Whatever your choice, the Spectrum's stylish black frame with polished steel highlights will be sure to impress.



Riva 53 Spectrum

### Colour Choice

Black with Stainless inserts

### Fuel Bed

Driftwood Logs (53)  
Logs (67)

### Command Controls

Manual  
Standard upgradable  
Programmable remote

Fire Choices	E%	kW †	Chimney Options			Dimensions <sup>Δ</sup> w x h (mm)
			1	2	BF	
Riva 53	72%	4.90kW	✓	✓	✗	760 x 729
Riva 53 – Balanced Flue	78%	5.30kW	✗	✗	✓	760 x 729
Riva 67	72%	4.90kW	✓	✓	✗	880 x 590
Riva 67 – Balanced Flue	75%	4.60kW	✗	✗	✓	880 x 590

† Efficiency figures given are based upon the maximum heat output achieved in the options available for this model. For complete technical information, please see pages 132-133.

Δ Overall visible dimensions upon installation. For more detailed information, including firebox dimensions, please see pages 132-133.











# Riva Esprit

Designed to blend perfectly into today's modern interiors, this version of the Riva 67 Esprit creates not only an impressive focal point at the heart of any contemporary space, but also the power to heat it.



Riva 67 Esprit in Graphite



Riva 67 Esprit in Iridium

### Colour Choice

Graphite  
Iridium

### Fuel Bed

Logs

### Command Controls

Manual  
Standard upgradable  
Programmable remote

Fire Choices	E%	kW †	Chimney Options			Dimensions <sup>Δ</sup> w x h (mm)
			1	2	BF	
Riva 67	72%	4.90kW	✓	✓	✗	925 x 684
Riva 67 – Balanced Flue	75%	4.60kW	✗	✗	✓	925 x 684

† Efficiency figures given are based upon the maximum heat output achieved in the options available for this model, for complete technical information, please see pages 132-133.

Δ Overall visible dimensions upon installation. For more detailed information, including firebox dimensions, please see pages 132-133.



Riva 67 Vetro

## Riva Vetro

Style abounds in the shape of the Riva Vetro. Its widescreen appearance and realistic log-effect fire provide the ultimate centrepiece for your living space. Furthermore, with the Riva Vetro you have the option of upgrading to one of Gazco's very latest Command remote controls, allowing easy adjustment of heat and flame options, and the setting of timer and thermostatic functions using the Programmable option.



### Colour Choice

Black glass

### Fuel Bed

Logs

### Command Controls

Manual

Standard upgradable

Programmable remote

Fire Choices	E%	kW †	Chimney Options			Dimensions <sup>Δ</sup> w x h (mm)
			1	2	BF	
Riva 67	72%	4.90kW	✓	✓	✗	1052 x 650
Riva 67 – Balanced Flue	75%	4.60kW	✗	✗	✓	1052 x 650

† Efficiency figures given are based upon the maximum heat output achieved in the options available for this model, for complete technical information, please see pages 132-133.

Δ Overall visible dimensions upon installation. For more detailed information, including firebox dimensions, please see pages 132-133.





Electric Riva Designio



Electric Riva Esprit



Electric Riva View



Electric Riva Vetro



Electric Riva Arlington

# Electric Riva



The Riva 67 is also available as an electric fire. You simply slot it into a pre-constructed opening (in a wall, fireplace or wooden surround) plug in and switch on for that real fire look and authentic atmosphere. Alternatively, you can mount the Electric Riva on the wall with an optional wall mounting kit. The Arlington model is for hearth mounting only.

The impressive electric log-effect fire provides flickering flames and a warming glow at the touch of a button on the remote control. There's instant heat too, and the heater can be operated with either 1kW or 2kW of output. Or, if you wish, you can just enjoy the flames without any heat.

Choose from Arlington, Avanti, Designio, Esprit and Vetro versions, or the slimline View version which is only 142mm deep when mounted onto the wall or just 35mm when recessed.

Frame Choices	Dimensions <sup>A</sup> w x h (mm)
Designio	775 x 603
Esprit	925 x 684
View	950 x 590
Vetro	1052 x 650
Arlington	940 x 627
Avanti	825 x 699

**Fuel Bed**  
Logs

**Command Controls**  
Remote

Fire Choices	E%	kW	Chimney Option
Electric Riva 67	99%	2.00kW	✓

*For complete model choices, dimensions and additional information please see pages 132-133. <sup>Δ</sup> Overall visible dimensions upon installation. For more detailed information, including firebox dimensions, please see pages 132-133.*







## Gas F67 Riva Stoves

For those who like to combine all the benefits of a Riva with the look of a stove, Gazco's F67 Riva range is the answer for you. Available hearth-mounted or mounted on a bench or pedestal, the F67 offers an incredibly stylish solution. For more details please see our Gazco Stoves brochure or go on-line and visit the Stoves section at [www.gazco.com](http://www.gazco.com).



Gas F67 Riva Bench



Gas F67 Riva Pedestal

### Colour

Black with stainless inserts

### Fuel Bed

Logs

### Command Controls

Manual  
Standard upgradable  
Programmable remote

Fire Choices	Chimney Options				
	E% <sup>†</sup>	kW <sup>†</sup>	1	2	BF
Riva 67	72%	4.90kW	✓	✓	✗
Riva 67 – Balanced Flue	75%	4.60kW	✗	✗	✓

*For complete technical information, please see the Gazco Stoves brochure.*

<sup>†</sup> Efficiency figures given are based upon the maximum heat output achieved in the options available for this model.

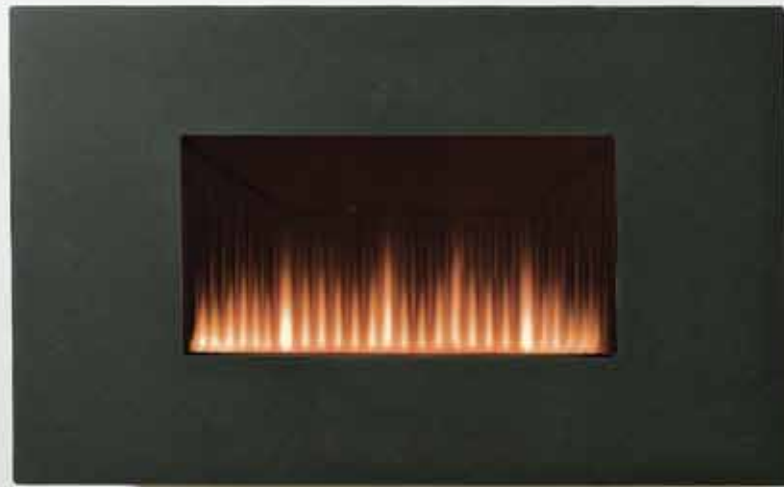






# Linea Fires

In addition to the extensive Studio, Riva2 and Riva ranges, we also have the truly unique Linea. This thoroughly modern approach to fire design offers a dramatic chorus of vertical flames, strikingly offset against a pure black background. With Sequential remote included, the inspirational Linea offers the ultimate in operational simplicity.





# Linea Steel

Inspirational! What other description can there be for Gazco's impressive Linea Steel?

With its thoroughly modern lines and exceptionally slim profile, this steel and glass-fronted fire complements the most contemporary of interiors, plus there's up-to-the-minute technology to match.

Not only is the Linea Steel a highly efficient fire but also complete operation of all functions is via Gazco's programmable Sequential remote control.



Linea Steel in Iridium



### Colour Choice

Graphite  
Iridium

### Command Controls

Sequential remote

### Dimensions <sup>Δ</sup> w x h (mm)

1050 x 650

### Chimney Options

### Fire Choices

Linea Steel Balanced Flue	82%	4.30kW	X	X	✓

<sup>†</sup> Efficiency figures given are based upon the maximum heat output achieved in the options available for this model, for complete technical information, please see page 131.

<sup>Δ</sup> Overall visible dimensions upon installation. For more detailed information, including firebox dimensions, please see pages 131.



# Linea Designio

There are some things in life with an allure that is immediate and obvious. With its incredibly slimline frame and unique visual effect the Linea Designio is one such object. In fact, it's just like having a live action work of modern art on your wall, with beautifully choreographed blue, yellow and orange flames against a background of pure black.

Operation is simplicity itself too. Gazco's Sequential remote control takes care of everything from ignition to the thermostatic regulation of heat output.



Linea Designio in Graphite

### Colour Choice

Graphite  
Iridium

### Command Controls

Sequential remote

### Dimensions <sup>Δ</sup> w x h (mm)

775 x 620

### Chimney Options

### Fire Choices

		<b>E%</b>	<b>kW †</b>	<b>1</b>	<b>2</b>	<b>BF</b>
Linea Designio Balanced Flue		82%	4.30kW	X	X	✓

† Efficiency figures given are based upon the maximum heat output achieved in the options available for this model, for complete technical information, please see page 131.

Δ Overall visible dimensions upon installation. For more detailed information, including firebox dimensions, please see pages 131.









# Linea Vetro

The ultra-contemporary Linea Vetro is one of the sleekest fires in the world and one that is at the leading edge of heating efficiency. The flame effect is unique too, offering an attractive display of moving colour that both fascinates and delights, while the very latest Sequential remote control operates everything from ignition to heat output.

Make your design statement with the outstanding Linea and let the smooth simplicity of sparkling glass create a stylish effect in your contemporary living room.

### Colour Choice

Black glass  
White glass

### Command Controls

Sequential remote

### Dimensions<sup>A</sup> w x h (mm)

1050 x 650



Linea Vetro with White glass



### Fire Choices

		E%	kW <sup>†</sup>	1	2	BF
Linea Vetro Balanced Flue		82%	4.30kW	X	X	✓

### Chimney Options

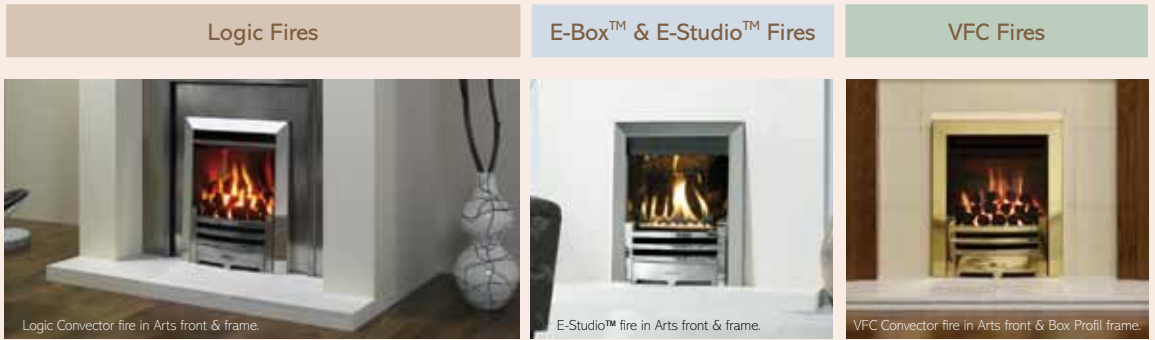
<sup>†</sup> Efficiency figures given are based upon the maximum heat output achieved in the options available for this model, for complete technical information, please see page 131.  
<sup>Δ</sup> Overall visible dimensions upon installation. For more detailed information, including firebox dimensions, please see pages 131.

# Inset Fires



To further expand your possibilities, this section details Gazco's different inset fire options from which to choose and pair with a wide selection of traditional and contemporary frame choices.





### Key Features

	Logic Hotbox	Logic Convector	Logic HE	E-Box™	E-Studio™	VFC Convector	VFC Tapered
Manual Versions	✓	✓	✓	✗	✗	✓	✓
Optional Remote Control	✓†	✓†	✗	✗	✗	✓	✓
Sequential Remote Control Included	✗	✗	✗	✓	✓	✗	✗
Fuel bed options	Coal & Pebble	Coal & Pebble	Coal & White Stone	Coal & Pebble	White Stone	Coal	Coal
Convected heat	✗	✓	✓	✓	✓	✓	✗
Radiant Heat	✓	✓	✓	✓	✓	✓	✓
Wide selection of frames	✓	✓	✓	✓	✓	✓	✗
Natural Gas or LPG	✓	✓	✓	✓	✓	✓	✓
Extra deep fuel bed	✗	✗	✗	✗	✗	✓	✓
Can be wall mounted	✓	✓	✓	✓	✓	✓	✗
Additional 22" versions	✗	✗	✗	✗	✗	✓	✓
Variable Flame Colour	✗	✗	✗	✗	✗	✓	✓
Ambient open fire	✓	✓	✗	✗	✗	✓	✓
Glass fronted high efficiency	✗	✗	✓	✓	✓	✗	✗
ODS Safety feature*	✓	✓	✓	✓	✓	✓	✓
Additional air vent required	✗	✗	✗	✗	✗	✗◇	✗◇

Suitable for:  
**Brick chimneys**  
(Class 1)

1



✓

✓

✓

✓

✓

✓

✓

Suitable for:  
**Pre-fabricated flues**  
(Class 1 & 2)

2



✓

✓

✓

✓

✗

✗

Suitable for:  
**Pre-cast flues**  
(Class 2)

3



✓

✓

✓

✓

✗

✗

Suitable for:  
**Balanced Flue**  
(Homes with no chimney)

BF



✗

✗

✓

✓

✓

✗

✗

\* ODS (Oxygen Depletion Sensor)- This safety feature will shut off the gas supply to the burner in the event of a reduction to oxygen levels in the room (conventional flue only).

† If required, Logic Hotbox and Logic Convector fires must be upgraded to a standard remote control version at the time of purchase.

◇ 16" VFC models only. 22" models will require an air vent.

# Logic Fires

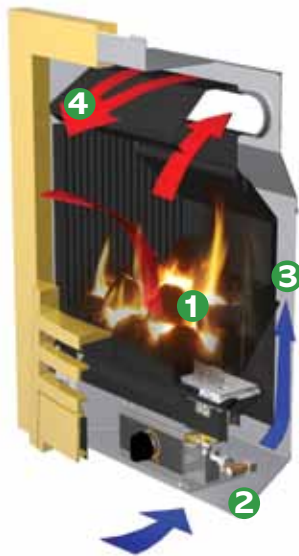
There are three different fires in the Logic family to choose from: the Logic Hotbox, Logic Convector or the Logic HE. As well as benefiting from lower installation costs by choosing a Logic fire, additional savings can be made as these are all Reduced Draught fires, meaning that in all cases a wall or floor vent is not required. The Logic range is offered with a wide selection of frames and finishes, the full selection can be seen on pages 84-87.



# Logic Hotbox

Suitable for all chimney types, the Logic Hotbox is an open-fronted fire that provides a warm focal point without the additional heat emitted by the Logic Convectector or Logic HE. This fire offers you the options of either coal or pebble fuel beds (1) and the choice of a manual or remote control version.

The hotbox draws cool room air into the bottom of the appliance (2) and then emits radiant heat into the room (3) via the glow generated on the ceramic fuel bed.



# Logic Convectector

The Logic Convectector is an efficient open fire suitable for all chimney types. It incorporates a convection system that provides additional heat and efficiency to that of the Hotbox. Available with coal or pebble fuel beds (1) and the option of either manual or remote control versions.

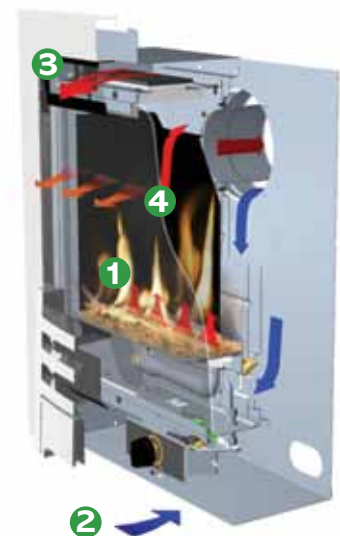
The convectector box draws cool room air into the bottom of the convection chamber (2) the cool air is warmed as it passes over the hot surfaces of the chamber (3) and the hot air is then emitted back into the room via the top convection slot (4).

# Logic HE



The latest in the Logic range, the Logic HE has a glass front and boasts the highest efficiency of all the Logic Fires at up to 82%. The HE is manually operated with a choice of either coal or white stone fuel effects (1). With both conventional and balanced flue models, the HE is even suitable for homes without a chimney!\*

The Logic HE box draws cool room air into the bottom of the convection chamber (2) the cool air is warmed as it passes over the hot surfaces of the chamber and the hot air is then emitted back into the room via the top convection slot (3). Maximum heat is radiated into the room via the virtually invisible glass front (4). The Logic HE (balanced flue only) has been specifically designed with reduced depth to allow for easy installation into the internal skin of a traditional cavity wall.



Balanced flue model shown.

\* Balanced flue models only.

# Logic Hotbox



Logic Hotbox fire, pebble fuel bed and matt black Arts front and Box Profil frame. Also shown: White Malmo mantel from Stovax and Kappa fireplace surround tiles (available from Gazco).

## Key Information

- **Wide selection of frames & finishes** (see pages 84-87)
- Choice of highly realistic coal or pebble fuel effects
- Radiant heating
- Heat reflective lining
- Up to 3.3kW heat output (input 6.7kW)
- 48% efficient
- Conventional flue fire suitable for all chimney types
- Manual models
- Remote control models (manual ignition and then adjustment of flame height and heat output from handset)
- No additional room ventilation required
- Fits into standard 410 x 560 x 250mm (w x h x d) fireplace opening
- Natural gas and LPG models

Remote Control  
Option





Logic Hotbox fire, coal fuel bed and Dimension complete front. Also shown: Brompton mantel from Stovax.

## Fire Information

Product Code	Controls	Gas Type	Fuel Effect	Product Code	Controls	Gas Type	Fuel Effect
101-021	Manual	Nat. Gas	Coals	101-083	Remote	Nat. Gas	Coals
101-512	Manual	LPG	Coals	101-741	Remote	LPG	Coals
101-372	Manual	Nat. Gas	Pebbles	101-278	Remote	Nat. Gas	Pebbles
101-788	Manual	LPG	Pebbles	101-589	Remote	LPG	Pebbles

# Logic Convector



Logic Convector fire, coal fuel bed and Highlight Polished Holyrood front with Brushed Steel-effect Box Profil frame.  
Also Shown: Brompton Mantel and Chelsea Cast Iron front with inset panel available from Stovax.

## Key Information

- **Wide selection of frames & finishes** (see pages 84-87)
- Choice of highly realistic coal or pebble fuel effects
- Radiant heating plus convection system for added efficiency
- Heat reflective ceramic lining
- Up to 4.1kW heat output (input 6.7kW)
- 62% efficient
- Conventional flue fire suitable for all chimney types
- Manual models
- Remote control models (manual ignition and then adjustment of flame height and heat output from handset)
- No additional room ventilation required
- Fits into standard 410 x 560 x 250mm (w x h x d) fireplace opening
- Natural gas and LPG models

Remote Control  
Option





Logic Convector fire, pebble fuel bed and Evolution complete front.

## Fire Information

Product Code	Controls	Gas Type	Fuel Effect	Product Code	Controls	Gas Type	Fuel Effect
101-295	Manual	Nat. Gas	Coals	101-349	Remote	Nat. Gas	Coals
101-418	Manual	LPG	Coals	101-528	Remote	LPG	Coals
101-100	Manual	Nat. Gas	Pebbles	101-190	Remote	Nat. Gas	Pebbles
101-636	Manual	LPG	Pebbles	101-434	Remote	LPG	Pebbles

# Logic HE Conventional flue



Logic HE Conventional flue fire, white stone fuel bed and Progress complete front. Also shown: Strasbourg Cream fireplace surround tiles (available from Gazco).

## Key Information

- **Wide selection of frames & finishes** (see pages 84-87)
- Choice of highly realistic coal or white stone fuel effects
- High efficiency fire with virtually invisible glass front
- Radiant heating - plus convection system for added efficiency
- Heat reflective lining
- Up to 3.8kW heat output (input 5.1kW)
- Up to 76% efficient
- Conventional flue fire suitable for all chimney types
- Manual Operation
- No additional room ventilation required
- Fits into standard 410 x 560 x 250mm (w x h x d) fireplace opening
- Natural gas and LPG models





Logic HE Conventional flue fire, coal fuel bed and Highlight Polished Arts front with Matt Black Arts frame. Also shown: Small Kensington mantel from Stovax.

## Fire Information

Product Code	Controls	Gas Type	Fuel Effect	Product Code	Controls	Gas Type	Fuel Effect
101-151	Manual	Nat. Gas	Coals	101-324	Manual	Nat. Gas	White Stones
101-497	Manual	LPG	Coals	101-651	Manual	LPG	White Stones

# Logic HE Balanced flue



Logic HE Balanced flue fire, white stone fuel bed and Steel complete front in Iridium.

## Key Information

- **Wide selection of frames & finishes** (see pages 84-87)
- Choice of highly realistic coal or white stone fuel effects
- High efficiency fire with virtually invisible glass front
- Radiant heating - plus convection system for added efficiency
- Heat reflective lining
- Up to 3.30kW heat output (input 4.00kW)
- Up to 82% efficient
- Balanced flue fire for no chimney homes
- Manual Operation
- No additional room ventilation required
- Fits into standard 420 x 560 x 165mm (w x h x d) fireplace opening
- Natural gas and LPG models
- Slimmer depth, allowing installation into inner wall of home without need for a false chimney breast.



Logic HE Balanced flue fire, coal fuel bed, with Polished Chrome Arts front and Polished Stainless Steel-effect Box Profil frame. Also shown: Malmo mantel from Stovax.

## Fire Information

Product Code	Controls	Gas Type	Fuel Effect	Product Code	Controls	Gas Type	Fuel Effect
101-135	Manual	Nat. Gas	Coals	101-208	Manual	Nat. Gas	White Stones
101-458	Manual	LPG	Coals	101-687	Manual	LPG	White Stones

# Logic Front & Frame Choices

	Front Choices			Frame Choices				Complete Choices					
	Holyrood	Spanish	Arts	Profil	Decorative	Arts	Box Profil	Dimension	Designio	Steel	Progress	Winchester	Evolution
Logic Hotbox	✓	✓	✓	✓	✓	✓	✓	✓	✓	✗	✓	✓	✓
Logic Convector	✓	✓	✓	✓	✓	✓	✓	✓	✓	✗	✓	✓	✓
Logic HE (w/stones)	✗	✗	✓	✗	✗	✗	✓	✓	✓	✓	✓	✓	✓
Logic HE (coals)	✓	✓	✓	✗	✗	✗	✓	✓	✓	✗	✓	✓	✓

## Arts

(Page 76, 81, 90 & 102)



Matt Black



Polished Brass-effect



Polished Chrome-effect



Highlight Polished

## Holyrood

(Page 78, 87, 103 & 107)



Matt Black Cast Iron with Brass Finials\*



Polished Brass with Black columns & Brass Finials\*



Polished Chrome\*



Highlight Polished

## Spanish

(Page 72, 74, 105 & 106)



Matt Black



Polished Brass



Polished Chrome



Highlight Polished

\* Logic HE coal versions have no finials.

## Box Profil Frames†

(Page 74, 76, 83 & 102)



Matt Black†



Polished Brass-effect†



Polished Steel-effect†



Brushed Steel-effect†

## Arts Frames

(Page 81 & 90)



Matt Black



Polished Brass



Polished Stainless Steel



Brushed Stainless Steel

## Decorative Frames



Matt Black



Polished Brass



Polished Stainless Steel



Brushed Stainless Steel

## Profil Frames

(Page 72 & 105)



Matt Black



Polished Brass\*



Polished Stainless Steel



Brushed Stainless Steel

\* Profil frame in Brass is available with both standard and wide (67mm) options.

† Logic HE versions have a grille as shown top right.

# Logic Complete Front Choices

## Designio



Graphite

(Page 91)



Iridium

## Progress

(Page 80)



Iridium

## Winchester<sup>†</sup>

(Page 88)



Polished<sup>†</sup>



Matt Black<sup>†</sup>

## Dimension<sup>\*</sup>

(Page 77)



Matt Black<sup>\*</sup>

## Evolution<sup>†</sup>

(Page 79)



Brushed Stainless Steel<sup>†</sup>

## Steel



Graphite and Iridium

(Page 82 & 92)

\* Logic HE versions have a grille. † Logic HE versions have a cross bar and grille (as shown)



Logic HE Balanced flue fire, coal fuel bed and Polished Brass Holyrood front and Polished Brass-effect Box Profil frame. Also shown: Grafton Limestone mantel from Stovax.



# E-Studio™ & E-Box™ Fires

Quite simply, these fires offer you the benefits of our very highest levels of heating efficiency thus saving you money on your gas bills. Yet this high efficiency technology still comes with sequential remote control as standard and a host of choices for frames and styles to ensure you bring warmth and elegance to the very heart of your home, whether traditional or contemporary.



# Sequential Ignition, Remotely Controlled, High Efficiency Fires...



Balanced flue model shown.

## E-Studio™



This premium 16" wide fire provides exceptional heating efficiency with a fresh contemporary look. Set behind a virtually invisible glass window, the E-Studio™ features a stunning ribbon flame effect (1) and is available in both conventional and balanced flue models. Everything from ignition to extinguishing the flame can be operated with ease by the Sequential remote control supplied.

The high efficiency E-Studio™ radiates heat from its virtually invisible glass window (2) whilst the latest in firebox technology flows heated air directly into the room (3) for ultimate efficiency. There are a wide selection of stylish frame options to complement your E-Studio™ fire which can be found on pages 98-101.

\* Balanced flue models only.



Conventional flue model shown.

## E-Box™



This top-of-the-range 16" wide fire provides exceptional heating efficiency and fuel economy. Set behind a virtually invisible glass window, Gazco's technologically advanced E-Box™ offers ease of installation, a wide choice of styling options and a coal or pebble (1) version to suit all homes, even those without a chimney. The E-Box™ comes complete with Sequential remote control, allowing operation from ignition to extinguishing the flame, all from the comfort of your sofa.

The E-Box™ produces an excellent heat output, offering up to 86% efficiency. Heat radiates from the glass window (2) and the fire has been expertly designed to convect heated air (3) into the room with maximum fuel efficiency.

\* Balanced flue models only.

# E-Studio™



E-Studio™ fire with Polished Chrome Arts front and Polished Stainless Steel Arts frame. Also shown: Parisian White fireplace surround tiles (available from Gazco).

## Key Information

- **Wide selection of frames & finishes** (see pages 98-101)
- White stone fuel effect
- High efficiency fire with virtually invisible glass front
- Radiant heating - plus convection system for adding efficiency
- Heat reflective lining
- Up to 3.5kW heat output (input 4.3kW)
- Up to 82% efficient
- No additional room ventilation required
- Fits into standard 410 x 560 x 250mm (w x h x d) fireplace opening
- Natural gas and LPG models
- Sequential remote control (full operation: ignition and extinguish, adjustment of flame height and heat output, all from handset)

Sequential remote





E-Studio™ fire with Designio complete front in Graphite. Also shown: Napoli Sabbia Polished fireplace surround tiles (available from Gazco).

# E-Studio™



E-Studio™ fire with Steel complete front in Graphite.



E-Studio™ fire with Futura complete front.

## Fire Information

### Conventional Flue

Product Code	Controls	Gas Type	Fuel Effect
112-284	Sequential	Nat. Gas	White Stones
112-597	Sequential	LPG	White Stones

### Balanced Flue

Product Code	Controls	Gas Type	Fuel Effect
112-236	Sequential	Nat. Gas	White Stones
112-732	Sequential	LPG	White Stones



E-Box™ Conventional Flue fire, coal fuel bed and Richmond complete front.

## Key Information

- **Wide selection of frames & finishes** (see pages 98-101)
- Choice of highly realistic coal or pebble fuel effects
- High efficiency fire with virtually invisible glass front
- Radiant heating - plus convection system for added efficiency
- Heat reflective lining
- Up to 3.8kW heat output (input 5.1kW)
- Up to 76% efficient
- No additional room ventilation required
- Fits into standard 410 x 560 x 250mm (w x h x d) fireplace opening
- Natural gas and LPG models
- Sequential remote control (full operation: ignition and extinguish, adjustment of flame height and heat output, all from handset)

Sequential  
remote





E-Box™ Balanced Flue fire, coal fuel bed and Polished Chrome Arts front and Polished Stainless Steel Arts frame. Also shown: Pembroke mantel from Stovax.

# E-Box™



E-Box™ Conventional Flue fire, coal fuel bed and Fusion complete front in Graphite.





E-Box™ Balanced Flue fire, coal fuel bed and Stockton Inset complete front.

## Fire Information

### Conventional Flue

Product Code	Controls	Gas Type	Fuel Effect
112-302	Sequential	Nat. Gas	Coals
112-494	Sequential	LPG	Coals
112-177	Sequential	Nat. Gas	Pebbles
112-419	Sequential	LPG	Pebbles

### Balanced Flue

Product Code	Controls	Gas Type	Fuel Effect
112-360	Sequential	Nat. Gas	Coals
112-617	Sequential	LPG	Coals
112-196	Sequential	Nat. Gas	Pebbles
112-540	Sequential	LPG	Pebbles

# E-Box™ & E-Studio™ Frame & Front Choices

	Front Choices			Frame Choices		Complete Choices									
	Holyrood	Spanish	Arts	Arts	Box Profil	Dimension	Designio	Fusion	Futura	Stockton Inset	Steel	Progress	Winchester	Evolution	Richmond
E-Box™	✓	✓	✓	✓	✓	✓	✓	✓	✓	✓	✗	✓	✓	✓	✓
E-Studio™	✗	✗	✓	✓	✓	✓	✓	✓	✓	✗	✓	✓	✓	✓	✗

## Box Profil Frames

(Page 74, 76, 83 & 102)



Matt Black



Polished Brass-effect



Polished Steel-effect



Brushed Steel-effect

## Arts Frames

(Page 81 & 90)



Matt Black



Polished Brass



Polished Stainless Steel



Brushed Stainless Steel

## Holyrood

(Page 78, 87, 103 & 107)



Matt Black Cast Iron



Polished Brass with  
Black columns



Polished Chrome\*



Highlight Polished

## Spanish

(Page 72, 74, 105 & 106)



Matt Black



Polished Brass



Polished Chrome



Highlight Polished

## Arts

(Page 76, 81, 90 & 102)



Matt Black



Polished Brass



Polished Chrome



Highlight Polished



Polished Brass-effect



Polished Chrome-effect

# E-Box™ & E-Studio™ Complete Front Choices

Dimension (Page 77)



Matt Black

Evolution (Page 79)



Brushed Stainless Steel

Richmond (Page 94)



Black Cast Iron

Winchester (Page 88)



Polished



Matt Black

Stockton Inset (Page 97)



Matt Black

Designio

(Page 91)



Graphite



Iridium

Progress

(Page 80)



Iridium

Fusion

(Page 96)

Futura

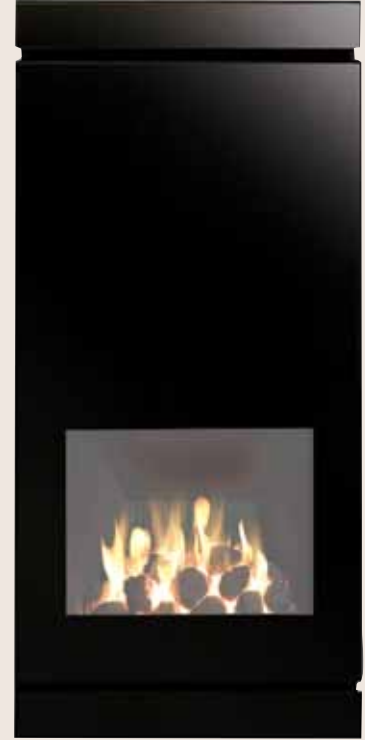
(Page 93)



Iridium



Graphite



Black Glass

Steel

(Page 82 & 92)



Iridium



Graphite



# VFC Fires

Available in 16" and 22" widths, the VFC range are our most versatile fires. With a slightly deeper fuel bed and featuring our unique variable flame technology, you can select between Blue (the fuel bed glows brightly with a lower, translucent flame with hint of blue) or Yellow (flickering, yellow flames) effects with a simple lever control. A Tapered fire produces radiant heat, whilst the more efficient Convector produces radiant and convected heat.

# Convector or Tapered?



Image above: VFC Convector fire with Highlight Polished Holyrood front and Polished Chrome Profil frame. Also shown: Pembroke mantel from Stovax

	VFC Tapered	VFC Convector
Suitable for conventional, brick built chimney (Class 1)	Chairbrick in place	Chairbrick removed
Deeper fuel bed with VFC	Yes	Yes
16" and 22" widths	Yes	Yes
Heating type (efficiency)	Radiant (25%)	Radiant plus convection system (50%)
Reduce Draft version (no room vent) available	Yes (16" only)	Yes (16" only)
Remote control option	Yes	Yes
Choice of frame and front styles	Yes	Yes

Image left: VFC Convector fire with matt black Arts front and Box Profil frame.

# VFC Convector



VFC Convector fire with Highlight polished Arts front and Brushed Stainless Steel Arts frame. Also shown: Malmo mantel from Stovax.

## Key Information

- **Wide selection of frames & finishes** (see pages 108-109)
- Highly realistic coal fuel effect
- Radiant heating - plus convection system for added efficiency
- Heat reflective lining
- Up to 4.75kW heat output (input 9.5kW)\*
- 50% efficient
- Manual models
- Remote control upgrade (manual ignition and then adjustment of flame height and heat output from handset)
- No additional room ventilation required (16" only)
- Fits into standard 410 x 560 x 250mm (w x h x d) fireplace opening
- Natural gas and LPG models
- 22" versions available
- VFC (Variable Flame Control) system

Remote Control  
Option



\* 22" Versions up to 6.35kW heat output (input 12.70)





VFC Convector fire with highlight polished Spanish front and Polished Stainless Steel Profil frame. Also shown: Small Kensington mantel from Stovax.

## Fire Information

### 16" VFC Convector

Product Code	Controls	Gas Type	Fuel Effect
8420UC	Upgradable	Nat. Gas	Coals
P8420UC	Upgradable	LPG	Coals
8421UC*	Upgradable	Nat. Gas	Coals
P8421UC*	Upgradable	LPG	Coals

### 22" VFC Convector

Product Code	Controls	Gas Type	Fuel Effect
8430UC	Upgradable	Nat. Gas	Coals
P8430UC	Upgradable	LPG	Coals

\* Reduced draught models

# VFC Tapered



16" VFC Tapered fire with matt black Spanish front. Also shown: Alborg mantel from Stovax

## Key Information

- **Wide selection of frames & finishes** (see pages 108-109)
- Choice of highly realistic coal or pebble fuel effects
- Radiant heating
- Up to 3.05kW heat output (input 12.7kW)
- Up to 25% efficient
- Manual models
- Remote control upgrade (manual ignition and then adjustment of flame height and heat output from handset)
- No additional room ventilation required (16" only)
- Fits into standard chairbrick fireplace opening
- Natural gas and LPG models
- 22" versions available

Remote Control  
Option





22" VFC Tapered fire with polished brass Holyrood front.

## Fire Information

### 16" VFC Tapered

Product Code	Controls	Gas Type	Fuel Effect
8300UC	Upgradable	Nat. Gas	Coals
P8300UC	Upgradable	LPG	Coals
8301UC*	Upgradable	Nat. Gas	Coals
P8301UC*	Upgradable	LPG	Coals

### 22" VFC Tapered

Product Code	Controls	Gas Type	Fuel Effect
8310UC	Upgradable	Nat. Gas	Coals
P8310UC	Upgradable	LPG	Coals

\* Reduced draught models

# VFC Front & Frame Choices

	Front Choices			Frame Choices			Complete Choices				
	Holyrood	Spanish	Arts	Profil	Decorative	Arts	Designio	Progress	Evolution	Richmond	Box Profil & Arts Front
VFC Convector (16")	✓	✓	✓	✓	✓	✓	✓	✓	✓	✓	✓
VFC Convector (22")	✓	✓	X	✓	✓	X	✓	✓	✓	X	X
VFC Tapered (16")	✓	✓	✓	X	X	X	X	X	X	X	X
VFC Tapered (22")	✓	✓	X	X	X	X	X	X	X	X	X

## Arts

(Page 76, 81, 90 & 102)



Matt Black



Polished Brass



Polished Chrome



Highlight Polished

## Holyrood

(Page 78, 87, 103 & 107)



Matt Black Cast Iron



Polished Brass with  
Black columns & Brass Finials



Polished Chrome



Highlight Polished

## Spanish

(Page 72, 74, 105 & 106)



Matt Black



Polished Brass



Polished Chrome



Highlight Polished

## Profil Frames



Matt Black



Polished Brass\*



Polished Stainless Steel



Brushed Stainless Steel

(Page 103 & 105)

\* Profil frame in Brass is also available with deeper 67mm profile.

## Arts Frames



Matt Black



Polished Brass



Polished Stainless Steel



Brushed Stainless Steel

(Page 81 & 90)

## Decorative Frames



Matt Black



Polished Brass



Polished Stainless Steel



Brushed Stainless Steel

# Complete Front Choices

### Richmond (16")

(Page 94)



Black cast Iron

### Designio (16")

(Page 91)



Graphite or Iridium

### Progress (16")

(Page 80)



Iridium

### Evolution (16")

(Page 79)



Brushed Stainless Steel

### Box Profil & Arts Front (16")

(Page 83 & 90)



Polished Steel-effect

### Designio (22")



Graphite or Iridium

### Progress (22")



Iridium

### Evolution (22")



Brushed Stainless Steel

# Cast Iron Convector

Here is the ultimate marriage between traditional style and modern technology. By making discreet alterations to three classic, cast iron Victorian fireplaces (manufactured by our sister company Stovax) you can now enjoy quintessential period charm yet also benefit from the added efficiency and convenience of a Gazco convector gas fire, complete with Command remote control if you wish.

Finished in a choice of either black or highlight polished, each model can be teamed with your selection from a wide range of tiles and cast panel designs. Please ask your retailer for full details or visit our website.



Art Nouveau Convector, shown in Stovax Chatsworth mantel



Victorian Convector, shown in Stovax Georgian mantel

## Fuel Bed

Coals

## Command Controls

Manual  
Standard upgradable

Fire Choices	E%	kW †	Chimney Options				
			1	2	3	BF	PF
Logic Convector 	61%	4.10kW	✓	✓	✓	X	X
VFC Convector*	50%	4.75kW	✓	✓	X	X	X
VFC + powered flue kit	50%	4.75kW	X	X	X	X	✓

\* 16" reduced draft model also available, requires no air vent

† Efficiency figures given are based upon the maximum heat output achieved in the options available for this model, for complete technical information, please see pages 135, 139 and 141.





Combination Convector with Urn Design Polished panels

# Classic Fireplace

If you already own a Classic Fireplace manufactured by Gazco's sister company Stovax, or are thinking of installing one, then why not opt for the convenience of a highly realistic gas fire with optional remote control?



Poppy & Wheatsheaf Cast Iron Fireplace  
shown in Stovax Brompton mantel

**Fuel Bed**  
Coals

**Command Controls**  
Gas: Manual or Standard upgradable  
Electric: Manual



Art Nouveau Tiled Insert, Highlight Polished  
shown in Stovax Chatsworth mantel

Please see Stovax Classic Fireplaces brochure for full details on our extensive range of Cast Iron Fireplaces.







Decorative Arched Insert shown in Stovax Georgian mantel

# Fire Baskets

We offer a superb range of fire baskets, each one handcrafted using traditional materials such as brass, steel, chrome and cast iron. Many are also offered in a choice of sizes and in a variety of casting shapes or finishes. In fact, there are almost 100 combinations from which to select the perfect fire basket for your fireplace.

According to the model, there is a choice of solid fuel, gas and electric fire baskets so before you make your selection, speak to your local Gazco retailer about which option is right for you and your chimney.





1 Gas logs



2 Gas driftwood



3 Gas coals



4 Electric fire with coal-effect

## Fuels

### Wood, coal and smokeless fuels

Most Gazco traditional fire baskets in this brochure are suitable for burning solid fuels such as logs and coal as well as approved smokeless fuels.

### Gas

All Gazco fire baskets can be specified for use with either Natural Gas or LPG. Natural Gas is provided through mains pipelines, whilst LPG is usually supplied to homes in rural areas from a tank in the garden or from gas bottles.

### Electric

Many fire baskets are available with Gazco's electric coal effect fan heater. These require a 13amp socket located within 1 metre of your fireplace.

## Gas & Electric options

### Gas fires

Fires with gas logs (1) driftwood (2) or coals (3) are available for both natural gas and LPG. Please see page 141 for a full list of options.

Operation of your gas fire basket can be upgraded to Gazco's Standard Command remote control system. Once manually ignited, the handset allows you to alter flame height and heat output, all from the comfort of your armchair!

### Electric fires

Electric fires (4) provide you with the comforts of a warming, flickering coal effect glow and a thermostatically controlled fan heater. They can be operated in three modes: glow only, glow + 1kW of heat and glow + 2kW of heat, and in most cases, the fan heater can be discreetly hidden behind an optional ashpan cover when not in use.

## Custom-built gas fire baskets

If you have an existing grate or basket and would like the extra convenience of a gas fire, then Gazco can provide you with a made-to-measure fire in a choice of log, driftwood or coal effects. Please see pages 122-123 for details.





### Amhurst

Available in two sizes. Straight front in a choice of black cast iron or polished cast iron. Choose from all gas and electric fire options.



### Art Deco

Available in two sizes. Straight front in a choice of black cast iron or cast iron with Polished Iron/Steel. Choose from all gas and electric fire options.



### Milan

Available in two sizes (15" or 18" grate size). Straight front in polished cast iron. Choose from all gas and electric fire options.



### Stratford

Straight front in choice of brass or polished iron/steel. Choose from all gas and electric fire options.



### Rochester

One size. Straight front in choice of brass or polished iron/steel. Choose from all gas and electric fire options.



### Harlech

One size. Straight front in choice of brass or polished iron/steel. Choose from all gas and electric fire options.



### Ascot

One size. Straight front in a choice of brass or polished iron/steel. Choose from all gas and electric fire options.



### Ludlow

One size. Bowed front in brass only. Choose from all gas and electric fire options.



### Cheltenham

One size. Straight front in brass only. Choose from all gas and electric fire options.



### Spanish

Available in two sizes. Straight front in black or highlight polished cast iron and with a choice of four cast iron legs, two brass + two cast iron legs or four brass legs. Choose from all gas and electric fire options.



### Melbury

One size. Choice of straight or bowed front in brass or polished iron/steel. Choose from all gas and electric fire options.



### Cromwell

Available in two sizes. Straight front in black cast iron only. Choose from all gas fire options.





Small Amhurst in Black Cast Iron with Log effect gas fire, shown in Stovax Belgravia front



### Portland

One size. Straight front in a choice of brass or polished iron/steel. Choose from all gas and electric fire options.



### Portland Extended

One size. Straight front in a choice of brass or polished iron/steel. Choose from all gas and electric fire options.



### Audley

One size. Straight front in a choice of brass or polished iron/steel. Choose from all gas and electric fire options.



### Montrose

One size. Straight or bowed front in brass. Choose from all gas and electric fire options.



### Kendal

One size. Choice of straight or bowed front in brass. Choose from all gas and electric fire options.



### Halifax

One size. Straight front in brass or polished iron/steel. Choose from all gas and electric fire options.







Stratford in Brass with driftwood-effect gas fire.  
One size. Straight front in a choice of brass or polished iron/steel. Choice of all gas and electric fire options.

# Radiant gas fires custom-built for your fireplace

Gazco offers a comprehensive made-to-measure service for living flame gas fires. A wide range of sizes are available, there is virtually no limit on shape and all are supplied with Gazco's class-leading fuel effects. This makes them ideal for everything from a small Victorian cast iron fireplace in a bedroom to a large centrepiece in a pub or restaurant.



Gazco made-to-measure coal-effect fire in an original antique grate and fireplace

# Features of our superb custom-built radiant Gas Fires include:

- Simple, multi-purpose manual control knob - for fingertip control of ignition, pilot light and gas supply
- Upgradable to Command remote control system
- Adjustable flame setting - variable between high and low to suit your mood
- Piezo ignition - automatic sparking without batteries or mains electricity
- Flame failure device - automatically shuts off the gas supply if the pilot light goes out
- Oxygen sensitive safety pilot - automatically shuts off the gas supply if the oxygen level in your room falls below a safe level
- Reduced Draught versions - no additional ventilation required
- Natural Gas or LPG - versions available for both types of gas
- Heat outputs - around 2.5kW depending on model



This log-effect fire is in a Devon restaurant. Gazco made-to-measure fires are suitable for domestic and commercial use. Please ask your retailer for further information about sizes, shapes and installation regulations.



Gazco made-to-measure log-effect fire at Langs Hotel, Glasgow



Log fuel effect



Driftwood fuel effect



Coal fuel effect

## The minimum and maximum sizes for made-to-measure gas fires are as follows:

Dimensions - with Manual Control						
	Coals		Logs		Driftwood	
	Minimum	Maximum	Minimum	Maximum	Minimum	Maximum
<b>Width (mm)</b>	165	610	230	840	230	840
<b>Depth (mm)</b>	130	319	155	375	155	375

Dimensions - with Manual Control upgradable to Command Remote						
	Coals		Logs		Driftwood	
	Minimum*	Maximum	Minimum*	Maximum	Minimum*	Maximum
<b>Width (mm)</b>	230	556	230	556	230	556
<b>Depth (mm)</b>	160	319	160	375	160	375

\*Trays with these dimensions will be supplied without legs.

**Note:** The sizes above are given as a guide only and are subject to the actual shape required. There are strict regulations regarding the installation of all gas fires including custom-built models. In particular, some openings will require some form of canopy to be fitted in order to comply with BS5871 (Part 3). Your Gazco dealer will be able to advise you about sizes, shapes, regulations etc. and to answer any other questions you may have.

# Your home... and flue requirements

The type of chimney or flue you have usually dictates your choice of fire. To help you understand which fires are suitable for your home, please use the following information and pictures to identify your chimney. Don't worry if you don't have a chimney, you can still find the perfect fire for your home!

Once you have identified your chimney (or confirmed you do not have one) take note of the symbol that represents it, as this is used throughout the brochure to represent the fire or fires that are suitable for installation in your home. You may also want to utilise the fold-out key at the back of this brochure to quick reference any symbols. Please check with your local Gazco retailer that your flue and fireplace opening are suitable for your fire choice.



## Brick/Stone Chimney

(Class 1) 1

Conventional chimneys are easily recognisable. The stack rises well above the roofline and is topped by a traditional chimney pot or gas terminal. This type of chimney relies on the natural circulation of heated air to expel the products of combustion up your chimney.



## Pre-fabricated Flues

(Class 1 & 2) 2

You will see a metal flue cowl on your roof. Some are all metal whilst others may terminate through a short rectangular pot (but without a chimney stack). These flues create the same circulation of heated air as a brick or stone chimney.



## Pre-cast Flue

(Class 2) **3**

Many modern homes have been built with such flues. You can readily identify them by either a metal flue cowl or a raised ridge terminal on your roof. Again, the natural circulation of heated air expels the products of combustion. Incidentally, these flues tend to be very shallow in depth so a slimmer fire is often required. Deeper appliances, however, may be able to be installed with the use of either a spacer kit or deeper rebate on the fireplace.



## Powered Flue

(No chimney required) **PF**

This works by coupling our externally driven flue system to the fire so that it expels the products of combustion through a flue to the outdoors. You can have up to three bends in the flue so the fire can be located in more rooms around your home, and the fire does not necessarily have to be installed on an external wall.



## Balanced Flue

(No chimney required) **BF**

Balanced flues work in conjunction with glass fronted gas fires. The appliance is completely sealed from the room into which it is installed (so there are no draughts and heating efficiency is increased) and a twin-wall pipe vents directly to an outside wall. Air for combustion is drawn in through the outer pipe whilst the inner pipe removes the combustion gases to the exterior of the property. Depending on the fire selected, the twin-walled pipe may exit horizontally through an external wall or vertically through the roof. No electric supply is required therefore there is no sound with this flue system.



## Electric Fires

(No chimney required) **⚡**

Gazco produce an excellent selection of electric Riva fires and electric stoves (shown in our separate Stoves brochure) which do not, require a chimney or flue of any kind.

## No Air Vent required (UK) **🇬🇧**

All fires shown with this symbol, boast the advantage of not normally requiring an air vent\*. Please discuss this in full with your local retailer.

\*Requirements in the Republic of Ireland are different.



## Technical Information

The following pages provide the dimensional, heat input/output, efficiency and product code information you will need to choose your new Gazco fire.

For more detailed specifications, please consult your Gazco retailer. Complete installation instructions may be downloaded from [www.gazco.com](http://www.gazco.com).

## Contents

Studio Fires	127
Linea Wall Mounted Fires	131
Gas and Electric Riva Cassette Fires	132
Logic Hotbox and Convector Fires	135
Logic HE Fires	136
E-Box™ and E-Studio™ Fires	137
VFC Fires	139
Gas Fires for Stovax Classic Fireplaces	141
Fire Baskets	141

# Studio

## FIRE INFORMATION

### Open Fronted Fires

Product Code	Description	Flue Type	Gas Type	Fuel Effect	Heat Input (kW)	Heat Output (kW)	Efficiency	Remote Control	Appliance Size (mm)
⊗ 8700CHEC	Studio 1	Conventional	Nat. Gas	White Stones	6.90	1.72	25%	Sequential	See table overleaf
⊗ P8700CHEC	Studio 1	Conventional	LPG	White Stones	6.90	1.72	25%	Sequential	See table overleaf
8701CHEC	Studio 2	Conventional	Nat. Gas	White Stones	8.80	2.20	25%	Sequential	See table overleaf
P8701CHEC	Studio 2	Conventional	LPG	White Stones	9.30	2.30	25%	Sequential	See table overleaf
8702CHEC	Studio 3	Conventional	Nat. Gas	White Stones	13.20	3.30	25%	Sequential	See table overleaf
P8702CHEC	Studio 3	Conventional	LPG	White Stones	13.70	3.40	25%	Sequential	See table overleaf

### Glass Fronted Fires

Product Code	Description	Flue Type	Gas Type	Fuel Effect	Heat Input (kW)	Heat Output (kW)	Efficiency	Remote Control	Appliance Size (mm)
⊗ 8700FCHEC	Studio 1	Conventional	Nat. Gas	White Stones	6.90	4.85	70%	Sequential	See tables overleaf
⊗ P8700FCHEC	Studio 1	Conventional	LPG	White Stones	6.90	4.85	70%	Sequential	See tables overleaf
⊗ 8700BFHEC	Studio 1	Balanced flue	Nat. Gas	White Stones	6.30	5.10	81%	Sequential	See tables overleaf
⊗ P8700BFHEC	Studio 1	Balanced flue	LPG	White Stones	6.10	4.95	81%	Sequential	See tables overleaf
⊗ 8700FLEC	Studio 1	Conventional	Nat. Gas	Logs	6.70	4.70	70%	Sequential	See tables overleaf
⊗ P8700FLEC	Studio 1	Conventional	LPG	Logs	6.90	4.83	70%	Sequential	See tables overleaf
⊗ 8700BFLEC	Studio 1	Balanced flue	Nat. Gas	Logs	6.40	5.20	81%	Sequential	See tables overleaf
⊗ P8700BFLEC	Studio 1	Balanced flue	LPG	Logs	6.30	5.10	81%	Sequential	See tables overleaf
8701FCHEC	Studio 2	Conventional	Nat. Gas	White Stones	8.30	6.50	78%	Sequential	See tables overleaf
P8701FCHEC	Studio 2	Conventional	LPG	White Stones	8.30	6.50	78%	Sequential	See tables overleaf
⊗ 8701BFHEC	Studio 2	Balanced flue	Nat. Gas	White Stones	8.40	6.80	81%	Sequential	See tables overleaf
⊗ P8701BFHEC	Studio 2	Balanced flue	LPG	White Stones	7.30	5.92	81%	Sequential	See tables overleaf
8701FLEC	Studio 2	Conventional	Nat. Gas	Logs	8.50	6.65	78%	Sequential	See tables overleaf
P8701FLEC	Studio 2	Conventional	LPG	Logs	8.80	6.85	78%	Sequential	See tables overleaf
⊗ 8701BFLEC	Studio 2	Balanced flue	Nat. Gas	Logs	8.60	7.00	81%	Sequential	See tables overleaf
⊗ P8701BFLEC	Studio 2	Balanced flue	LPG	Logs	8.00	6.50	81%	Sequential	See tables overleaf
⊗ 8702BFHEC	Studio 3	Balanced flue	Nat. Gas	White Stones	9.00	7.30	81%	Sequential	See tables overleaf
⊗ P8702BFHEC	Studio 3	Balanced flue	LPG	White Stones	9.00	7.30	81%	Sequential	See tables overleaf
⊗ 8702BFLEC	Studio 3	Balanced flue	Nat. Gas	Logs	9.00	7.30	81%	Sequential	See tables overleaf
⊗ P8702BFLEC	Studio 3	Balanced flue	LPG	Logs	9.00	7.30	81%	Sequential	See tables overleaf
⊗ 8704BFLEC	Studio 22	Balanced flue	Nat. Gas	Logs	7.50	5.85	78%	Sequential	Please see page 130
⊗ P8704BFLEC	Studio 22	Balanced flue	LPG	Logs	7.00	5.46	78%	Sequential	Please see page 130

**Installing Televisions above Open Fronted Studio Fires** On a normal flue which is functioning correctly, Open Fronted Studios do not create a particularly hot environment on the wall above where they are installed. Therefore, it may be possible to install Plasma or LCD TV's above them, as long as the distance to the TV is a minimum of 450mm from the top of the fire and as long as it has been checked with the TV manufacturers installation instructions with regard to installation and heat proximity. If in doubt please contact and check with your TV manufacturer.

**Glass Fronted Studio Fires** Gazco does not recommend installation of televisions above Glass Fronted Studio fires.

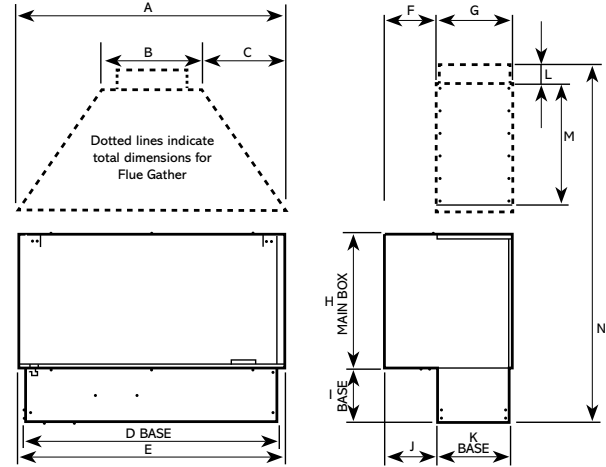
## ADDITIONAL INFORMATION FOR OPEN FRONTED STUDIO FIRES (mm)

### Appliance dimensions (mm)

Dimension		Studio 1	Studio 2	Studio 3
A	Gather width	664	864	1254
B	Gather top	250	250	325
C	Gather taper	207	307	465
D	Base width	635	835	1225
E**	Box width	660	860	1250
F	Max. lintel width	130	130	130
G	Gather depth	187	187	187
H**	Box height	334	334	334
I*	Base height	133	133	133
J	Base depth	130	130	130
K	Base	182	182	182
L	Spigot height	50	50	50
M	Gather height	300	300	700
N	Total height	817	817	1217

\* adjustable feet can increase base height by up to 235 mm

\*\* If installed with one of the Studio frames, a 5mm space must be left around the front edge of the appliance.



### Studio 2 and 3

- **Class 1 brick built flue**
  - Must be fitted with the flue gather.
- **Pre-fabricated 7" twin wall flue system suitable for gas**
  - Must be fitted with the flue gather.

**Note:** it is possible to install the Studio 2 and 3 into a Class 1 brick flue. However, this type of installation should only be undertaken by chimney specialists. This is because it will require the front wall and structure of the chimney breast to be extensively cut away to allow enough width to fit the fire and also provide access to the top of the gather to allow either -

- Connection of a 7" flexible flue liner suitable for gas
- Creation of a smooth transition between the top of the gather and the flue

### CHIMNEY TYPES

#### Studio 1

- **Class 1 brick built flue**
  - Can be fitted without the optional flue gather if the chimney is sound.
  - If the optional gather is used, then it must be connected to a 7" flexible flue liner suitable for gas.
- **Pre-fabricated 7" twin wall flue system suitable for gas**
  - Must be fitted with the optional flue gather.

### Conventional Flue Installation

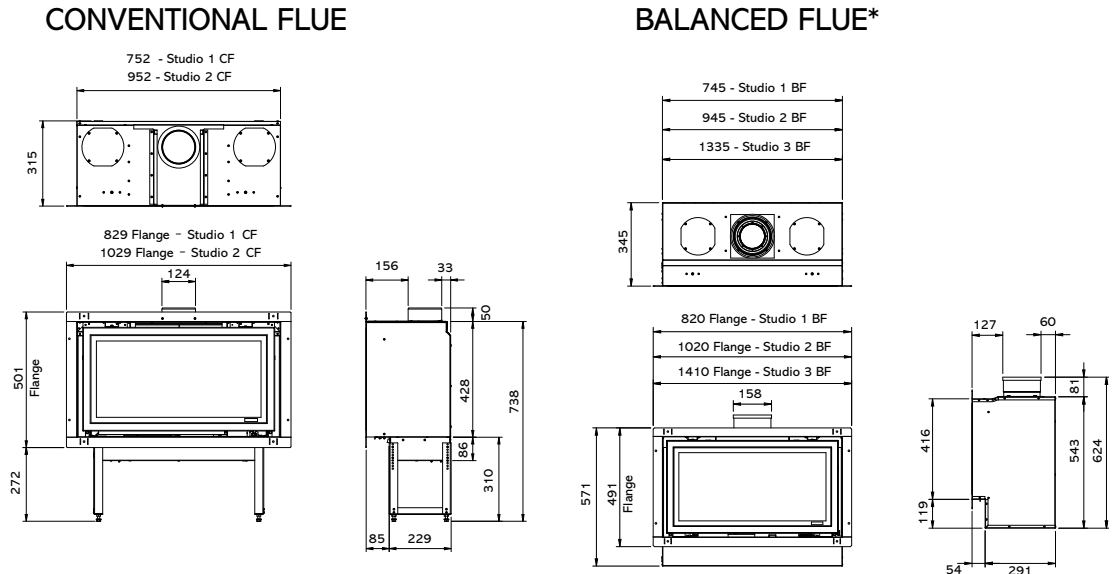
The conventionally flued Glass Fronted Studio has been designed with ease of installation in mind and can be installed two ways:

- 1) Direct connection to a 5" flue liner

or

- 5" twin wall gas vent system

- 2) No additional fluing is needed when it is installed into an existing builders opening below a masonry chimney and sealed to the fireplace opening (assuming that the chimney is of sound construction).



\* For more Balanced Flue information and options please refer to our Concentric Flue System brochure which can be viewed or downloaded online at [www.gazco.com](http://www.gazco.com)



## FRAME INFORMATION

Description	Frame Finish	Open Fronted Product Code	Frame Size (mm)			Glass Fronted CF Product Code	Frame Size (mm)			Glass Fronted BF Product Code	Frame Size (mm)		
			w	h	d		w	h	d		w	h	d
<b>STUDIO 1</b>													
Bauhaus	Anthracite	<b>8711AN</b>	764	439	28	<b>8711CFAN01</b>	860	534	28	<b>8711BFAN01</b>	850	524	28
Bauhaus	Polished Stainless Steel	<b>8711P</b>	764	439	28	<b>8711CFSS01</b>	860	534	28	<b>8711BFSS01</b>	850	524	28
Profil	Anthracite	<b>8710AN</b>	750	426	13	<b>8710CFAN01</b>	846	520	13	<b>8710BFAN01</b>	836	510	13
Profil	Polished Stainless Steel	<b>8710P</b>	750	426	13	<b>8710CFSS01</b>	846	520	13	<b>8710BFSS01</b>	836	510	13
Steel 2	Graphite	<b>923-486</b>	1118	478	14.5	<b>923-883</b>	1264	528	30	<b>923-883</b>	1264	528	30
Steel 2	Iridium	<b>923-063</b>	1118	478	14.5	<b>923-684</b>	1264	528	30	<b>923-684</b>	1264	528	30
Glass	Black Glass	<b>923-022</b>	1264	528	18	<b>923-628</b>	1264	528	33.5	<b>923-628</b>	1264	528	33.5
Andes	Oak/Walnut	<b>8723KW</b>	1332	497	21		N/A	N/A	N/A		N/A	N/A	N/A
Inca	Walnut Quarters	<b>8723WQ</b>	1200	559	27		N/A	N/A	N/A		N/A	N/A	N/A
Kepler	Solid Walnut	<b>8723SW</b>	1332	497	27		N/A	N/A	N/A		N/A	N/A	N/A
Firenza	Black Granite	<b>8723GBK</b>	1200	600	20		N/A	N/A	N/A		N/A	N/A	N/A
Pienza	White Limestone	<b>8723LMS</b>	1200	600	20		N/A	N/A	N/A		N/A	N/A	N/A
Sienna	Beige Travertine	<b>8723TRV</b>	1200	600	20		N/A	N/A	N/A		N/A	N/A	N/A

### STUDIO 2

Bauhaus	Anthracite	<b>8718AN</b>	964	439	28	<b>8718CFAN02</b>	1060	534	28	<b>8718BFAN02</b>	1050	524	28
Bauhaus	Polished Stainless Steel	<b>8718P</b>	964	439	28	<b>8718CFSS02</b>	1060	534	28	<b>8718BFSS02</b>	1050	524	28
Profil	Anthracite	<b>8717AN</b>	950	426	13	<b>8717CFAN02</b>	1046	520	13	<b>8717BFAN02</b>	1036	510	13
Profil	Polished Stainless Steel	<b>8717P</b>	950	426	13	<b>8717CFSS02</b>	1046	520	13	<b>8717BFSS02</b>	1036	510	13
Steel 2	Graphite	<b>923-738</b>	1354	508	14.5	<b>923-556</b>	1500	528	30	<b>923-556</b>	1500	528	30
Steel 2	Iridium	<b>923-109</b>	1354	508	14.5	<b>923-572</b>	1500	528	30	<b>923-572</b>	1500	528	30
Glass	Black Glass	<b>923-135</b>	1500	528	18	<b>923-535</b>	1500	528	33.5	<b>923-535</b>	1500	528	33.5
Andes	Oak/Walnut	<b>8724KW</b>	1532	497	21		N/A	N/A	N/A		N/A	N/A	N/A
Inca	Walnut Quarters	<b>8724WQ</b>	1400	559	27		N/A	N/A	N/A		N/A	N/A	N/A
Kepler	Solid Walnut	<b>8724SW</b>	1532	497	27		N/A	N/A	N/A		N/A	N/A	N/A
Firenza	Black Granite	<b>8724GBK</b>	1500	600	20		N/A	N/A	N/A		N/A	N/A	N/A
Pienza	White Limestone	<b>8724LMS</b>	1500	600	20		N/A	N/A	N/A		N/A	N/A	N/A
Sienna	Beige Travertine	<b>8724TRV</b>	1500	600	20		N/A	N/A	N/A		N/A	N/A	N/A

### STUDIO 3

Bauhaus	Anthracite	<b>8721AN</b>	1354	439	28		N/A	N/A	N/A	<b>8721BFAN03</b>	1440	524	28
Bauhaus	Polished Stainless Steel	<b>8721P</b>	1354	439	28		N/A	N/A	N/A	<b>8721BFSS03</b>	1440	524	28
Profil	Anthracite	<b>8720AN</b>	1340	426	13		N/A	N/A	N/A	<b>8720BFAN03</b>	1426	510	13
Profil	Polished Stainless Steel	<b>8720P</b>	1340	426	13		N/A	N/A	N/A	<b>8720BFSS03</b>	1426	510	13
Steel 2	Graphite	<b>923-154</b>	1844	528	14.5		N/A	N/A	N/A	<b>923-008</b>	1990	528	30
Steel 2	Iridium	<b>923-286</b>	1844	528	14.5		N/A	N/A	N/A	<b>923-405</b>	1990	528	30
Glass	Black Glass	<b>923-591</b>	1990	528	18		N/A	N/A	N/A	<b>923-084</b>	1990	528	33.5

### STUDIO 22

Bauhaus	Anthracite		N/A	N/A	N/A		N/A	N/A	N/A	<b>8728BFAN22</b>	524	1050	28
Bauhaus	Polished Stainless		N/A	N/A	N/A		N/A	N/A	N/A	<b>8728BFSS22</b>	524	1050	28
Profil	Anthracite		N/A	N/A	N/A		N/A	N/A	N/A	<b>8726BFAN22</b>	510	1036	13
Profil	Polished Stainless		N/A	N/A	N/A		N/A	N/A	N/A	<b>8726BFSS22</b>	510	1036	13
Steel	Graphite		N/A	N/A	N/A		N/A	N/A	N/A	<b>8729BFGP22</b>	675	1320	13
Steel	Iridium		N/A	N/A	N/A		N/A	N/A	N/A	<b>8729BFIR22</b>	675	1320	13
Sorrento*	Natural Limestone		N/A	N/A	N/A		N/A	N/A	N/A	<b>923-198</b>	914	1290	246
Sorrento*	Graphite Limestone		N/A	N/A	N/A		N/A	N/A	N/A	<b>923-049</b>	914	1290	246

\* Where the Studio 22 is fitted with a Sorrento surround the fire may only be installed using the rear flue exit.

## STUDIO OPTIONS AND ACCESSORIES

### Open Fronted Studio Fires

#### Product Code Description

##### Studio 1

8714GBK	Black Granite linings
8713	Flue gather*

##### Studio 2

8715GBK	Black Granite linings
---------	-----------------------

##### Studio 3

8716GBK	Black Granite linings
---------	-----------------------

\* Flue gather automatically included with Open Fronted Studio 2 and Studio 3 Fires.

### Glass Fronted Studio Fires

8572	Warm air ducting kit (2 outlets)
8524	Balanced flue kit - vertical*

##### Studio 1

8727CFEK01	Edge fitting kit for conventional flue
8727BF EK01	Edge fitting kit for balanced flue*
8727CFCW01	Cool Wall fitting kit for conventional flue
8727BFCW01	Cool Wall fitting kit for balanced flue*
8534	Balanced flue kit - up and out*

##### Studio 2

8727CFEK02	Edge fitting kit for conventional flue
8727BF EK02	Edge fitting kit for balanced flue*
8727CFCW02	Cool Wall fitting kit for conventional flue
8727BFCW02	Cool Wall fitting kit for balanced flue*
8509	Balanced flue kit - up and out*

##### Studio 3

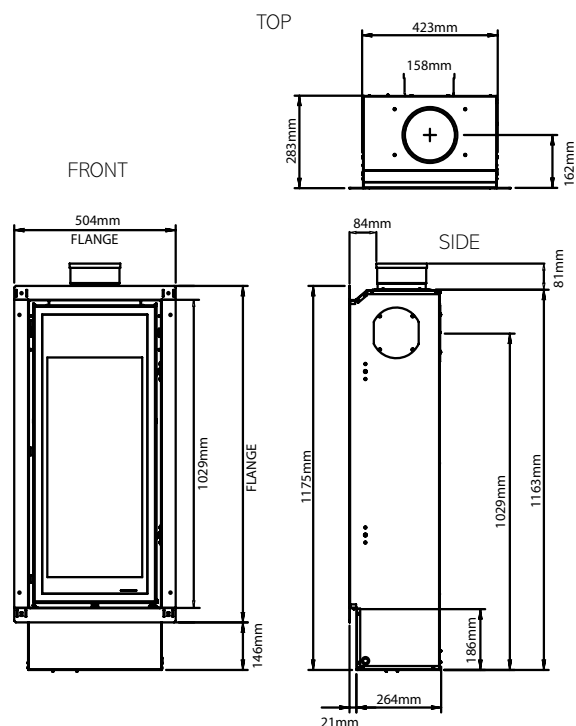
8727BF EK03	Edge fitting kit for balanced flue*
8727BFCW03	Cool Wall fitting kit for balanced flue*
8567	Balanced flue kit - up and out*

##### Studio 22

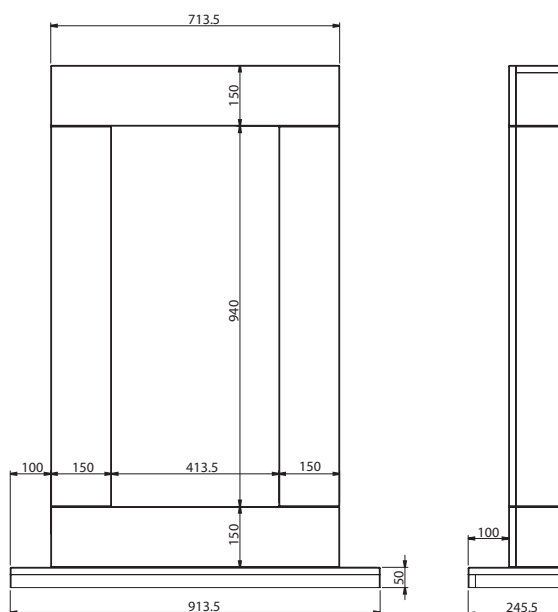
8727BF EK22	Edge fitting kit for balanced flue*
8727BFCW22	Cool Wall fitting kit for balanced flue*
8708	Balanced flue kit - rear*
8534	Balanced flue kit - up and out*

\* For more Balanced Flue information and options please refer to our Concentric Flue System brochure which can be viewed or downloaded online at [www.gazco.com](http://www.gazco.com)

## STUDIO 22 APPLIANCE DIMENSIONS (mm)



## SORRENTO DIMENSIONS (mm)



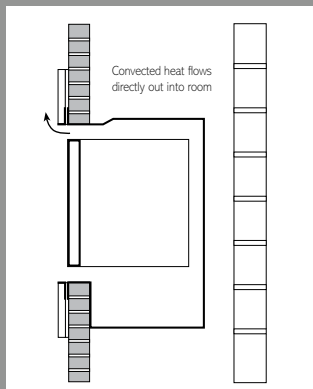
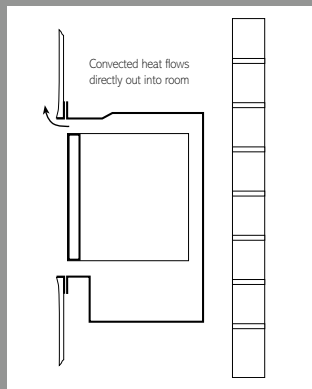
# GLASS FRONTED STUDIO EDGE INSTALLATION OPTIONS

**Edge Kit** – this kit is screw-mounted to the front flange of the outer firebox. The L-shaped attachments can either provide a 20mm return against which high temperature plasterboard/screed can be butted up for the ‘clean edge’ look or, if the firebox flange is on the outside of a brick or studwork wall, allow ceramic or stone tiles to be fixed with a similar look. The Edge Kit is finished in black to complement the Studio.

## Edge Kit

Installation method for studwork/false chimney breast application

Installation method for brick/masonry chimney breast application



When using the Edge Kit the fire is recessed by 20mm from the finished wall surface and the kit is finished in black to complement the Studio.

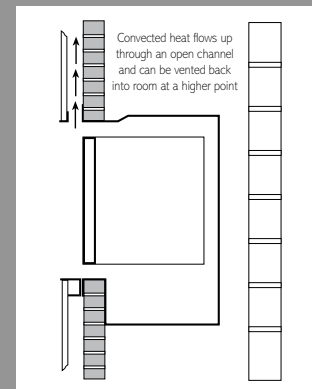
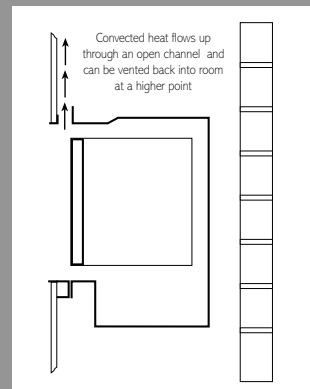
**NB:** When using the Edge Kit, heat resistant board and high temperature finishing plaster must be used. Please refer to installation instructions for full details.

**Cool Wall Kit** – again, screw-mounted to the front flange of the outer firebox, the 60mm deep U-shaped attachments of the Cool Wall Kit are designed primarily for studwork false chimney breasts. The additional depth allows some of the heat to be vented up into the void above the firebox and then re-enter the room at a higher level. The effect is to produce a cooler wall immediately above the appliance than would otherwise be the case. The Cool Wall Kit is left unfinished so that it can be painted to match the front face of your fireplace.

## Cool Wall Kit

Installation method for studwork/false chimney breast application

Installation method for brick/masonry chimney breast application



When using the Cool Wall Kit the fire is recessed by 60mm from the finished wall surface and the kit is left unfinished so that it can be painted to match your decor.

**NB:** Full installation information, including the requirement for the use of non-combustible materials, can be downloaded from [www.gazco.com](http://www.gazco.com)

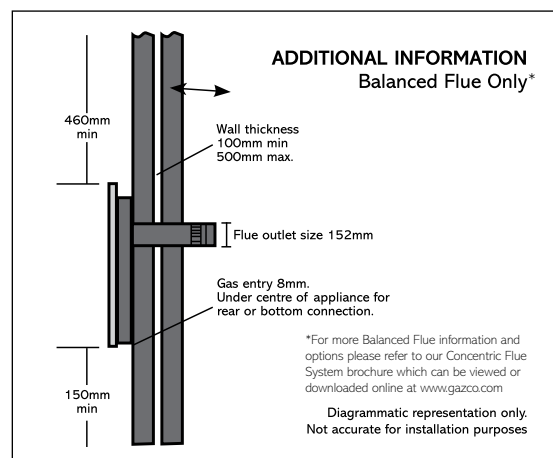
# Linea Wall Mounted Fires

## FRONT INFORMATION

Product Code	Description	Frame Finish	Frame Size (mm)		
			w	h	d
<b>Complete Front</b>					
8652GP	Designio Front	Graphite	775	620	170
8652IR	Designio Front	Iridium	775	620	170
8657GP	Steel Front	Graphite	1050	650	167
8657IR	Steel Front	Iridium	1050	650	167
945-036	Vetro Front	Black Glass	1050	650	167
8653WH	Vetro Front	White Glass	1050	650	167

## FIRE INFORMATION

Product Code	Description	Flue Type	Gas Type	Fuel Effect	Heat Input (kW)	Heat Output (kW)	Efficiency	Remote Control	Fire Size (mm)		
									w	h	d
⊗ 8651EC	Linea	Balanced flue	Nat. Gas	N/A	5.25	4.30	82%	Sequential	775	620	170
⊗ P8651EC	Linea	Balanced flue	LPG	N/A	5.25	4.30	82%	Sequential	775	620	170



# Gas and Electric Riva Cassette Fires

## FIRE INFORMATION

Product Code	Description	Flue Type	Gas Type	Fuel Effect	Heat Input (kW)	Heat Output (kW)	Efficiency	Remote Control	Opening Size (mm)		
									w	h	d
⊗ 8596	Riva 53	Conventional	Nat. Gas	Driftwood	6.80	4.90	72%	Upgradable	540	665	350
⊗ P8596	Riva 53	Conventional	LPG	Driftwood	6.60	4.80	73%	Upgradable	540	665	350
⊗ 8592	Riva 53	Balanced flue	Nat. Gas	Driftwood	6.80	5.30	78%	Upgradable	540	665	350
⊗ P8592	Riva 53	Balanced flue	LPG	Driftwood	6.30	4.90	78%	Upgradable	540	665	350
⊗ 8590LUC	Riva 67	Conventional	Nat. Gas	Logs	6.80	4.90	72%	Upgradable	670	530	350
⊗ P8590LUC	Riva 67	Conventional	LPG	Logs	6.70	4.80	72%	Upgradable	670	530	350
⊗ 8595LUC	Riva 67	Balanced flue	Nat. Gas	Logs	6.10	4.60	75%	Upgradable	670	530	350
⊗ P8595LUC	Riva 67	Balanced flue	LPG	Logs	5.80	4.40	75%	Upgradable	670	530	350
⊗ 134-031	Riva2 800	Balanced flue	Nat. Gas	Logs	9.00	7.38	82%	Sequential	906	1105	391
⊗ 134-476	Riva2 800	Balanced flue	LPG	Logs	8.40	6.89	82%	Sequential	906	1105	391
⊗ 134-225	Riva2 1050	Balanced flue	Nat. Gas	Logs	9.00	7.38	82%	Sequential	1176	896	391
⊗ 134-568	Riva2 1050	Balanced flue	LPG	Logs	8.40	6.89	82%	Sequential	1176	896	391
8590SLELR	Riva 67	N/A	Electric	Logs	2.00	2.00	99%	Remote	665	535	105

## FIRE INFORMATION

Product Code	Description	Frame Finish	Frame Size (mm)		
			w	h	d
<b>Riva 53</b>					
8632BS	Avanti vertical curve frame for conventional flue and balanced flue	Stainless Steel/Black	650	819	120
8644GP	Designio frame for conventional flue and balanced flue	Graphite	650	735	68
8644IR	Designio frame for conventional flue and balanced flue	Iridium	650	735	68
8495GP53	Profil 2 frame for conventional flue and balanced flue	Graphite	590	729	38
8495IR53	Profil 2 frame for conventional flue and balanced flue	Iridium	590	729	38
8739BK53	Spectrum frame for conventional flue and balanced flue	Black with Stainless inserts	760	729	50
<b>Riva 67 Gas</b>					
8641BS	Avanti horizontal curve frame for conventional flue and balanced flue	Stainless Steel/Black	825	699	140
8634GP	Designio frame for conventional flue and balanced flue	Graphite	775	603	68
8634IR	Designio frame for conventional flue and balanced flue	Iridium	775	603	68
8684GP	Esprit frame for conventional flue and balanced flue	Graphite	925	684	70
8684IR	Esprit frame for conventional flue and balanced flue	Iridium	925	684	70
8495GP67	Profil 2 frame for conventional flue and balanced flue	Graphite	710	590	38
8495IR67	Profil 2 frame for conventional flue and balanced flue	Iridium	710	590	38
8739BK67	Spectrum frame for conventional flue and balanced flue	Black with Stainless inserts	880	590	50
8662BK	Vetro frame for conventional flue and balanced flue	Black Glass	1052	650	92
<b>Riva2 800</b>					
934-064	Sorrento	Natural Limestone	1260	1009	200
934-287	Sorrento	Graphite Limestone	1260	1009	200
9002CLWM	Claremont (requires slip set)	Antique White Marble	1555	1143	190
9002CLTL	Claremont (requires slip set)	Limestone	1555	1143	190
9000CAWM	Cavendish Bolection (requires slip set)	Antique White Marble	1460	1320	207
9000CATL	Cavendish Bolection (requires slip set)	Limestone	1460	1320	207
9001GEWM	Georgian Roundel (requires slip set)	Antique White Marble	1460	1082	200
9001GETL	Georgian Roundel (requires slip set)	Limestone	1460	1082	200
9003GRWM	Grafton (requires slip set)	Antique White Marble	1415	1165	105
9003GRTL	Grafton (requires slip set)	Limestone	1415	1165	105
9004VIWM	Victorian Corbel (requires slip set)	Antique White Marble	1525	1170	250
9004VITL	Victorian Corbel (requires slip set)	Limestone	1525	1170	250
9005SAWM	Sandringham (requires slip set)	Antique White Marble	1550	1220	227
9005SATL	Sandringham (requires slip set)	Limestone	1550	1220	227
934-670	Slip set for Stone Mantel	Antique White Marble	N/A	N/A	N/A
934-553	Slip set for Stone Mantel	Limestone	N/A	N/A	N/A
934-241	Small Hearth for Stone Mantel	Antique White Marble	1524	53	228
934-193	Small Hearth for Stone Mantel	Limestone	1524	53	228
934-489	Large Hearth for Stone Mantel	Antique White Marble	1625	53	457
934-351	Large Hearth for Stone Mantel	Limestone	1625	53	457
<b>Riva2 1050</b>					
934-501	Sorrento	Natural Limestone	1530	801	200
934-618	Sorrento	Graphite Limestone	1530	801	200

## FIRE INFORMATION cont.

Product Code	Description	Frame Finish	Frame Size (mm)		
			w	h	d
<b>Riva 67 Electric</b>					
8661B	Arlington frame for electric fire	Black Cast Iron	940	627	75
8641BS	Avanti horizontal curve frame for electric fire	Stainless Steel/Black	825	699	140
8634GP	Designio frame for electric fire	Graphite	775	603	68
8634IR	Designio frame for electric fire	Iridium	775	603	68
8684GP	Esprit frame for electric fire	Graphite	925	684	70
8684IR	Esprit frame for electric fire	Iridium	925	684	70
8662BKEL	Vetro frame for electric fire	Black Glass	1052	650	92
8735GP	View frame for electric fire	Graphite	950	590	35
8735IR	View frame for electric fire	Iridium	950	590	35

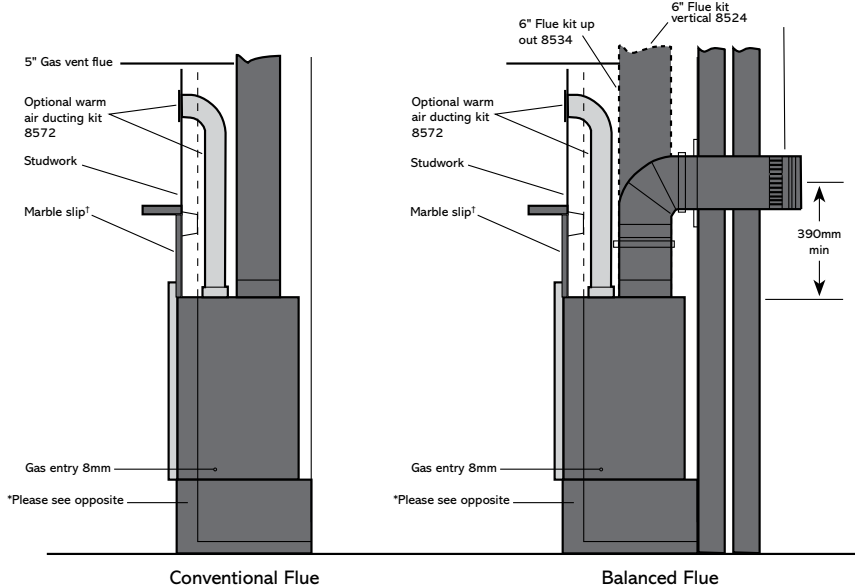
## OPTIONS AND ACCESSORIES

Product Code	Description
<b>Riva 53</b>	
8571	Fan-assisted convection circulation kit (240v) for Riva 53 conventional flue
<b>Riva 67</b>	
8571	Fan-assisted convection circulation kit (240v) for Riva 67 conventional flue
8566	Fan-assisted convection circulation kit (240v) for Riva 67 balanced flue
8736	Linerless kit
<b>Riva2</b>	
8523	Riva2 Balanced flue kit (1050 only) - up and out (1x500mm straight, 1x462mm terminal length, 1x90° bend)
8534	Balanced flue kit - up and out (1x198mm straight, 1x462mm terminal length, 1x90° bend)* (Excludes Riva2 1050)
999-440	Riva2 800 Tiled Wall Fitting Kit
999-321	Riva2 1050 Tiled Wall Fitting Kit
999-668	Riva2 Renovation Kit (see page 134)

Product Code	Description
<b>All Riva Gas Cassettes</b>	
8455	Standard Remote Control Kit
8456	Programmable Thermostatic Remote Control Kit
8572	Warm air ducting kit (2 outlets)
8524	Balanced flue kit - vertical (2x1000mm straight, 1x1000 terminal length)*
8534	Balanced flue kit - up and out (1x198mm straight, 1x462mm terminal length, 1x90° bend)* (Excludes Riva2 1050)
8454	Terminal guard (required for below 2m)
* Additional flue pipe lengths and bends are available to extend the above kits	
<b>Riva 67 Electric</b>	
8688SL	Wall mounting box for Slimline Electric Cassette 8590SLELR*

\* Arlington, Esprit and Vetro fires cannot be used in conjunction with wall mounting box. For more Balanced Flue information and options please refer to our Concentric Flue System brochure which can be viewed or downloaded online at [www.gazco.com](http://www.gazco.com)

## ADDITIONAL INFORMATION FOR RIVA 53 AND RIVA 57



Diagrammatic representation only. Not accurate for installation purposes



NOTE: New 53 and 67 conventional flue connection system means easier installation. No access to flue connector required during installation.

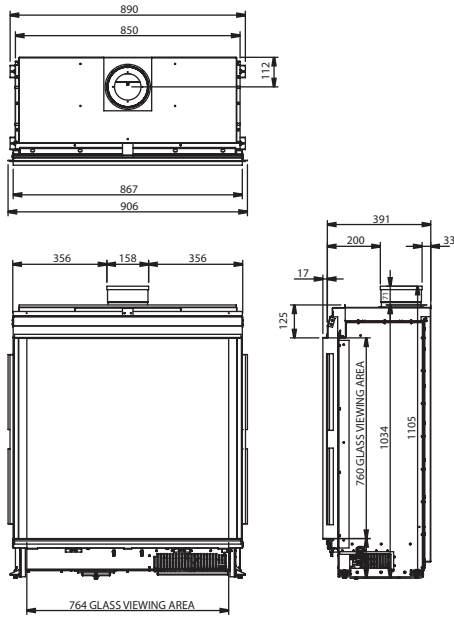
†A marble slip with a minimum width of 150mm is recommended around ALL installations. No combustible material, including wallpaper, should be less than 150mm from the appliance.

\*When installing below 150mm from the floor it is recommended that a 12mm thick non-combustible hearth is provided, extending 300mm in front and 150mm each side of the fire.

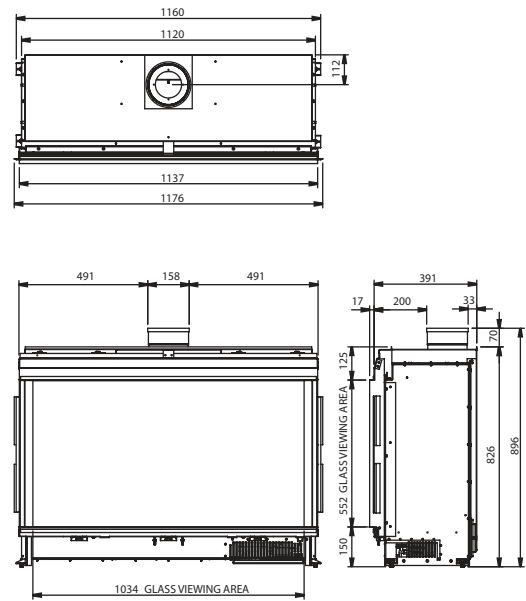
NOTE: Access to flue will be required during installation.

## ADDITIONAL INFORMATION FOR RIVA2 800 AND RIVA2 1050

### RIVA2 800 DIMENSIONS

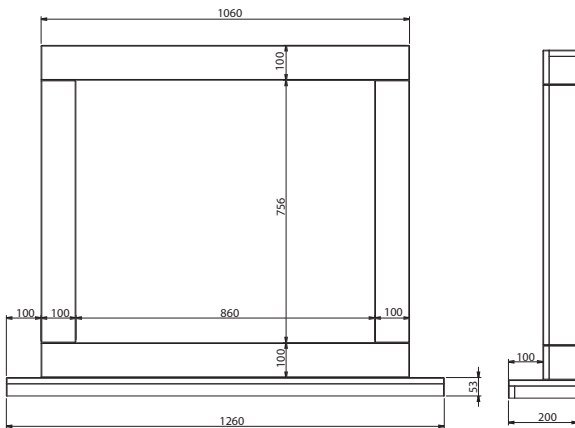


### RIVA2 1050 DIMENSIONS

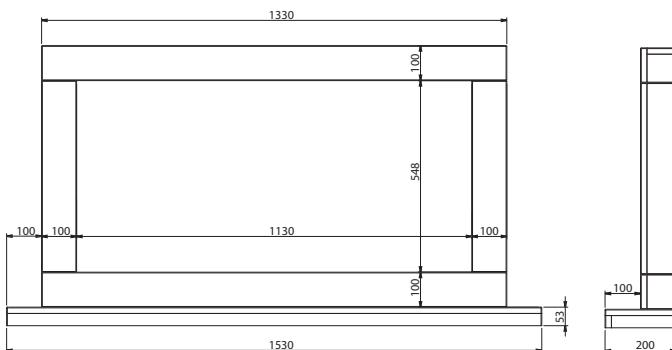


## ADDITIONAL INFORMATION FOR RIVA2 800 & RIVA2 1050

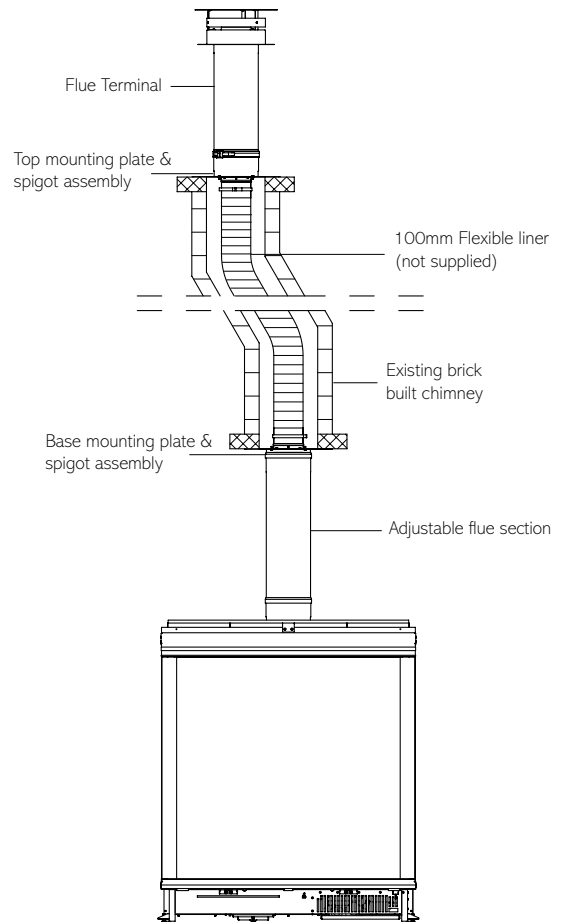
### RIVA2 800 SORRENTO DIMENSIONS



### RIVA2 1050 SORRENTO DIMENSIONS



## RIVA2 RENOVATION KIT



The Riva2 fires are available as balanced flue fires only, however, they can be installed into a conventional chimney by using this optional Riva2 Renovation Kit.

# Logic Hotbox and Convector Fires

## LOGIC HOTBOX FIRE INFORMATION

Product Code	Controls	Flue Type	Gas Type	Fuel Effect	Heat Input (kW)	Heat Output (kW)	Efficiency	Opening Size (mm)		
								w	h	d
⊗ 101-021	Manual	Class 1 & 2	Nat. Gas	Coals	6.70	3.20	48%	410	560	250
⊗ 101-512	Manual	Class 1 & 2	LPG	Coals	6.70	3.20	48%	410	560	250
⊗ 101-372	Manual	Class 1 & 2	Nat. Gas	Pebbles	6.70	3.20	48%	410	560	250
⊗ 101-788	Manual	Class 1 & 2	LPG	Pebbles	6.70	3.20	48%	410	560	250
⊗ 101-083	Remote	Class 1 & 2	Nat. Gas	Coals	6.70	3.20	48%	410	560	250
⊗ 101-741	Remote	Class 1 & 2	LPG	Coals	6.70	3.20	48%	410	560	250
⊗ 101-278	Remote	Class 1 & 2	Nat. Gas	Pebbles	6.70	3.20	48%	410	560	250
⊗ 101-589	Remote	Class 1 & 2	LPG	Pebbles	6.70	3.20	48%	410	560	250

## LOGIC CONVECTOR FIRE INFORMATION

Product Code	Controls	Flue Type	Gas Type	Fuel Effect	Heat Input (kW)	Heat Output (kW)	Efficiency	Opening Size (mm)		
								w	h	d
⊗ 101-295	Manual	Class 1 & 2	Nat. Gas	Coals	6.70	4.10	61%	410	560	250
⊗ 101-418	Manual	Class 1 & 2	LPG	Coals	6.70	4.10	61%	410	560	250
⊗ 101-100	Manual	Class 1 & 2	Nat. Gas	Pebbles	6.70	4.10	61%	410	560	250
⊗ 101-636	Manual	Class 1 & 2	LPG	Pebbles	6.70	4.10	61%	410	560	250
⊗ 101-349	Remote	Class 1 & 2	Nat. Gas	Coals	6.70	4.10	61%	410	560	250
⊗ 101-528	Remote	Class 1 & 2	LPG	Coals	6.70	4.10	61%	410	560	250
⊗ 101-190	Remote	Class 1 & 2	Nat. Gas	Pebbles	6.70	4.10	61%	410	560	250
⊗ 101-434	Remote	Class 1 & 2	LPG	Pebbles	6.70	4.10	61%	410	560	250

## FRAME AND FRONT INFORMATION

Product Code	Description	Frame Finish	Frame Size (mm)			Product Code	Description	Frame Finish	Frame Size (mm)	
			w	h	d				w	h
<b>Complete Front Choice</b>					<b>Fire Front Choice</b>					
8251GP	Designio front	Graphite	595	615	68	901-425	Arts fire front†	Matt Black	390	230
8251IR	Designio front	Iridium	595	615	68	901-530	Arts fire front†	Polished Brass-effect	390	230
8681MB	Dimension front	Matt Black	540	635	68	901-476	Arts fire front†	Polished Chrome-effect	390	230
8255BS	Evolution front (Hotbox)	Stainless Steel	489	597	45	901-296	Arts fire front †	Highlight Polished	390	230
8257BS	Evolution front (Convector)	Stainless Steel	489	597	45	901-327	Holyrood fire front	Matt Black with Brass finials	385	265
8253IR	Progress front	Iridium	520	598	60	901-193	Holyrood fire front	Polished Brass - black columns & brass finials	385	265
8698MB	Winchester front	Matt Black	508	619	55	901-166	Holyrood fire front	Highlight Polished	385	210
8698P	Winchester front	Polished	508	619	55	901-079	Holyrood fire front	Polished Chrome	385	210
<b>Fire Front Choice (if using a Decorative or Profil frame)</b>					<b>Fire Frame Choice</b>					
901-425	Arts fire front†	Matt Black	390	230	8284MB	Arts frame	Matt Black	510	605	
901-530	Arts fire front†	Polished Brass-effect	390	230	8284PBR	Arts frame	Polished Brass	510	605	
901-476	Arts fire front†	Polished Chrome-effect	390	230	8284P	Arts frame	Polished Stainless Steel	510	605	
901-296	Arts fire front †	Highlight Polished	390	230	8284BS	Arts frame	Brushed Stainless Steel	510	605	
8391	Holyrood fire front	Matt Black with Brass finials	385	265	8285	Decorative frame	Matt Black	505	610	
8397	Holyrood fire front	Polished Brass - black columns & brass finials	385	265	8266	Decorative frame	Polished Brass	505	610	
8150	Holyrood fire front	Highlight Polished	385	210	8232	Decorative frame	Polished Stainless Steel	505	610	
8397P	Holyrood fire front	Polished Chrome	385	210	8235	Decorative frame	Brushed Stainless Steel	505	610	
8382	Spanish fire front	Matt Black	385	210	8345	Profil (Standard) frame	Matt Black	490	600	
8388	Spanish fire front	Polished Brass	385	210	8340	Profil (Standard) frame	Polished Brass	490	600	
8153	Spanish fire front	Highlight Polished	385	210	8342	Profil (Standard) frame	Polished Stainless Steel	490	600	
8388P	Spanish fire front	Polished Chrome	385	210	8229	Profil (Standard) frame	Brushed Stainless Steel	490	600	
					8280	Profil (Wide) frame	Polished Brass	490	600	
					901-219	Box Profil frame	Matt Black	503	604	
					901-178	Box Profil frame	Polished Brass-effect	503	604	
					901-269	Box Profil frame	Brushed Stainless Steel-effect	503	604	
					901-344	Box Profil frame	Polished Stainless Steel-effect	503	604	

† NB: If the Arts front is ordered with a Decorative or Profil frame, a fixing kit (8289) will be supplied free of charge.

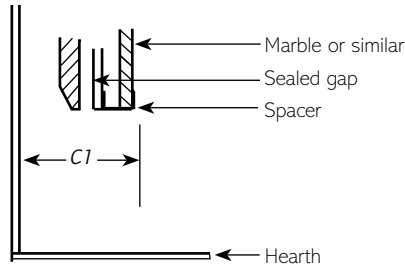
## OPTIONS AND ACCESSORIES

Product Code	Description
8315	Spacer kit (75mm) for Logic Hotbox and Logic Convector

## ADDITIONAL INFORMATION FOR LOGIC HOTBOX & CONVECTOR FIRES

If you are fitting a Decorative or Profil frame with an Arts Front, an additional fitting kit will be provided to ease installation. You can install a Logic Convector Fire with a Stovax Cast Iron Victorian, Art Nouveau or Combination Fireplace. Conventional Logic Hotbox and Logic Convector fires require 5" minimum flue sizes. Please consult your local Gazco and Stovax dealer for further information.

### Installation of Logic Hotbox or Logic Convector into Pre Cast Flues (minimum 16,500mm<sup>2</sup>)



If your chimney has a shallow 'starter block' then use spacer kit 8315 and a 3" (75mm) deep rebate surround to achieve the C1 dimension. Pre cast flues with a deep 'starter block' may be installed in exactly the same way as a conventional masonry opening providing there is a depth of 8½" (215mm) at C1.

Diagrammatic representation only. Not accurate for installation purposes.

# Logic HE Convector Fires

## LOGIC HE FIRE INFORMATION

Product Code	Flue Type	Gas Type	Fuel Effect	Heat Input (kW)	Heat Output (kW)	Efficiency	Control	Opening Size (mm)		
								w	h	d
⊗ 101-151	Conventional	Nat. Gas	Coals	5.10	3.80	76%	Manual	410	560	250
⊗ 101-497	Conventional	LPG	Coals	4.80	3.70	76%	Manual	410	560	250
⊗ 101-324	Conventional	Nat. Gas	White Stones	4.30	3.10	72%	Manual	410	560	250
⊗ 101-651	Conventional	LPG	White Stones	4.30	3.10	72%	Manual	410	560	250
⊗ 101-135	Balanced flue	Nat. Gas	Coals	4.00	3.28	82%	Manual	420	560	165
⊗ 101-458	Balanced flue	LPG	Coals	4.00	3.28	82%	Manual	420	560	165
⊗ 101-208	Balanced flue	Nat. Gas	White Stones	3.40	2.72	80%	Manual	420	560	165
⊗ 101-687	Balanced flue	LPG	White Stones	3.40	2.72	80%	Manual	420	560	165

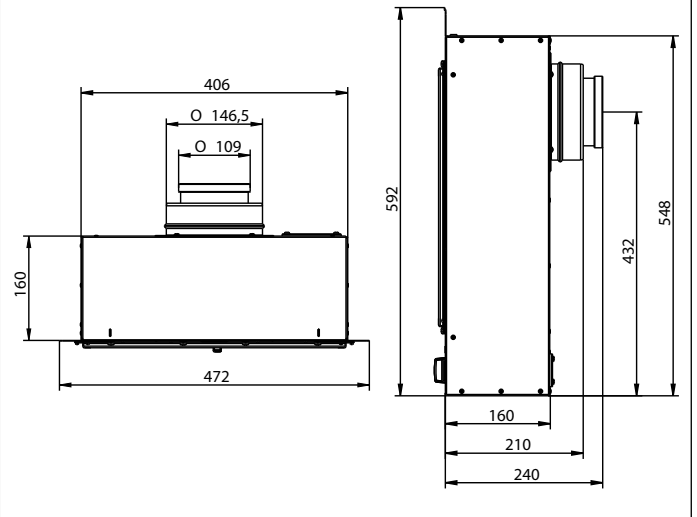
## FRAME AND FRONT INFORMATION

Product Code	Description	Frame Finish	Frame Size (mm)		
			w	h	d
<b>Complete Front Choice</b>					
912-396	Designio front	Graphite	595	615	68
912-018	Designio front	Iridium	595	615	68
8680MB	Dimension front	Matt Black	540	635	68
912-239	Progress front	Iridium	520	598	60
8697MB	Winchester	Matt Black	508	619	55
8697HP	Winchester	Polished	508	619	55
8695GP*	Steel	Graphite	850	670	32
8695IR*	Steel	Iridium	850	670	32
<b>Fire Front Choice</b>					
901-425	Arts front	Matt Black	390	230	-
901-530	Arts front	Polished Brass-effect	390	230	-
901-476	Arts front	Polished Chrome-effect	390	230	-
901-296	Arts front	Highlight Polished	390	230	-
8693MB	Holyrood front	Matt Black	385	210	-
8693PBB	Holyrood front	Polished Brass with black columns	385	210	-
8693HP	Holyrood front	Highlight Polished	385	210	-
8693P	Holyrood front	Polished Chrome	385	210	-
8694MB	Spanish front	Matt Black	385	210	-
8694HP	Spanish front	Highlight Polished	385	210	-
8694PBR	Spanish front	Polished Brass	385	210	-
8694P	Spanish front	Polished Chrome	385	210	-
<b>Fire Frame Choice</b>					
912-263	Box Profil frame	Matt Black	503	604	-
912-374	Box Profil frame	Polished Brass-effect	503	604	-
912-307	Box Profil frame	Polished Stainless Steel-effect	503	604	-
912-189	Box Profil frame	Brushed Stainless Steel-effect	503	604	-

\* White stone Logic HE only.

## ADDITIONAL INFORMATION

### Logic HE Balanced Flue





# E-Box™

## E-BOX™ FIRE INFORMATION

Product Code	Description	Flue Type	Gas Type	Fuel Effect	Heat Input (kW)	Heat Output (kW)	Efficiency	Remote Control	Opening Size (mm)		
									w	h	d
⊗ 112-302	E-Box™	Conventional	Nat. Gas	Coals	5.10	3.80	76%	Sequential	410	560	250
⊗ 112-494	E-Box™	Conventional	LPG	Coals	4.80	3.70	76%	Sequential	410	560	250
⊗ 112-177	E-Box™	Conventional	Nat. Gas	Pebbles	5.10	3.80	76%	Sequential	410	560	250
⊗ 112-419	E-Box™	Conventional	LPG	Pebbles	4.80	3.70	76%	Sequential	410	560	250
⊗ 112-360	E-Box™	Balanced flue	Nat. Gas	Coals	4.10	3.52	86%	Sequential	410	560	235
⊗ 112-617	E-Box™	Balanced flue	LPG	Coals	4.10	3.52	86%	Sequential	410	560	235
⊗ 112-196	E-Box™	Balanced flue	Nat. Gas	Pebbles	4.10	3.52	86%	Sequential	410	560	235
⊗ 112-540	E-Box™	Balanced flue	LPG	Pebbles	4.10	3.52	86%	Sequential	410	560	235

## FRAME AND FRONT INFORMATION

Product Code	Description	Frame Finish	Frame Size (mm)		
			w	h	d
<b>Complete Front Choice</b>					
8699GP	Fusion	Graphite	520	1127	38
8699IR	Fusion	Iridium	520	1127	38
8687BK	Futura	Black Glass	520	1127	48
912-396	Designio front	Graphite	595	615	68
912-018	Designio front	Iridium	595	615	68
8680MB	Dimension front	Matt Black	540	635	68
912-601	Evolution front	Stainless Steel	489	597	45
912-239	Progress front	Iridium	520	598	60
8679	Richmond front	Black Cast Iron	540	665	50
8696	Stockton Inset front	Black Cast Iron	529	601	128
8697MB	Winchester	Matt Black	508	619	55
8697P	Winchester	Polished	508	619	55

Product Code	Description	Frame Finish	Frame Size (mm)	
			w	h
<b>Fire Frame Choice</b>				
912-284	Arts frame	Matt Black	510	605
912-775	Arts frame	Polished Brass	510	605
912-658	Arts frame	Polished Stainless Steel	510	605
912-402	Arts frame	Brushed Stainless Steel	510	605
912-263	Box Profil frame	Matt Black		
912-374	Box Profil frame	Polished Brass		
912-307	Box Profil frame	Polished Stainless Steel-effect		
912-189	Box Profil frame	Brushed Stainless Steel-effect		
<b>Fire Front Choice</b>				
901-425	Arts front	Matt Black	390	230
8282PBR	Arts front	Polished Brass	390	230
8282P	Arts front	Polished Chrome	390	230
901-296	Arts front	Highlight Polished	390	230
901-530	Arts front	Polished Brass-effect	390	230
901-476	Arts front	Polished Chrome-effect	390	230
8693MB	Holyrood front	Matt Black	385	210
8693PBB	Holyrood front	Polished Brass with black columns	385	210
8693HP	Holyrood front	Highlight Polished	385	210
8693P	Holyrood front	Polished Chrome	385	210
8694MB	Spanish front	Matt Black	385	210
8694HP	Spanish front	Highlight Polished	385	210
8694PBR	Spanish front	Polished Brass	385	210
8694P	Spanish front	Polished Chrome	385	210

## OPTIONS AND ACCESSORIES

Product Code	Description
8315	Spacer kit (75mm) for conventional flue E-Box™

# E-Studio™

## E-STUDIO™ FIRE INFORMATION

Product Code	Description	Flue Type	Gas Type	Fuel Effect	Heat Input (kW)	Heat Output (kW)	Efficiency	Remote Control	Opening Size (mm)		
									w	h	d
⊗ 112-284	E-Studio™	Conventional	Nat. Gas	White Stones	4.30	3.10	72%	Sequential	410	560	250
⊗ 112-597	E-Studio™	Conventional	LPG	White Stones	4.30	3.10	72%	Sequential	410	560	250
⊗ 112-236	E-Studio™	Balanced flue	Nat. Gas	White Stones	4.30	3.50	82%	Sequential	410	560	235
⊗ 112-732	E-Studio™	Balanced flue	LPG	White Stones	3.75	3.00	79%	Sequential	410	560	235

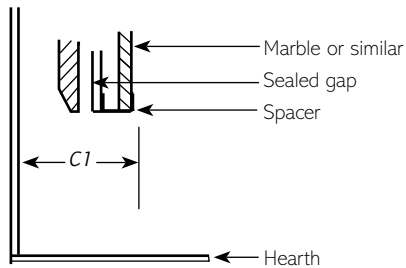
## FRAME AND FRONT INFORMATION

Product Code	Description	Frame Finish	Frame Size (mm)		
			w	h	d
<b>Complete Front Choice</b>					
8699GP	Fusion	Graphite	520	1127	38
8699IR	Fusion	Iridium	520	1127	38
8687BK	Futura	Black Glass	520	1127	48
912-396	Designio front	Graphite	595	615	68
912-018	Designio front	Iridium	595	615	68
8680MB	Dimension front	Matt Black	540	635	68
912-601	Evolution front	Stainless Steel	489	597	45
912-239	Progress front	Iridium	520	598	60
8695GP	Steel front	Graphite	850	670	32
8695IR	Steel front	Iridium	850	670	32
8697MB	Winchester	Matt Black	508	619	55
8697P	Winchester	Polished	508	619	55

Product Code	Description	Frame Finish	Frame Size (mm)	
			w	h
<b>Fire Frame Choice</b>				
912-284	Arts frame	Matt Black	510	605
912-775	Arts frame	Polished Brass	510	605
912-658	Arts frame	Polished Stainless Steel	510	605
912-402	Arts frame	Brushed Stainless Steel	510	605
912-263	Box Profil frame	Matt Black	503	604
912-374	Box Profil frame	Polished Brass	503	604
912-307	Box Profil frame	Polished Stainless Steel-effect	503	604
912-189	Box Profil frame	Brushed Stainless Steel-effect	503	604
<b>Fire Front Choice</b>				
901-425	Arts fire front	Matt Black	390	230
8282PBR	Arts fire front	Polished Brass	390	230
8282P	Arts fire front	Polished Chrome	390	230
901-296	Arts fire front	Highlight Polished	390	230
901-530	Arts fire front	Polished Brass-effect	390	230
901-476	Arts fire front	Polished Chrome-effect	390	230

## ADDITIONAL INFORMATION

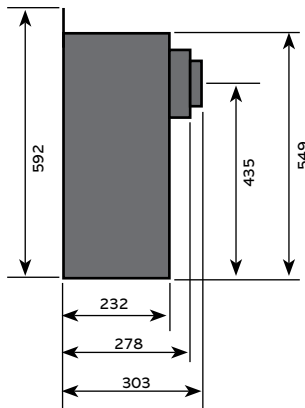
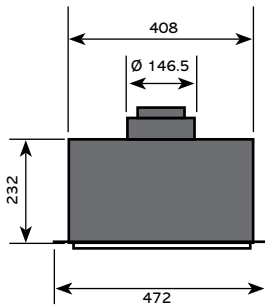
Installation of E-Box™, E-Studio™ Conventional Flue into Pre-cast Flue installations. (minimum 16,500mm<sup>2</sup>)



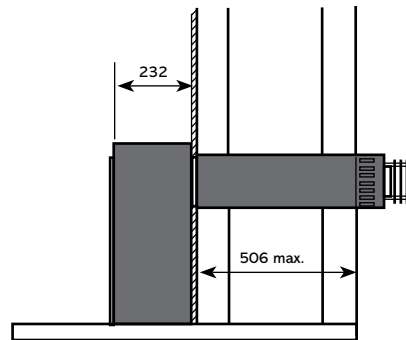
If your chimney has a shallow 'starter block' then use spacer kit 8315 and a 3" (75mm) deep rebate surround to achieve the C1 dimension. Pre cast flues with a deep 'starter block' may be installed in exactly the same way as a conventional masonry opening providing there is a depth of 8½" (215mm) at C1.

Installation of E-Box™, E-Studio™ Balanced Flue \*

Overall external dimensions (mm)



Min and max flue size length (mm)



**Additional Note:** Conventional E-Box™, E-Studio™ fires require a minimum flue size of 5".

Diagrammatic representation only. Not accurate for installation purposes.

E-Box™ Balanced Flue

Minimum Flue Length = 88mm

Maximum Flue Length = 506mm

Recessed in to a cavity or a false chimney breast

\* For more Balanced Flue information and options please refer to our Concentric Flue System brochure which can be viewed or downloaded online at [www.gazco.com](http://www.gazco.com)

# VFC Fires

## FIRE INFORMATION

Product Code	Description	Flue Type	Gas Type	Fuel Effect	Heat Input (kW)	Heat Output (kW)	Efficiency	Remote Control	Opening Size (mm)		
									w	h	d
<b>16" VFC Convector Fires</b>											
8420UC	VFC Convector 16"	Class1/PF	Nat. Gas	Coals	9.45	4.75	50%	Upgradable	410	560	310
P8420UC	VFC Convector 16"	Class1/PF	LPG	Coals	9.50	4.75	50%	Upgradable	410	560	310
⊗ 8421UC	VFC Convector 16" (RD)	Class1/PF	Nat. Gas	Coals	6.85	3.43	50%	Upgradable	410	560	310
⊗ P8421UC	VFC Convector 16" (RD)	Class1/PF	LPG	Coals	6.65	3.30	50%	Upgradable	410	560	310

### 22" VFC Convector Fires

8430UC	VFC Convector 22"	Class1/PF	Nat. Gas	Coals	12.30	6.15	50%	Upgradable	560	560	310
P8430UC	VFC Convector 22"	Class1/PF	LPG	Coals	12.70	6.35	50%	Upgradable	560	560	310

### 16" VFC Tapered Fires

8300UC	VFC Tapered 16"	Class 1	Nat. Gas	Coals	9.45	2.35	25%	Upgradable	See table overleaf		
P8300UC	VFC Tapered 16"	Class 1	LPG	Coals	9.50	2.40	25%	Upgradable	See table overleaf		
⊗ 8301UC	VFC Tapered 16" (RD)	Class 1	Nat. Gas	Coals	6.85	1.70	25%	Upgradable	See table overleaf		
⊗ P8301UC	VFC Tapered 16" (RD)	Class 1	LPG	Coals	6.65	1.65	25%	Upgradable	See table overleaf		

### 22" VFC Tapered Fires

8310UC	VFC Tapered 22"	Class 1	Nat. Gas	Coals	12.30	3.05	25%	Upgradable	See table overleaf		
P8310UC	VFC Tapered 22"	Class 1	LPG	Coals	12.70	3.05	24%	Upgradable	See table overleaf		

RD = Reduced Draught Fire (input below 7kW so no additional ventilation required)

Class1/PF = Suitable for Class 1 chimneys or a powered flue installation

## FRAME AND FRONT INFORMATION

Product Code	Description	Frame Finish	Frame Size (mm)		
			w	h	d
<b>16" VFC Convector Complete Front Choice</b>					
8251GP	Designio front	Graphite	595	615	68
8251IR	Designio front	Iridium	595	615	68
8257BS	Evolution front	Stainless Steel	489	597	45
8253IR	Progress front	Iridium	520	598	60
8678	Richmond front	Black Cast Iron	540	635	50
956-355	Box Profil/Arts Paired	Matt Black	503	604	90
956-519	Box Profil/Arts Paired	Polished Brass-effect	503	604	90
956-083	Box Profil/Arts Paired	Polished Steel-effect	503	604	90
956-616	Box Profil/Arts Paired	Brushed Steel-effect	503	604	90
<b>22" VFC Convector Complete Front Choice</b>					
8252GP	Designio front	Graphite	730	615	68
8252IR	Designio front	Iridium	730	615	68
8259BS	Evolution front	Stainless Steel	639	597	45
8254IR	Progress front	Iridium	670	598	60

The above information is to assist you in your choice of a suitable Gazco fire. This is not intended to be all the information required to install your fire. This can be obtained from your local Gazco retailer or you can download the full installation instructions from the Gazco website at [www.gazco.com](http://www.gazco.com)

# VFC Fires

## FRAME AND FRONT INFORMATION cont'd.

### VFC Convector and VFC Tapered Fire Front Choice

Description	Frame Finish	Product Code	16" Fires		22" Fires		
			Dimensions (mm)		Product Code	Dimensions (mm)	
			w	h		w	h
Arts fire front	Matt Black	901-425	390	230	N/A	N/A	N/A
Arts fire front	Polished Brass	8282PBR	390	230	N/A	N/A	N/A
Arts fire front	Polished Chrome	8282P	390	230	N/A	N/A	N/A
Arts fire front	Highlight Polished	901-296	390	230	N/A	N/A	N/A
Holyrood fire front	Matt Black with brass finials	8391	385	265	8393	540	265
Holyrood fire front	Polished Brass with black columns	8397	385	265	8399	540	265
Holyrood fire front	Highlight Polished	8150	385	210	8152	540	210
Holyrood fire front	Polished Chrome	8397P	385	210	8399P	540	210
Spanish fire front	Matt Black	8382	385	210	8384	540	210
Spanish fire front	Polished Brass	8388	385	210	8390	540	210
Spanish fire front	Highlight Polished	8153	385	210	8155	540	210
Spanish fire front	Polished Chrome	8388P	385	210	8390P	540	210

### VFC Convector Frame Choice

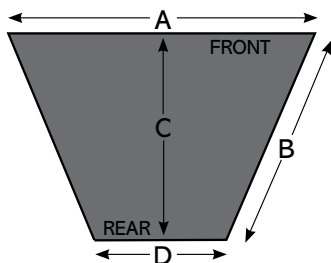
Description	Frame Finish	Product Code	16" Convector Fires		22" Convector Fires		
			Dimensions (mm)		Product Code	Dimensions (mm)	
			w	h		w	h
Arts frame	Matt Black	8284MB	510	605	N/A	N/A	N/A
Arts frame	Polished Brass	8284PBR	510	605	N/A	N/A	N/A
Arts frame	Polished Stainless Steel	8284P	510	605	N/A	N/A	N/A
Arts frame	Brushed Stainless Steel	8284BS	510	605	N/A	N/A	N/A
Decorative frame #	Matt Black	8285	505	610	8287	655	605
Decorative frame #	Polished Brass	8266	505	610	8268	655	605
Decorative frame #	Polished Stainless Steel	8232	505	610	8234	655	605
Decorative frame #	Brushed Stainless Steel	8235	505	610	8237	655	605
Profil (Standard) frame #	Matt Black	8345	490	600	8365	640	600
Profil (Standard) frame #	Polished Brass	8340	490	600	8360	640	600
Profil (Standard) frame #	Polished Stainless Steel	8342	490	600	8362	640	600
Profil (Standard) frame #	Brushed Stainless Steel	8229	490	600	8231	640	600
Profil (Wide) frame #	Polished Brass	8280	490	600	N/A	N/A	N/A

## ADDITIONAL INFORMATION

You can install a VFC Convector Fire with a Stovax Cast Iron Victorian, Art Nouveau or Combination Fireplace. Please consult your local Gazco and Stovax dealer for further information.

# If you are fitting a Decorative or Profil frame with an Arts Front, an additional fitting kit will be provided to ease installation.

\*\* The power flue kit includes 500mm flue pipe. Any extra flue pipe needs to be purchased separately, and needs to be of 125mm twin wall construction (not supplied by Gazco).



	16"	22"
A	15" 380mm	20 <sup>3</sup> / <sub>4</sub> " 527mm
B	7 <sup>1</sup> / <sub>2</sub> " 190mm	7 <sup>1</sup> / <sub>2</sub> " 190mm
C	7" 180mm	7" 180mm
D	10 <sup>1</sup> / <sub>4</sub> " 260mm	16 <sup>1</sup> / <sub>4</sub> " 414mm

## OPTIONS AND ACCESSORIES

Product Code	Description
8455	Standard remote control kit for VFC Convector
8435	Power Flue kit for VFC coal convector fires, with brass wall switch. **
8435BS	Power Flue kit for VFC coal convector fires, with brushed steel wall switch **
8448	Rear exit flue adaptor for power flue kit
8449	Top exit flue adaptor for power flue kit
999-159	Safety terminal guard (required if power flue outlet is below 2 metres)

**Additional Note:** VFC fires require 7" minimum flue size.

# Gas Fires for Stovax Classic Fireplaces

## FIRE INFORMATION

Product Code	Fireplace	Flue Type	Gas Type	Fuel Effect	Heat Input (kW)	Heat Output (kW)
8000MCUC	Victorian Tiled Insert	Class 1	Nat. Gas	Coals	10.00	2.00
P8000MCUC	Victorian Tiled Insert	Class 1	LPG	Coals	10.00	2.00
8210MCUC	Victorian Tiled Front	Class 1	Nat. Gas	Coals	12.00	2.40
P8210MCUC	Victorian Tiled Front	Class 1	LPG	Coals	12.00	2.40
8002MCUC	Horseshoe Insert	Class 1	Nat. Gas	Coals	10.00	2.00
P8002MCUC	Horseshoe Insert	Class 1	LPG	Coals	10.00	2.00
8004MCUC	Adelaide Insert	Class 1	Nat. Gas	Coals	10.00	2.00
P8004MCUC	Adelaide Insert	Class 1	LPG	Coals	10.00	2.00
8041MCUC	Regency Hob Insert	Class 1	Nat. Gas	Coals	9.00	1.80
P8041MCUC	Regency Hob Insert	Class 1	LPG	Coals	9.00	1.80
8062MCUC	Combination Insert	Class 1	Nat. Gas	Coals	10.00	2.00
P8062MCUC	Combination Insert	Class 1	LPG	Coals	10.00	2.00
8064MCUC	Arched Insert	Class 1	Nat. Gas	Coals	10.00	2.00
P8064MCUC	Arched Insert	Class 1	LPG	Coals	10.00	2.00
8102MCUC	Art Nouveau Tiled Insert	Class 1	Nat. Gas	Coals	10.00	2.00
P8102MCUC	Art Nouveau Tiled Insert	Class 1	LPG	Coals	10.00	2.00
8202MCUC	Art Nouveau Tiled Front	Class 1	Nat. Gas	Coals	12.00	2.40
P8202MCUC	Art Nouveau Tiled Front	Class 1	LPG	Coals	12.00	2.40
8300UC	Poppy & Wheatsheaf Tiled Front	Class 1	Nat. Gas	Coals	9.45	2.35
P8300UC	Poppy & Wheatsheaf Tiled Front	Class 1	LPG	Coals	9.50	2.40
⊗ 8301UC	Poppy & Wheatsheaf Tiled Front (RD)	Class 1	Nat. Gas	Coals	6.85	1.70
⊗ P8301UC	Poppy & Wheatsheaf Tiled Front (RD)	Class 1	LPG	Coals	6.65	1.65
8023MCUC	Knightsbridge & Kensington Insert	Class 1	Nat. Gas	Coals	16.0	3.20
P8023MCUC	Knightsbridge & Kensington Insert	Class 1	LPG	Coals	16.0	3.20
8023LUC	Knightsbridge & Kensington Insert	Class 1	Nat. Gas	Logs	16.0	3.20
P8023LUC	Knightsbridge & Kensington Insert	Class 1	LPG	Logs	16.0	3.20

RD = Reduced Draught Fire (input below 7kW so no additional ventilation required)

## OPTIONS AND ACCESSORIES

Product Code	Description
8455	Standard remote control kit

## Fire Baskets

Model	Gas Controls		Overall Dimensions wxhxd in mm			Fuel Options					Gas Heat Outputs (kW)					
	Front	Right side	Small	Medium	Large	Solid fuels	Electric coals	Gas coals	Gas logs	Gas driftwood	Small		Medium		Large	
											In	Out	In	Out	In	Out
Amhurst*†	✓	✓	395x330x275	520x330x280	–	✓	✓	✓	✓	✓	12.0	2.4	15.0	3.0	–	–
Art Deco*†	✓	✓	395x305x280	520x305x280	–	✓	✓	✓	✓	✓	12.0	2.4	15.0	3.0	–	–
Ascot*	–	✓	735x355x405	–	–	✓	✓	✓	✓	✓	15.0	3.0	–	–	–	–
Audley*	–	✓	520x300x280	–	–	✓	✓	✓	✓	✓	15.0	3.0	–	–	–	–
Cheltenham*	–	✓	535x485x305	–	–	✓	✓	✓	✓	✓	15.0	3.0	–	–	–	–
Cromwell	✓	–	395x150x250	–	490x150x275	✓	–	✓	✓	✓	12.0	2.4	–	–	15.0	3.0
Halifax*	–	✓	520x455x280	–	–	✓	✓	✓	✓	✓	15.0	3.0	–	–	–	–
Harlech*	–	✓	520x485x280	–	–	✓	✓	✓	✓	✓	15.0	3.0	–	–	–	–
Kendal*	–	✓	900x660x430	–	–	✓	✓	✓	✓	✓	15.0	3.0	–	–	–	–
Ludlow*	–	✓	560x645x280	–	–	✓	✓	✓	✓	✓	15.0	3.0	–	–	–	–
Melbury*	–	✓	740x645x405	–	–	✓	✓	✓	✓	✓	15.0	3.0	–	–	–	–
Milan †	✓	✓	601x305x378	727x305x378	–	✓	✓	✓	✓	✓	12.0	2.4	15.0	3.0	–	–
Montrose*	–	✓	740x580x405	–	–	✓	✓	✓	✓	✓	15.0	3.0	–	–	–	–
Portland*	–	✓	520x305x280	–	–	✓	✓	✓	✓	✓	15.0	3.0	–	–	–	–
Portland Extended*	–	✓	735x305x308	–	–	✓	✓	✓	✓	✓	15.0	3.0	–	–	–	–
Rochester*	✓	✓	520x415x280	–	–	✓	✓	✓	✓	✓	15.0	3.0	–	–	–	–
Spanish	✓	–	447x235x318	–	525x235x369	✓	✓	✓	✓	✓	13.0	2.6	–	–	15.0	3.0
Stratford*	✓	✓	520x330x280	–	–	✓	✓	✓	✓	✓	15.0	3.0	–	–	–	–

\* Allow 150mm between basket and fireplace opening to reach right hand side controls.

\*\* All electric fire basket controls are located at the front of the basket.

† Please note the Small Amhurst, Small Art Deco and Small Milan can be supplied as reduced draft versions where the input is under 7kW. This means that no air vent will be required.

# Exclusive Fireplace Surround Packages

A bespoke collection of Ceramic & Natural Stone tiles to enhance and complement your Gazco fire.

The space in which you live is an expression of your individual style and at the very heart of your home is the fireplace. It is a focal point that not only extends the warmest of welcomes to your family and friends, and the one around which they will gather naturally, but it also offers you the opportunity to make a design statement that marks out the room even when the fire is not lit.

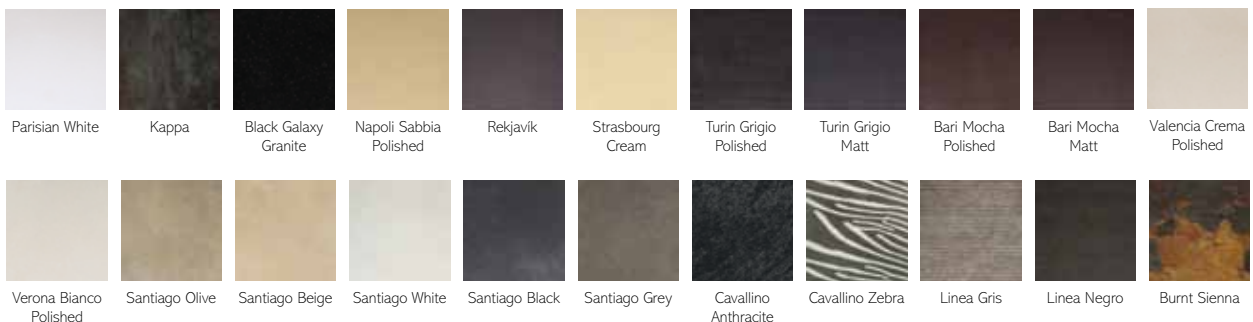
Many of Gazco's contemporary fires are designed to fit into an existing chimney breast or specially built studwork structure. Accordingly, the wall itself can be used to enhance the impressive appliance you have already chosen. This unique collection of 22 ceramic and natural stone tiles has been carefully selected to help you create your ultimate look. Please ask your Gazco retailer for details or download the complete brochure from [www.gazco.com](http://www.gazco.com).



Gazco Designio E-Studio™ in Graphite with Napoli Sabbia Polished fire surround tiles



Riva2 1050 in Sorrento Natural Limestone frame with Bari Mocha fire surround tiles



# Important Information

## Technical Specifications

All specifications given in this brochure are approximate. Actual specifications for each individual product will vary according to model. Your Gazco retailer will be pleased to provide any further information you require. Alternatively you may view or download specification sheets from [www.gazco.com](http://www.gazco.com)

## Installation

Gazco gas fires must be fitted by a qualified gas installer (GasSafe registered in the United Kingdom or Bord Gáis registered in the Republic of Ireland) who should also verify the proposed site conditions are fully suitable for the product selected. Complete installation instructions for many models can be obtained prior to purchase by viewing or downloading them from [www.gazco.com](http://www.gazco.com)

## Colours/Flame pictures

Owing to variations in studio lighting and printing inks, the finishes/colours of fires illustrated in this brochure may differ slightly from actual models. Before purchasing, please ask your retailer to show you finish/colour samples. Whilst all the flame pictures shown in this brochure are of actual fires, flame pictures may vary depending on the installation, flue conditions and geographical/surrounding features that may effect the efficiency of the flue.

## Care and maintenance

Traditional materials, such as polished steel and brass, tarnish on contact with air, especially when also exposed to heat. To help minimise this effect, we recommend fires receive regular treatment with suitable proprietary cleaners. Additionally, please remember that gas fires will require servicing annually by a qualified gas installer Gas Safe registered in the United Kingdom or Bord Gáis registered in the Republic of Ireland).

## Warranty and product improvement



Your Gazco retailer will provide you with a Two Year Warranty for your new gas fire. The second year is dependant on the appliance being serviced 12 months after installation and excludes certain consumable parts. Full details of this warranty are available at [www.gazco.com](http://www.gazco.com).

Gazco pursue a policy of continuous product improvement, therefore, whilst our products are correct at the time of the photography, we reserve the right to make alterations and amendments. Exact product details should be discussed with your retailer at the time of purchase.

## Air ventilation for gas fires

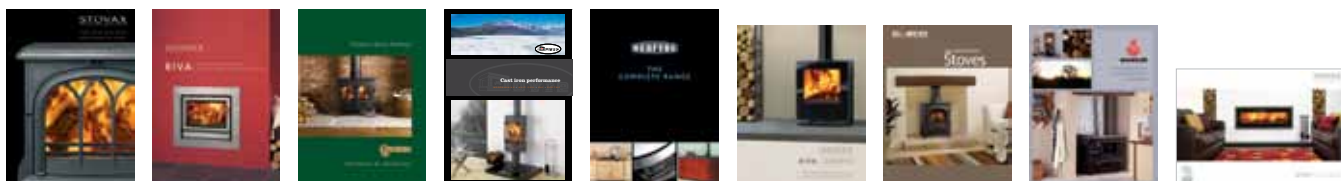
To comply with gas appliance installation regulations, all Studio 2 and 3 Open Fronted fires, all Glass Fronted Conventionally flued Studio 2 fires, all Standard VFC Convector and Tapered fires, all fires for Stovax Classic Fireplaces and most Fire Baskets require additional ventilation into your room. Please consult either your Gazco retailer or the Gazco Technical Information on our website [www.gazco.com](http://www.gazco.com) to confirm the ventilation required. Gazco offer suitable wall and floor vents which are available from your local retailer. All other fires featured in this brochure do not require additional ventilation.



**Wall Vent -**  
One size, choice of brass or stainless steel



**Floor Vent -**  
Two sizes, brass only



Other product brochures from the Gazco family which may be of interest to you can be downloaded from our websites: [www.gazco.com](http://www.gazco.com); [www.dovre.co.uk](http://www.dovre.co.uk); [www.yeoman-stoves.com](http://www.yeoman-stoves.com); [www.redfyrecookers.co.uk](http://www.redfyrecookers.co.uk); [www.wamslercookers.co.uk](http://www.wamslercookers.co.uk).  
Gazco is a member of the Stovax group: [www.stovax.com](http://www.stovax.com)

Gazco gratefully acknowledges the assistance of the following companies with photographic settings:

**Furnishings and Ornaments:-** [www.furniturevillage.co.uk](http://www.furniturevillage.co.uk); [www.lauraashley.com](http://www.lauraashley.com); [www.faginsantiques.com](http://www.faginsantiques.com); [www.theorangetree.co.uk](http://www.theorangetree.co.uk); [www.habitat.co.uk](http://www.habitat.co.uk); [www.houseoffraser.co.uk](http://www.houseoffraser.co.uk); [www.ashorejewellery.co.uk](http://www.ashorejewellery.co.uk); [www.eclectique.co.uk](http://www.eclectique.co.uk); [www.debenhams.com](http://www.debenhams.com); [www.next.co.uk](http://www.next.co.uk); Pilgrim 01404 41219

**Wood Mantels:-** [www.stovax.com](http://www.stovax.com) **Stone Mantels:-** [www.farmington.co.uk](http://www.farmington.co.uk); [www.bns.co.uk](http://www.bns.co.uk); [www.grandisson.com](http://www.grandisson.com); [www.rudloe-stone.com](http://www.rudloe-stone.com)

**Wood flooring:-** [www.beechbros.co.uk](http://www.beechbros.co.uk) **Tiles & Stone floors:-** [www.originalstyle.com](http://www.originalstyle.com) **Televisions:-** [www.heavitreeradio.co.uk](http://www.heavitreeradio.co.uk)

**Plants:-** [www.stbridgetnursery.co.uk](http://www.stbridgetnursery.co.uk) **Paintings:-** [www.easyart.com](http://www.easyart.com) **Lighting:-** [www.amoslighting.co.uk](http://www.amoslighting.co.uk)



Riva2 1050 in Graphite Limestone Sorrento frame



**Gazco Limited**

Osprey Road, Sowton Industrial Estate, Exeter, Devon, England EX2 7JG

Tel: 01392 261999 Fax: 01392 444148

E-mail: [info@gazco.com](mailto:info@gazco.com) Internet: [www.gazco.com](http://www.gazco.com)

*A member of the Stovax Group*

Your Gazco stockist:

£5.00

