

the Stelrad planar

Cl/Sfb			
	56		



Radiator Design With Style and Imagination. The Perfect Solution for Prestigious Applications.

DISTINCTIVE FEATURES WITH FLEXIBILITY

With its flat, smooth surface, complemented by elegant, integrated top grilles and side panels, the Stelrad Planar offers a stylish alternative for a multitude of applications.

The exceptionally slim profile adds to overall, attractive appearance, providing an air of prestige.

What's more, the silk smooth surface can be decorated to co-ordinate with the surrounding décor, or left just as it is, making the Stelrad Planar the perfect choice for either domestic or commercial environments.

STYLE WITH IMAGINATIVE CONSTRUCTION

Supplied fully assembled, the Stelrad Planar radiator is easy to install.

Every model comes with a directional air vent to direct waterflow during venting, with convectors precision welded directly onto the waterways, to give greater efficiency and economy. In addition, all tappings are perfectly aligned, with best quality nickel-plated plugs and vents and the high definition pressings ensure smooth edges and corners.

Available with a choice of four heights and 62 models in the most popular sizes, the Planar range offers a wide range of outputs with outstanding heating performance.

SUPERB QUALITY WITH PEDIGREE

Manufactured by the UK market leader, under ISO 9000, the Stelrad Planar comes with an unequalled pedigree, with strictly controlled independent laboratory testing to ensure that all Stelrad Planar radiators are guaranteed to perform to a maximum working pressure of 116 psi (8 bar) and conform to BS EN 442 - the European Standard for radiators.

The perfect solution for all prestigious heating applications, the Stelrad Planar comes complete with a 5 year Manufacturers Warranty as a measure of the all round dependable quality and performance.





ELEGANT TOP GRILLES AND SIDE PANELS HIDE IMAGINATIVE DESIGN FEATURES.



ROBUST, PACKAGING PROTECTS THE RADIATOR DURING STORAGE AND TRANSIT.



FOR EASY CALCULATIONS AND GREATER ACCURACY OF SIZING THE STELRAD STARS HEAT LOSS AND DESIGN PROGRAMS ARE AVAILABLE. CALL 0800 318 680 FOR FURTHER INFORMATION.



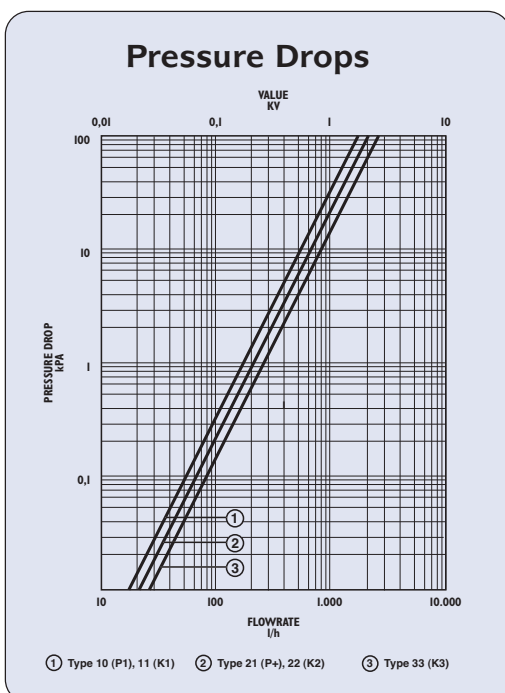
Stelrad Planar Technical Data & Dimensions

Outputs at Operating Temperature 75/65/20°C

HEIGHT	LENGTH (Approx)		SECTION	KI		K2	
	mm	in		Watts	Btu/hr	Watts	Btu/hr
300	500	19.7	15	235	800	465	1585
	1000	39.4	30	469	1600	929	3170
	1400	55.1	42	657	2240	1301	4438
	2000	78.7	60	938	3200	1858	6339
400	400	15.7	12	250	854	471	1606
	600	23.6	18	376	1282	706	2410
	800	31.5	24	501	1709	942	3213
	1000	39.4	30	626	2136	1177	4016
	1200	47.2	36	751	2563	1412	4819
	1400	55.1	42	876	2990	1648	5622
	1600	63.0	48	1002	3417	1883	6425
	1800	70.9	54	1127	3845	2119	7229
500	2000	78.7	60	1252	4272	2354	8032
	400	15.7	12	310	1056	564	1926
	600	23.6	18	464	1585	847	2889
	800	31.5	24	619	2113	1129	3851
	1000	39.4	30	774	2641	1411	4814
	1200	47.2	36	929	3169	1693	5777
	1400	55.1	42	1084	3697	1975	6740
	1600	63.0	48	1238	4225	2258	7703
600	1800	70.9	54	1393	4754	2540	8666
	2000	78.7	60	1548	5282	2822	9629
	400	15.7	12	364	1243	654	2230
	600	23.6	18	547	1865	980	3345
	800	31.5	24	729	2487	1307	4460
	1000	39.4	30	911	3108	1634	5575
	1200	47.2	36	1093	3730	1961	6690
	1400	55.1	42	1275	4352	2288	7805
1600	63.0	48	1458	4973	2614	8920	
1800	70.9	54	1640	5595	2941	10035	
2000	78.7	60	1822	6217	3268	11150	

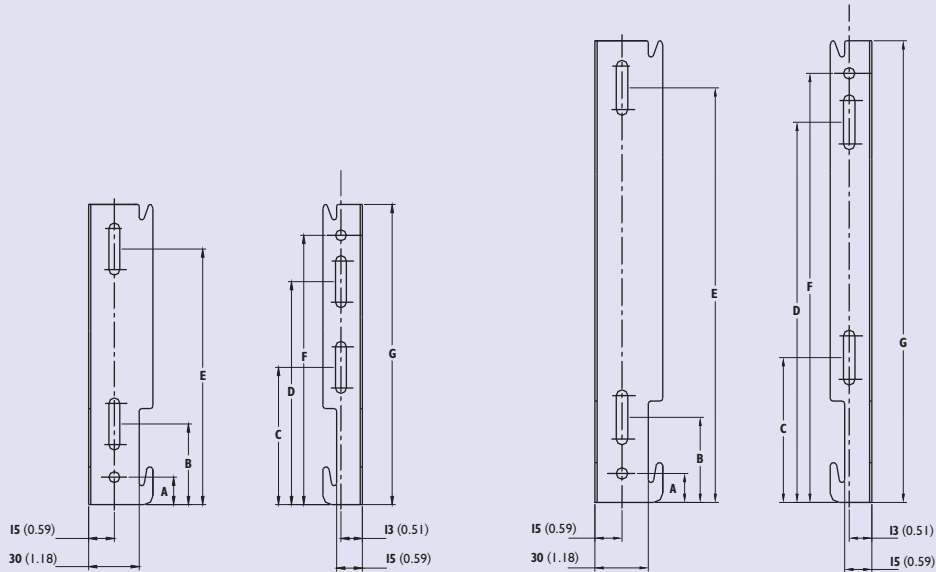
EN 442 Certification Data – HLK tested in accordance with BS EN 442

Type	KI				K2			
Height	300	400	500	600	300	400	500	600
W/m at 75/65/20	469	626	774	911	929	1177	1411	1634
n-coefficients	1.3013	1.2914	1.2815	1.2716	1.2958	1.3041	1.3123	1.3206
Heated Surface Area (m2)	2.09	2.95	3.80	4.66	3.51	4.92	6.33	7.74
Weight (kg/m)	11.88	16.13	20.39	24.65	19.60	26.40	33.20	40.00
Water Contents (l/m)	1.89	2.34	2.80	3.25	3.70	4.67	5.63	6.60



Mounting Brackets

All dimensions in mm. Inches in brackets



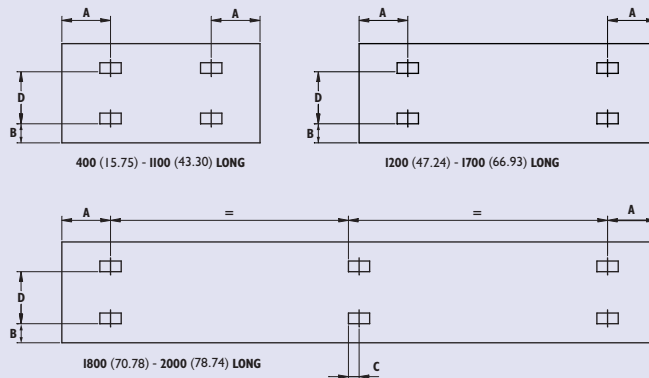
**K1 and K2
(300 & 400mm)**

**K1 and K2
(500 & 600mm)**

DIMENSIONS mm (in)				
	300 (11.81)	400 (15.75)	500 (19.69)	600 (23.62)
A	16 (0.62)	16 (0.62)	16 (0.62)	16 (0.62)
B	44 (1.73)	44 (1.73)	44 (1.73)	44 (1.73)
C	-	216 (8.50)	316 (12.44)	416 (16.37)
D	144 (5.66)	244 (9.60)	344 (13.54)	444 (17.48)
E	77 (3.03)	77 (3.03)	77 (3.03)	77 (3.03)
F	-	107 (4.21)	107 (4.21)	107 (4.21)
G	125 (4.92)	225 (8.85)	325 (12.79)	425 (16.73)
H	155 (6.10)	255 (10.03)	355 (13.97)	455 (17.91)
I	173 (6.81)	273 (10.74)	373 (14.68)	473 (18.62)

K1 and K2 Lug Positions

All dimensions in mm. Inches in brackets



K2 mm (in)		
A	400 - 1100mm	133 (5.24)
A	1200 - 2000mm	267 (10.5)
B		60 (2.36)

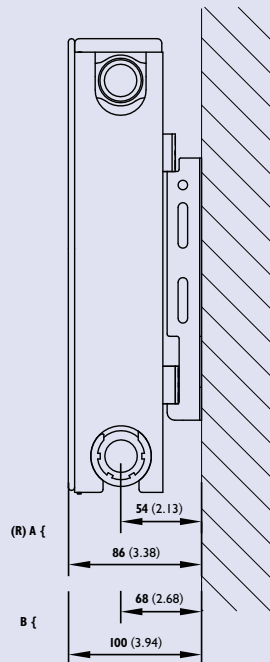
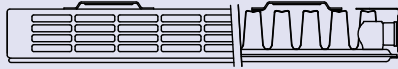
K1 mm (in)		
A	400mm	117 (4.61)
A	500 - 1100mm	150 (5.91)
A	1200 - 2000mm	283 (11.14)
B		60 (2.36)
C	1800 - 3000mm	17 (0.67)

Panel Height	D
300 (11.81)	155 (6.10)
400 (15.75)	255 (10.04)
500 (19.69)	355 (13.98)
600 (23.62)	455 (17.93)

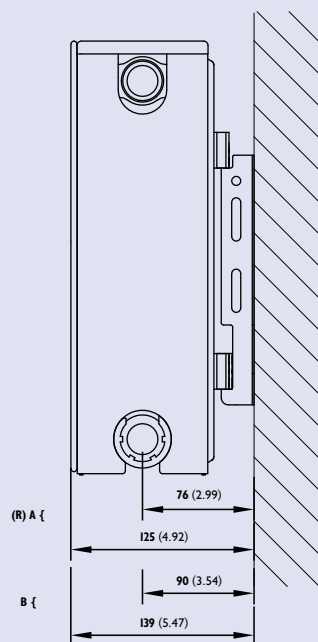
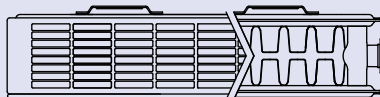
Wall Mounting Information

All dimensions in mm. Inches in brackets

K1



K2



Bracket Position

A = Closest to Wall B = Furthest from Wall (R) = Recommended Mounting Position



ALL FIXING REQUIREMENTS ARE COMPLETE WITHIN THE PACKAGING.



FLOOR STANDING BRACKETS PROVIDE A PRACTICAL SOLUTION, WHERE SITUATIONS, SUCH AS FLOOR TO CEILING WINDOWS OR TILED WALLS, CREATE INSTALLATION DIFFICULTIES.



OPTIONAL EXTENSION PIECES FOR EASY REPLACEMENT.



OPTIONAL 3/4 INCH VALVE ADAPTOR FOR CONNECTION WITHOUT PERFORMANCE REDUCTION.

TEMPERATURE TABLE

To apply the factors shown in the table below to our quoted outputs, multiply the quoted output by the chosen operating factor to give new output.

TEMPERATURES			
Factors for differences between mean water temperature and room temperature in °C and °F other than 50°C (90°F)			
°C		°F	
5°C	0.050	10°F	0.057
10°C	0.123	20°F	0.142
15°C	0.209	30°F	0.240
20°C	0.304	40°F	0.348
25°C	0.406	50°F	0.466
30°C	0.515	60°F	0.590
35°C	0.629	70°F	0.721
40°C	0.748	80°F	0.858
45°C	0.872	90°F	1.000
50°C	1.000	100°F	1.147
55°C	1.132	110°F	1.298
60°C	1.267	120°F	1.454
65°C	1.406	130°F	1.613
70°C	1.549	140°F	1.776
75°C	1.694		

To apply the factor to required output, divide required output by factor to give correct radiator from the Stelrad Planar range.

TESTING AND OPERATING PRESSURES

All models are high pressure tested to withstand 152.3 psi (10.5 bar), to perform at a maximum working pressure of 116 psi (8 bar) at a maximum temperature of 95 °C.

CONNECTIONS

Each Stelrad Planar radiator has 4 x 1/2 inch connections as standard. There is also a 3/4 inch valve adaptor available, which provides a 3/4 inch connector option to the valve without reducing performance.

APPLICATIONS

Planar radiators are suitable for two pipe installations. For single pipe applications, it is advisable to use diversion tees in the pipework, as this will assist in obtaining design performance from the radiators.

Although the Stelrad Planar is suitable for Microbore pipework, the back tappings make it unsuitable for twin entry valves.

For further information and advice call Technical Support on: 01482 498 663

INSTALLATION

Everything required for installation can be found within the robust packaging.

Brackets are of a strong design, with open top and deep slots, which facilitate easy and secure installation. Plastic inserts seat the radiator precisely on the bracket minimizing expansion and contraction noise.

The neat nickel-plated plug and vent provide a watertight joint, whilst complementing the superior finish.

To facilitate easy one off replacement nickel-plated brass extension pieces are also available, complete with sealing washer, in 20mm, 30mm and 40mm options.

Recommended height from the floor to the base of the radiator is 150 mm minimum. This allows adequate airflow when the radiator is placed on the bracket.

CAUTION

When designing for domestic systems we recommend that the Stelrad Planar be used only in heating systems complying with British Standard Code of Practice for Central Heating for Domestic Premises BS 5449 Part 1.

Single feed, indirect cylinders are not recommended as should interchange of water occur, fresh aerated water would enter the heating system, resulting in corrosion.

WATER TREATMENT

On completion of the installation the system should be properly flushed and filled in accordance with the British Standard Code of Practice for the Treatment of Water in Domestic Hot Water Central Heating Systems BS 7593.

This will remove flux residues and installation debris, which might promote corrosion and damage within the system.

If it is decided to apply a corrosion inhibitor to maximize the working life of the system, it should be applied in accordance with the manufacturers instructions and should be suitable for the particular metals within the system.

Further details of readily available cleansers and inhibitors can be obtained from:

Sentinel Division, BetzDearborn Limited, Foundry Lane, Widnes, WA8 8UD. Telephone: 0151 420 9595, and Alpha Fry Technologies, Tandem House, Marlowe Way, Beddington Farm Road, Croydon, CR0 4XS. Telephone: 01799 550811.

TWO COAT PAINT PROCESS

Each Stelrad Planar radiator is subjected to a multi stage cleaning process before the paint is applied. This involves several rinsing stages, including an iron phosphate and demineralization rinse.

The first coat of paint is applied by dipping and the radiator is then stoved and cooled. The second powder coat, in warm white (RAL 9016) is applied and the radiator goes through a final curing stage. It is then allowed to cool prior to packaging.



For the very latest copy of any of our literature for specification purposes please visit www.stelrad.com where you will be able to download the relevant information in pdf format



PO Box 103, National Avenue, Hull HU5 4JN Tel: 0870 849 8056 Fax: 0870 849 8058 www.stelrad.com



Certificate No. FM270 BS EN ISO 9001
FM31562/3