

QUINN radiators

Crystal & Diamond

SPECIFICATIONS

The Quinn Towel Radiator range provides a number of both modern and traditional designs that will enhance any bathroom or kitchen project and give it that necessary extra charm. The products are beautifully engineered to the highest of standards and several attractive models are available in a number of finishes. These radiators distinguish themselves with their modern and contemporary design.

OUTPUTS

Design radiators have been manufactured and tested in accordance with EN442.

QUALITY

Design radiators are manufactured under a BS EN ISO 9002 quality system accepted by BSI.

WARRANTY

All radiators are supplied under warranty for ten years in respect of defective materials and manufacture.

CONNECTIONS

All radiators except Adagio and Slieve Horizontal are supplied with Bottom-Opposite-End (BOE) connections. All-standard connections are 1/2" BSP.

INSTALLATION

For indirect systems or closed circuits only at a working pressure not exceeding 5.38 bar (78 p.s.i.).

WATER TREATMENT

It is strongly recommended on completion of the installation, the system should be properly flushed and filled in accordance with the British Standard Code of Practice for the Treatment of Water in Domestic Hot Water Central Heating Systems BS 7593. Use of a corrosion inhibitor is strongly recommended by the manufacturer. Failure to observe this recommendation will invalidate the manufacturer's warranty.

CONDITIONS OF SALE

Our standard conditions of sale apply to all transactions - a copy is available on request.

CONVERSION INFORMATION

The outputs quoted in this publication are based on a Delta T of 50°C.

CRYSTAL

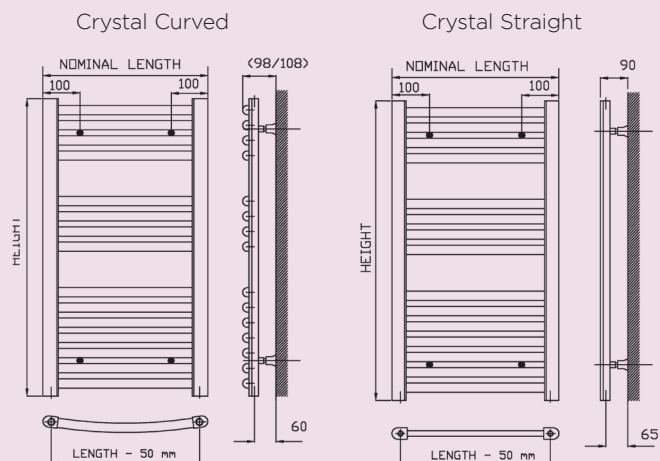
The Crystal Towel Radiator is a complete range of ladder towel radiators designed to meet with any decor in your home. Available in white or chrome both straight and curved in a number of different sizes, there will be an application to meet most needs.

DIAMOND

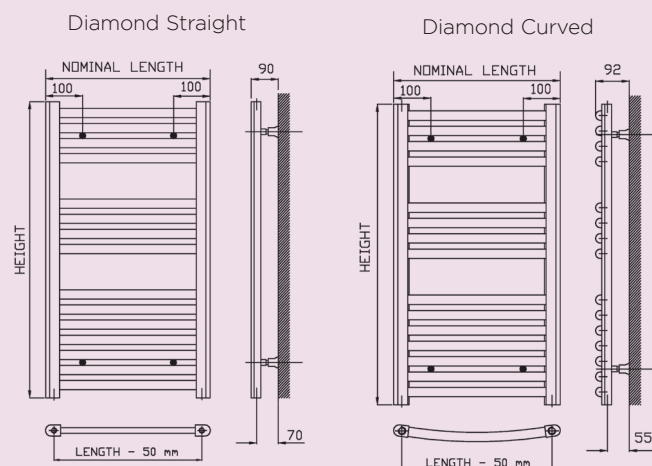
A simple design with outstanding appearance the Diamond is either straight or curved in style. Available in chrome the Diamond Towel Radiator is the ideal choice to complement modern & traditional room designs.



CRYSTAL DIMENSIONS



DIAMOND DIMENSIONS



Crystal

Quinn Code	Nominal		Colour	Style	Connection on Centres	Wall to Connection on Centre	Wall to front of radiator	Output		List Price £
	Height	Length						Watts	BTU	
QRK1	730	450	White	Straight	400	65	90	313	1068	71.85
QRK2	730	600	White	Straight	550	65	90	397	1355	73.47
QRK5	1160	450	White	Straight	400	65	90	490	1673	94.68
QRK6	1160	600	White	Straight	550	65	90	643	2195	97.50
QRK10	1730	600	White	Straight	550	65	90	930	3173	130.28
QRKC1	730	450	White	Curved	400	60	98	327	1117	75.10
QRKC2	730	600	White	Curved	550	60	108	414	1413	76.76
QRKC5	1160	450	White	Curved	400	60	98	532	1817	98.92
QRKC6	1160	600	White	Curved	550	60	108	675	2304	101.92
QRKC10	1730	600	White	Curved	550	60	108	959	3273	136.15
QRKZ1	730	450	Chrome	Straight	400	65	90	208	711	117.74
QRKZ2	730	600	Chrome	Straight	550	65	90	264	903	122.33
QRKZ5	1160	450	Chrome	Straight	400	65	90	327	1115	173.84
QRKZ6	1160	600	Chrome	Straight	550	65	90	429	1464	178.72
QRKZ10	1730	600	Chrome	Straight	550	65	90	620	2116	279.89
QRKCZ1	730	450	Chrome	Curved	400	60	98	218	745	123.49
QRKCZ2	730	600	Chrome	Curved	550	60	108	276	942	128.36
QRKCZ5	1160	450	Chrome	Curved	400	60	98	355	1211	181.51
QRKCZ6	1160	600	Chrome	Curved	550	60	108	450	1536	186.92
QRKCZ10	1730	600	Chrome	Curved	550	60	108	640	2183	287.39

Diamond Straight

Quinn Code	Nominal		Colour	Style	Connection on Centres	Wall to Connection on Centre	Wall to front of radiator	Output		List Price £
	Height	Length						Watts DT 50°C	BTU DT 50°C	
QRS1	800	450	Chrome	Straight	400	70	90	265	906	112.30
QRS2	800	600	Chrome	Straight	550	70	90	346	1182	117.13
QRS5	1170	450	Chrome	Straight	400	70	90	378	1291	168.54
QRS6	1170	600	Chrome	Straight	550	70	90	514	1756	169.93
QRS10	1700	600	Chrome	Straight	550	70	90	809	2763	242.01

Diamond Curved

Quinn Code	Nominal		Colour	Style	Connection on Centres	Wall to Connection on Centre	Wall to front of radiator	Output		List Price £
	Height	Length						Watts DT 50°C	BTU DT 50°C	
QRD1	800	450	Chrome	Curved	400	55	92	280	955	118.68
QRD2	800	600	Chrome	Curved	550	55	92	367	1254	123.49
QRD5	1170	450	Chrome	Curved	400	55	92	401	1368	176.00
QRD6	1170	600	Chrome	Curved	550	55	92	547	1868	175.01
QRD10	1700	600	Chrome	Curved	550	55	92	860	2935	249.46

Electric Power Options for Diamond

Selected models can be fitted with an electrical element that allows you to use the radiator as an electric towel warmer in summer when the central heating is off. With their low energy requirement the towel warmers are efficient, economical and provide flexibility, convenience and comfort at little additional cost.



Radiator Model Code	Radiator Height	Element Order Code	Output Watts	Price £
QRS/QRD	All heights	EE004	400	58.67

*Each kit is under full warranty for 1 year in respect of defective materials and manufacture.