

PERFORMA

*T555 Dual Control
Thermostatic Bath and Shower Mixer*

*The first of its kind
– a dual-control
thermostatic bath
and shower mixer
with cost-saving
water supply
isolation built in.*



WRAS
APPROVED
PRODUCT

PLUS

*Many other features
and benefits to meet
the needs of responsible
social landlords and
their tenants.*

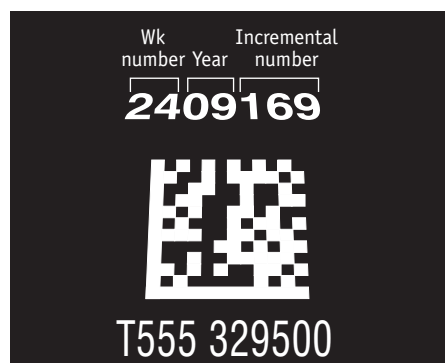


PERFORMA

T555 Dual Control Thermostatic Bath and Shower Mixer Your safest, most cost-effective mixer choice

Through various changes in the test criteria applied by Buildcert the new T555 product is one of the first of its kind to offer successful cold water isolation at 46 degrees on both high and low pressure installation.

The new-generation Performa T555 thermostatic bath and shower mixer from Pegler Yorkshire. The ideal solution wherever safety, performance, savings and cost-effectiveness are paramount.



Serial number dot matrix provides unique traceability

The innovative Performa T555 is here – and it heralds the arrival of a new generation of dual-control thermostatic bath and shower mixers from Pegler Yorkshire.

The key new benefit – literally – is the ability to turn off the water supply in seconds at the body of the tap, simply by using the dedicated isolation key and thereby totally eliminating the inconvenience, time and cost of removing a bath panel to access a valve in the conventional way. With patents pending, this innovation in servicing will save both time and money.

The new T555 mixer also builds on Pegler Yorkshire's unrivalled track record for safety, integrity, quality, reliability and whole-life value for money.

Other market-leading features include low-pressure operation and easy-to-use handles and shower diverter. The dual handle approach ensures that precise flow and temperature are achieved.



Water isolation, filter check and valve removal are quick and easy

A solution to your Part G requirements!

As part of the new approved Part G of the Building Regulations (from 1st October 2009) designer/builder/installer and, in some cases, home owner carrying out building work to which any requirement of Building Regulations applies, need to be aware of a number of changes. Changes include water efficiency, cold water supply and hot water supply systems – and it is with this in mind that the new T555 can help instantly through installation. Providing an immediate answer to section G3 the mandatory requirement of having a product that can deliver safe temperature and discharge of bathing water via thermostatic control.

Benefits and features:

■ WRAS approved ■ TMV2 approved



- Easy to operate
- Factory-set maximum temperature 46°C
- Push-down shower diverter with auto 'back to bath' from as low as 0.2 bar
- Fast shut-off for maximum safety
- Simple to install and service
- Built-in service valves to ensure 12 month maintenance requirement is quick and simple*
- Addresses important health and safety issues
- 5-year spares availability
- 5-year warranty
- Laser-etched dot matrix on body provides unique record of product traceability
- Robust and reliable
- No requirement for cumbersome flow regulators to aid performance.

*12 month servicing intervals as recommended by Buildcert

The ideal solution for every installation and application

Whatever the nature of the installation, and whatever the job calls for, the new Pegler Yorkshire T555 goes with the flow – from gravity-fed to fully pumped systems, from balanced to unbalanced hot and cold supplies.

And because of its versatility, Pegler Yorkshire's innovative new thermostatic bath & shower mixer is perfectly suited to a whole variety of markets and applications – social housing, public utilities, commercial and domestic properties.

The cost and performance benefits of opting to install an advanced new Pegler Yorkshire T555 thermostatic bath and shower mixer in preference to an electric shower are significant, making sound economic sense in so many ways.

For example, savings include the cost of purchasing an electric shower or separate bath taps, the cost of installing a radial ringmain, and of course electrician and plumber labour costs.

The risks and dangers of scalding

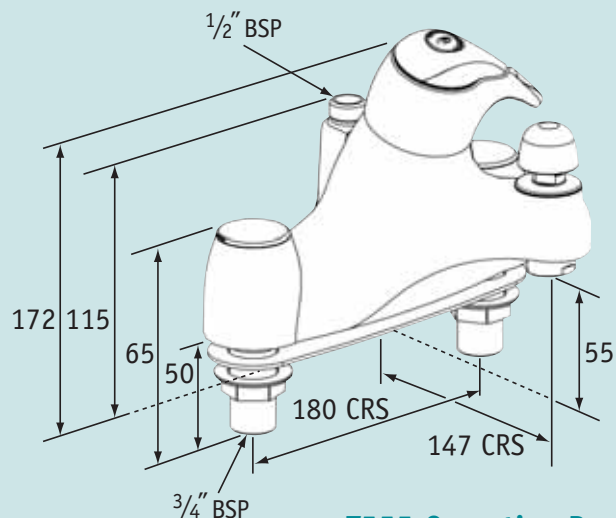
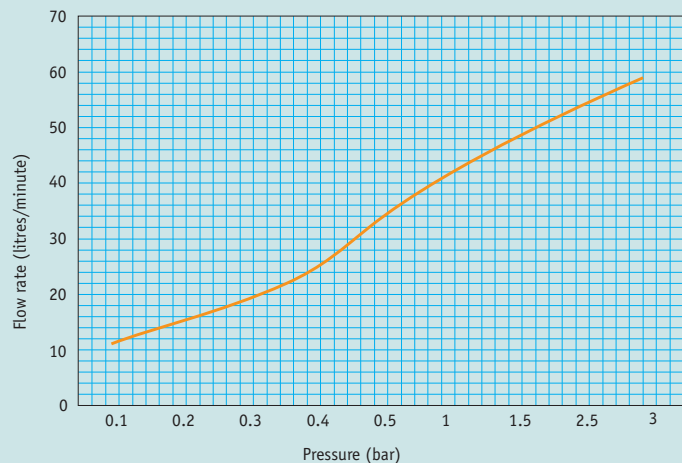
Severe scalds in seconds

The degree of scalding depends on two factors: the temperature and volume of hot water, and the length of time the body is exposed to it – though a severe scald can occur in a matter of seconds.

Research (*Waller et al, 1993*) indicates that: As the temperature of the water increases above 50°C, the duration of exposure needed to suffer third-degree burns decreases rapidly. Healthy adult skin requires 30 seconds of exposure to water at 54°C – 55°C before third-degree burning occurs, but only 5 seconds at 60°C and less than one second at 70°C. However, the skin of children and the elderly is even more sensitive to extreme temperatures.

SOURCE: BUILDING RESEARCH ESTABLISHMENT

T555 Dual Control Thermostatic Bath and Shower Mixer flow chart @ 46°C



Pressure

- Minimum working pressure 0.2bar (dynamic)
- Minimum working pressure for diverter 0.2bar (dynamic)
- Maximum working pressure 5.0bar (static)
- Recommended maximum working pressure 3.0bar (static)

FINISH

CHROME

ORDER CODE

329500

Options

- Shower flow regulator at 6.0l/m available (Product code 343202)
- Full range of shower kits available

T555 Operating Requirements

inlet connections:	3/4" BSP
min temp hot differential above outlet temperature:	10°C
max unbalanced dynamic water supply:	5:1
TMV2 parameters for hot water supply:	56°C - 65°C

Performance Characteristics

maintains water temperature within $\pm 2^{\circ}\text{C}$
designed in accordance with BS5412, BS1111 and BS1287
chrome plated to comply with ISO 9227



Pegler Yorkshire

Our brands:



Other energy-saving and water-saving solutions that benefit responsible social landlords

Pegler Yorkshire also produces high-quality, market-leading taps and mixers for bathrooms and kitchens – the perfect complement is the new T555 thermostatic bath and shower mixer. All utilise either quarter-turn ceramic disc technology, or washed valves and operate at low pressure and feature Pegler Yorkshire's acclaimed easy-operation handles with bold and clear markings.

Performa Eco range of water-saving basin taps

Where saving water is a priority, the Performa Eco range of basin taps incorporate flow restrictors to significantly reduce water wastage to a maximum 4 litres per minute (+ or -15%). Suitable for a wide variety of applications where saving water is a priority, the range offers traditional, cross-top and lever handle options.

Additional thermostatic solutions

Long-established and highly acclaimed, the Terrier thermostatic and manual radiator valve range has been developed to meet the needs of the social housing sector. Similarly, the Prestex P404 range has been designed specifically for the domestic markets, but is also a very relevant and cost-effective solution for offices, hotels and leisure centre projects.



UK sales

Free Phone: 0800 156 0010
Free Fax: 0808 156 1011
Email: uk.sales@pegleryorkshire.co.uk

Export

Tel: +44 (0) 1302 855 656
Fax: +44 (0) 1302 730 513
Email: export@pegleryorkshire.co.uk

Technical Help

Free Phone: 0800 156 0050
Free Fax: 0808 156 1012
Email: tech.help@pegleryorkshire.co.uk

Brochure Hotline

Free Phone: 0800 156 0020
Free Fax: 0808 156 1011
Email: info@pegleryorkshire.co.uk

www.pegleryorkshire.co.uk

Pegler Yorkshire Group Limited

St. Catherine's Avenue, Doncaster,
South Yorkshire, DN4 8DF, England.
Tel: 0844 243 4400 Fax: 0844 243 9870

Registered in England Company No. 00401507
Registered Office: Haigh Park Road, Stourton, Leeds,
West Yorkshire, LS10 1RT, England.

All brand names and logo styles are registered trademarks. Maintaining a policy of continual product development, Pegler Yorkshire reserves the right to change specifications, design and materials of products listed in this publication without prior notice.

LIT.REF: 880107.09.09

