



Installation Instructions and User Guide

NEWTEAM SHOWER PUMPS

Duraspeed • Duraspeed 2

Varispeed 50 • Varispeed SI • Singlespeed

**IN THE EVENT OF ANY QUERY PLEASE CONTACT
THE NEWTEAM CUSTOMER HELPLINE**

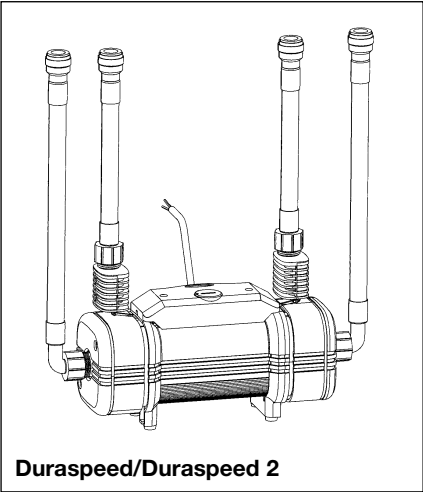
Tel : 01536 264 012

NewTeam

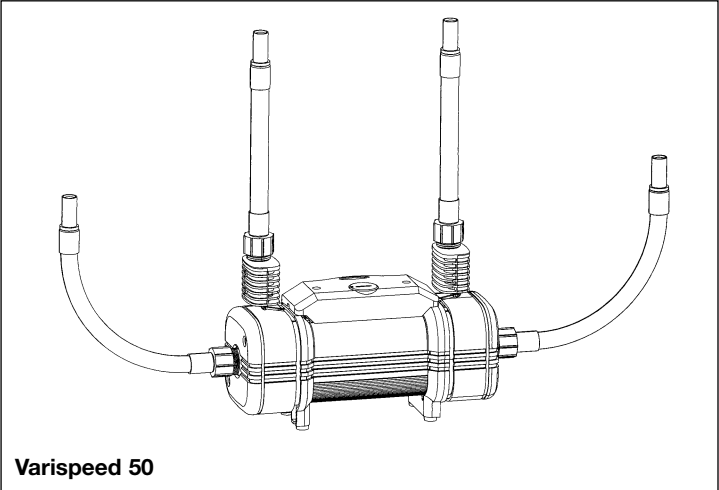
**PLEASE KEEP THIS BOOKLET
FOR FUTURE REFERENCE**

**DEAR INSTALLER WHEN YOU HAVE READ THESE INSTRUCTIONS
PLEASE ENSURE YOU LEAVE THEM WITH THE USER**

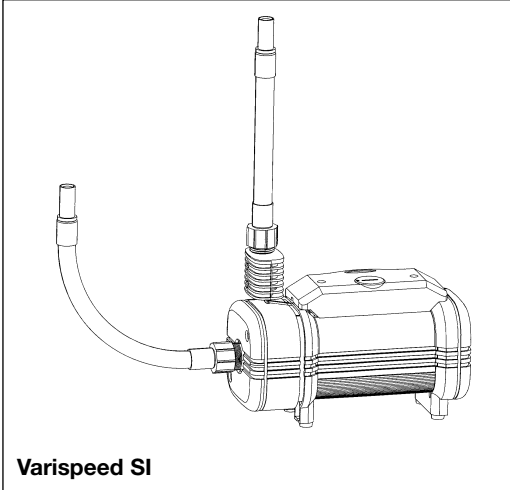
NewTeam Shower Pumps



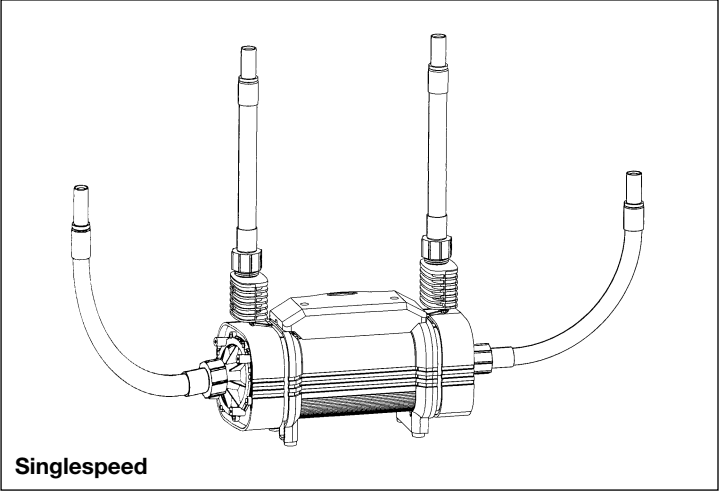
Duraspeed/Duraspeed 2



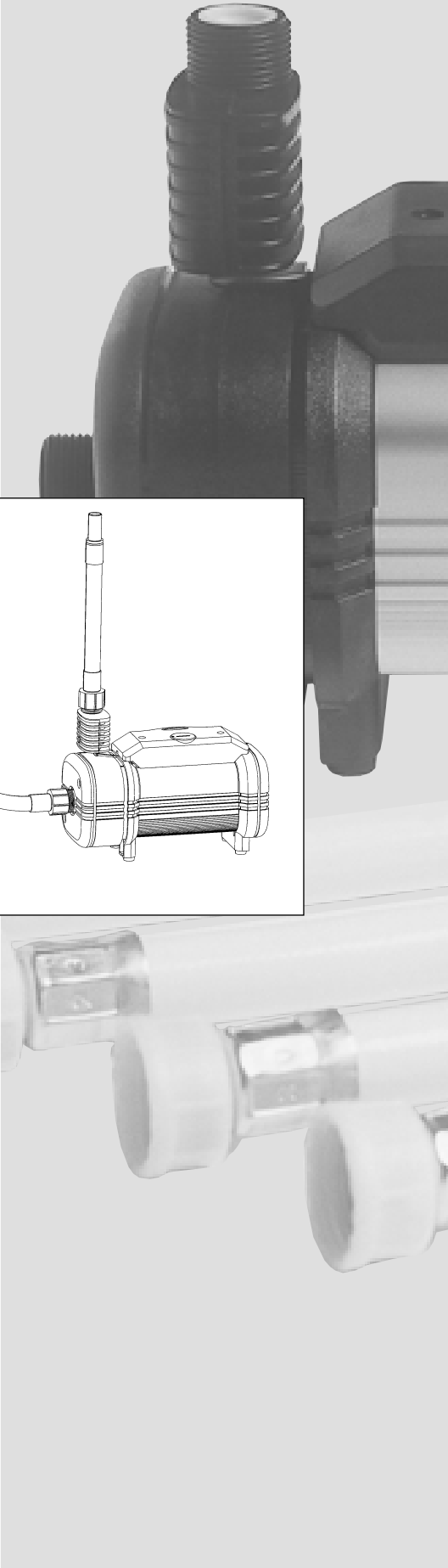
Varispeed 50



Varispeed SI



Singlespeed



Installation and Operating Instructions for NewTeam Shower Pumps

- Duraspeed
- Duraspeed 2
- Varispeed 50
- Varispeed SI
- Singlespeed

Please read this booklet carefully and ensure the installation is undertaken by a competent person.

Note: Following the headings in sequence will guide you through the installation and operation of your NewTeam Shower Pump.



	PAGES
PLANNING YOUR INSTALLATION	3 - 4
Plumbing	
Electrical	
FITTING YOUR PUMP	5 - 7
Procedures	
Duraspeed & Duraspeed 2	
Varispeed SI	
Varispeed 50 & Singlespeed	
NEGATIVE HEAD OPTIONS	8
COMMISSIONING & TROUBLE SHOOTING	9
SPARE PARTS LISTING	10 - 12
GUARANTEE	13

Refer to back cover for Guarantee, Customer Service and Replacement Parts Policy. In the event of any query regarding installation please contact the NewTeam Customer Service Department

Tel: 01536 264 012 • Fax: 01536 409 201

E-mail: service@newteam.co.uk • E-mail: spares@newteam.co.uk

In line with our policy of continual product development the specifications may be varied and product design altered. We reserve the right to depart from the details given in this manual without prior notice.

Twin-ended Shower Booster Pump

DURASPEED, VARISPEED 50, DURASPEED 2 & SINGLESPEED (Fig. 1.)

Twin booster pumps are best installed in the airing cupboard with separate hot and cold water supplies running to the pump. For correct operation of the shower pumps both hot and cold water supplies to the unit must be gravity fed, at nominally equal pressures; cold water from a cold water storage tank and hot water from a hot water storage cylinder fed from a cold water storage tank.

Single-ended Shower Booster Pump

VARISPEED SI (Fig. 2.)

Single Booster pumps are best installed after the mixing valve with blended hot and cold water running to the pump and then onto the handset position. With a recessed installation, the outlet from the mixer valve can be fed to the inlet of the single ended pump, and the pump outlet connected to the shower hose, normally via a shower hose union elbow. See page 4 for gravity hot water boost only.

Plumbing

- We recommend a minimum 115 litres (25 gallon) cold water storage tank, but please ensure compliance with all water by-laws.
- **Under no circumstances must the pump be connected to the mains cold water supply.**
- Do not use jointing compounds
- Before proceeding with the installation of this unit, it is essential to check that the handset and all pipework will be a minimum of 230mm (9") below the water level in the cold water storage tank.
- If your installation does not allow this, you will require a negative head switch. Contact your supplier or NewTeam Customer Services. If you have not sourced your negative head switch from NewTeam, please contact NewTeam Customer Service for a connection block. Please refer to page 9 for details of negative head installation.
- **Please ensure that the shower pump and mixing valve are not positioned in areas subjected to freezing conditions.**

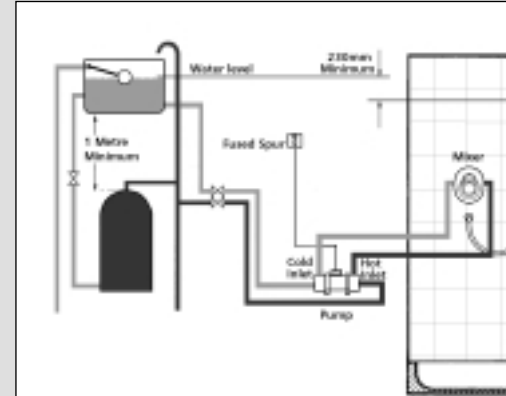


Fig. 1. Typical Twin Pump Shower Installation

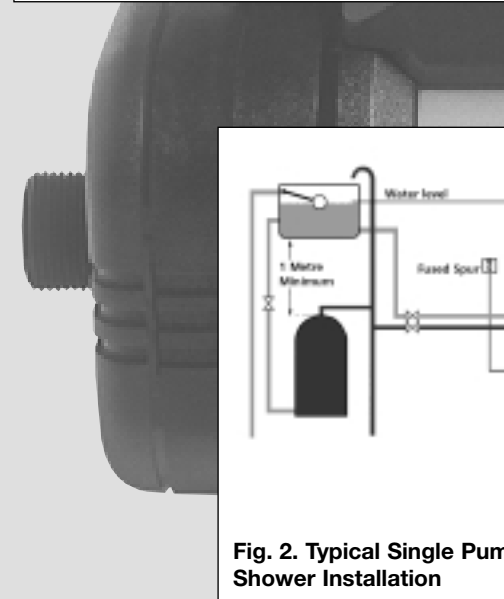


Fig. 2. Typical Single Pump Shower Installation

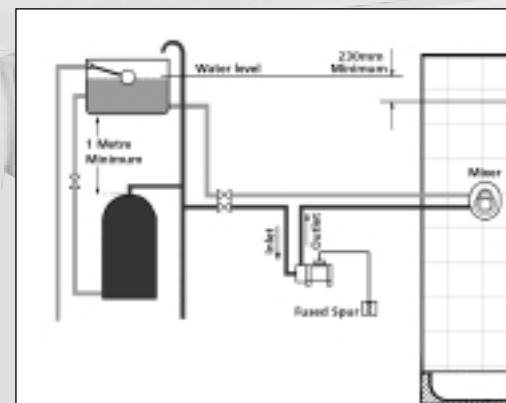


Fig. 3. Boost of gravity hot only

Electrical

IMPORTANT: This appliance must be earthed. This unit should be installed in accordance with the 16th Edition IEE Wiring Regulations (BS 7671). If in doubt, consult a qualified electrician.

The pump must be connected to a 230 volt a.c. supply, fused at 3 amps, via double pole isolator with a contact separation of at least 3mm.

It is recommended that your installation is protected by a residual current device (RCD) with a trip rating of no more than 30mA

Connections:

All pumps are supplied with a fitted flex.

The colour of the wires in the cable used for final connection of this appliance may not correspond with the coloured markings identifying the terminals in your flex outlet; connection at the appliance and the flex outlet should proceed as follows.

The wire that is coloured blue must be connected to the terminal that is marked with the letter N, or coloured black.

The wire that is coloured brown must be connected to the terminal that is marked with the letter L, or coloured red.

The wire that is coloured green/yellow must be connected to the terminal that is marked with the letter E, or the earth symbol \oplus , or coloured green.

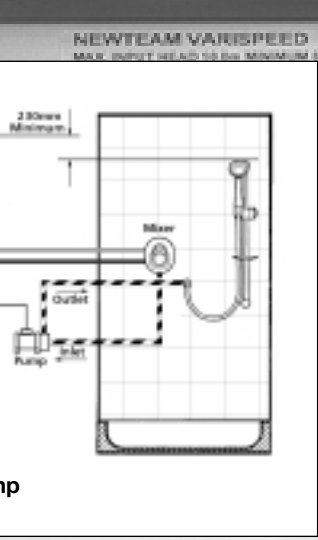
The flex fitted to the pumps can only be replaced by NewTeam, part no. SP-088-0502.

IMPORTANT: WHEN REPLACING FLEX ENSURE THAT THE CONTROL BOX COVER IS REPLACED WITHOUT DAMAGING THE NEW CABLES. THE CABLE GROMMET SHOULD BE USED WHERE THE CABLE ENTERS THE BOX.

VARISPEED SI: BOOST OF GRAVITY HOT ONLY (Fig. 3.)

If you are installing a Varispeed SI, where only a gravity feed is available on the hot supply, the pump can be used to boost the gravity hot supply only. All storage capacities and pipe connections (as detailed in fig.2) should be followed. The outlet feed from the pump should then run to the mixer valve or tap position, ensuring that the minimum head of 230mm to the handset can be achieved.

UNDER NO CIRCUMSTANCES MUST ANY OF THE PUMPS BE CONNECTED TO THE MAINS WATER SUPPLY .



Important:

Please be aware of the following when planning your installation :

- All plumbing should be completed before any electrical connections are undertaken.
- The pump must be positioned in a dry area i.e. in a linen/airing cupboard, as close to the base of the hot cylinder as possible, ideally pushing water not pulling. The pump will work most efficiently when fitted close to the hot water cylinder.
- **The pump must not be mounted in a loft, as this leaves it vulnerable to freezing, and air locks.**
- The pump should be in a well-ventilated position and not covered with towels, clothes, etc., and accessible for future servicing/maintenance.
- The pump can be connected to a combination cylinder system providing it has a cold water storage capacity of 115 litres.
- When connecting pipework avoid using elbows. Sweep or formed bends will ensure optimum performance.
- Do not solder within 300mm of the pump, or expose parts to excessive heat.
- Do not run pump dry.
- The minimum inlet size is 15mm for all pipework to and from the pump.
- Non restrictive full bore isolating valves (accessible for ease of maintenance on hot and cold supplies to the pump) must be fitted e.g gate valve.
- In normal circumstances the temperature of stored water must not exceed 65°C. A stored water temperature of 60°C is considered sufficient to meet all normal requirements and will minimise limescale in hard water areas.

IMPORTANT THE BOOSTER PUMP AND ALL CONNECTING PIPEWORK MUST BE EARTHED.

Installation Procedure:

IMPORTANT:

Do not connect brass or copper fittings directly on to the pump threads. Use only the hoses supplied with the pump.

1. Isolate appropriate water and electrical supplies. **For the benefit of the user and for any future servicing please fit full bore isolating valves 1/2 metre from the pump on the inlet pipework.**
2. Make your connection into the hot water supply pipe from the cylinder, ensuring that it is in the vertical pipe (below the expansion pipe tee). **A minimum of 1 metre below the base of the cold water storage tank and the top of the hot water cylinder must be achieved. (See Fig.1. for typical pump installation)**
3. If this is not possible, a direct connection must be made from the hot water cylinder with an Essex Flange with dip tube. (See Fig.4)
4. **TWIN PUMPS ONLY:** The cold water supply should be taken directly from the cold storage tank, and must be positioned 60mm below the cold feed connection to the hot water cylinder. (See Fig.1. for a typical twin pump installation)

PROCEED WITH SPECIFIC INSTALLATION DETAILS AS APPROPRIATE TO THE PUMP BEING INSTALLED

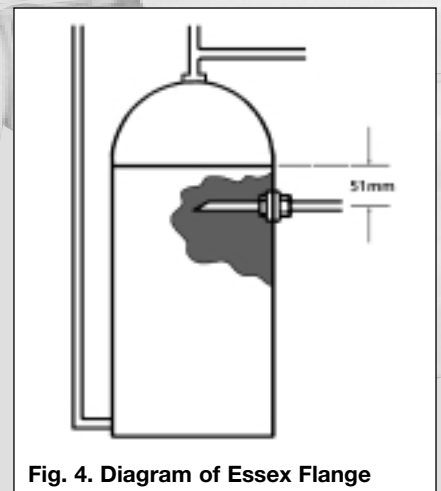
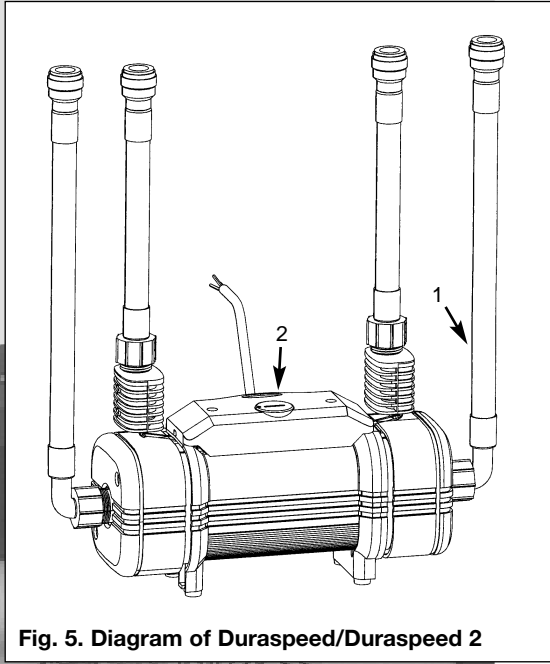


Fig. 4. Diagram of Essex Flange

Duraspeed & Duraspeed 2



Flexible connectors should not be bent. Where possible keep all flexible connectors vertical.

1. Connect the flexible connectors (1) supplied to the inlet and outlet ports of the pump. Ensure that the adaptors fitted to the inlets have filters in position.

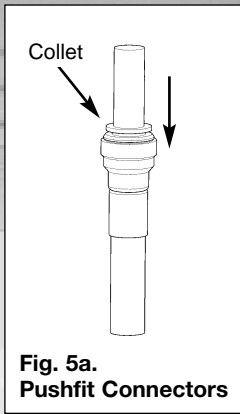
NOTE: These are designed to effect a leakproof seal with the minimum of tightening. Hand tight is sufficient, the elbow flexible connectors should be on the inlets. **Ensure not to kink the flexible hoses.**

- Either end inlet can be used for hot or cold.

IMPORTANT: The integral fittings on the hose are of the push fit type. All burrs and rough edges must be removed from the end of the pipe. In the case of a chrome-plated tube, the first 25mm of plating should be roughened or removed. Should it be necessary to remove the pipe after installation, push down the grey collet. (Fig 5a)

2. Connect fitted flex into fused spur outlet, in accordance with the 'Electrics' chapter.
3. Either by hand or using a coin, rotate boost control (2) fully anti-clockwise, to maximum mark.

WARNING: Do not fit fuse or switch on mains electrical supply at this point



Varispeed SI

Flexible connectors should not be bent more than 90°. Where possible keep all flexible connectors vertical.

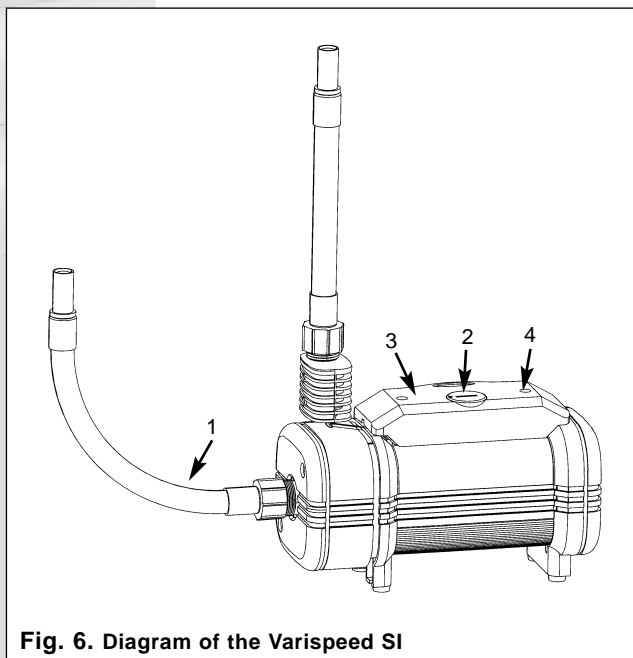
1. Connect the flexible connectors (1) supplied to the inlet and outlet ports of the pump. Ensure that the adaptors fitted to the inlet have a filter in position.

NOTE: This is designed to effect a leakproof seal with the minimum of tightening. Hand tight is sufficient, the long flexible connector should be on the inlet. **Ensure not to kink the flexible hoses.**

IMPORTANT: The hoses supplied with the Varispeed SI should only be connected with compression fittings. Under no circumstances should solder fittings be used.

2. Connect the cable connected to the pump to the electric supply, please refer to the electric section, page 4.
3. Either by hand or using a coin, rotate boost control (2) fully anti-clockwise, to maximum mark.

WARNING: Do not fit fuse or switch on mains electrical supply at this point.



Varispeed 50 & Singlespeed

Flexible connectors should not be bent more than 90°. Where possible keep all flexible connectors vertical.

1. Connect the flexible connectors (1) supplied to the inlet and outlet ports of the pump. Ensure that the adaptors fitted to the inlets have filters in position.

NOTE: These are designed to effect a leakproof seal with the minimum of tightening. Hand tight is sufficient, the long flexible connectors should be on the inlets. **Ensure not to kink the flexible hoses.**

- Either inlet end can be used for hot or cold.

IMPORTANT: The hoses supplied with the Varispeed 50 and Singlespeed should only be connected with compression fittings. Under no circumstances should solder fittings be used.

2. Connect the cable connected to the pump to the electric supply, please refer to the electric section, page 4.

3. Either by hand or using a coin, rotate boost control (2) fully anti-clockwise, to maximum mark.

WARNING: Do not fit fuse or switch on mains electrical supply at this point.

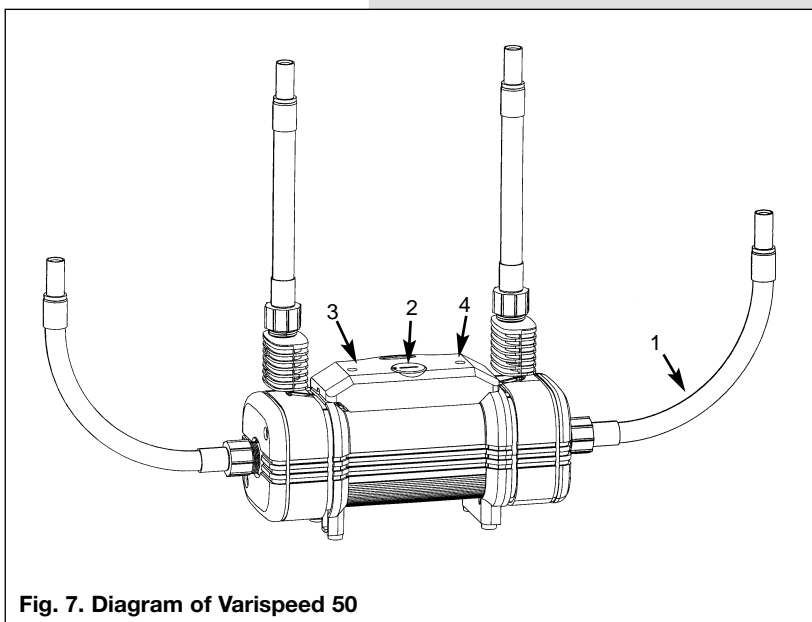


Fig. 7. Diagram of Varispeed 50

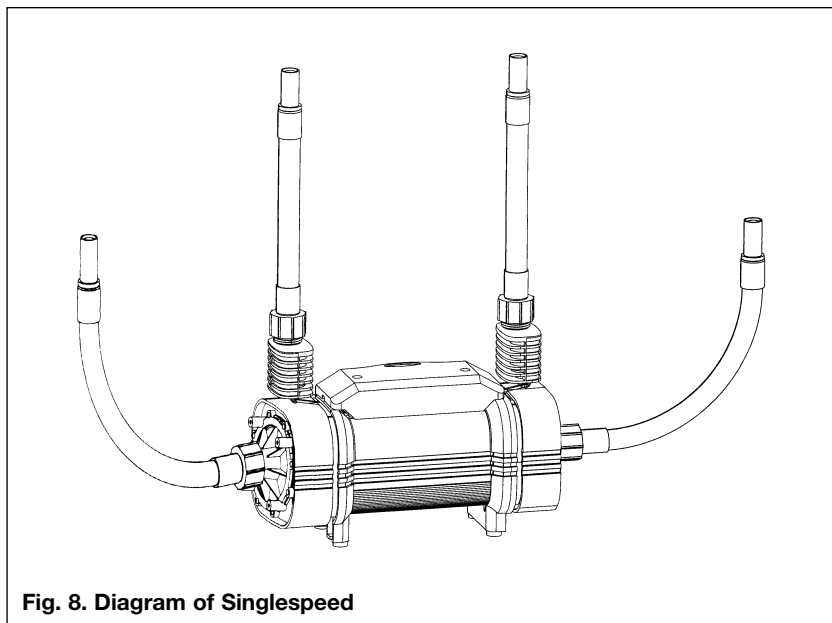


Fig. 8. Diagram of Singlespeed



Planning your installation

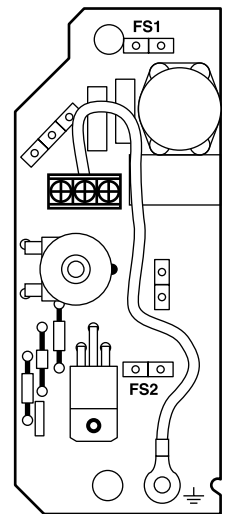
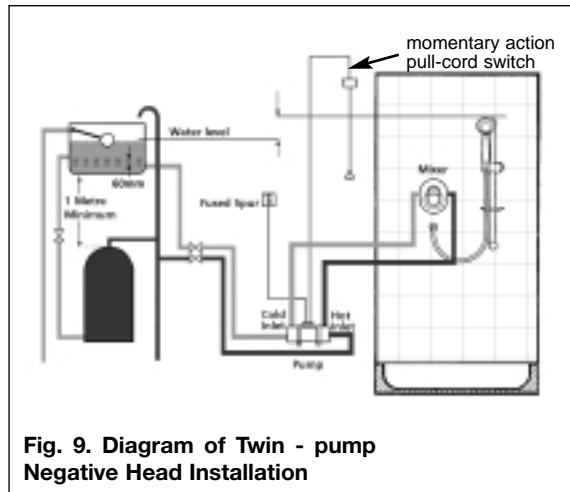
DURASPEED, DURASPEED 2, VARISPEED 50, VARISPEED SI & SINGLESPEED

Where the shower handset or pipework from the pump to the shower, is less than 230mm below the water level in the cold water tank, or in cases where it is above the water level, there will be no natural flow to lift the flow switches and start the pump. A negative head kit will be required to manually start the pump (Fig.9). NewTeam Customer Services can supply a negative head kit, part no. 564-1000. If NewTeam have not supplied your negative head switch, please contact NewTeam Customer Services for a special connection block.

PROCEDURE

Instructions: Fit the electric pull cord switch adjacent to the showering area (Fig. 10). Using 1.0mm² twin and earth cable (not supplied), connect the earth wire to the earth terminal (using a suitable length of green/yellow sleeving) and the remaining two wires to the L1 and L2 terminals in the pull cord switch. Run the cable to the pump and then connect the earth wire (using a suitable length of green/yellow sleeving) to the earth terminal and the remaining two wires to the connection block on FS1 or FS2 (Fig. 10.). **Connect to only FS1 or FS2 NOT BOTH.** Ensure that the original flow switch wires are reterminated in the new connection block.

IMPORTANT: ENSURE THAT THE CONTROL BOX COVER CAN BE REPLACED WITHOUT DAMAGING THE NEW CABLE. A CABLE GROMMET SHOULD BE USED WHERE THE CABLE ENTERS THE BOX.



Commissioning – All Pumps

- Turn on the water supplies and allow system to fill -

DO NOT SWITCH ON ELECTRICITY

IMPORTANT:

All NewTeam pumps utilise quality ceramic water seals. To prevent damage it is essential that water is allowed to flow through both pump chambers to purge out any airpockets prior to the unit being switched on.

1. Turn on mixer valve, and allow the water to flow through hose without the fitted handset under gravity flow in full hot and cold positions for approximately one minute to ensure no foreign matter is left in pipes and the system is purged of air.
2. At this point we recommend checking the inlet filters for debris, which should be cleaned if required, thus ensuring the best long term performance from the shower.

NOTE: Remember to isolate the water supply before removing the hoses to check the filters.

3. Switch on electricity supply to pump.
4. Turn on mixer valve (pump should start) and operate at full flow for a further minute or until all remaining air is purged from the system.

NOTE: For negative head installation, operate the starting switch for long enough for air to purge from flow switches.

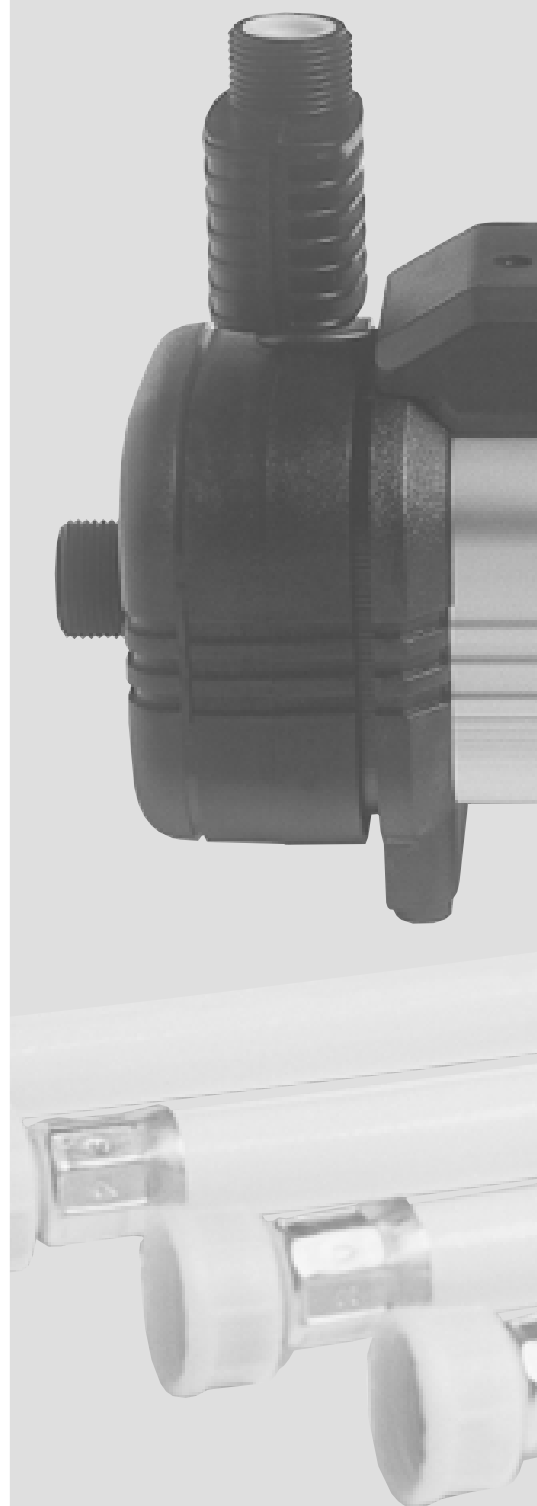
5. Turn off mixer valve and attach handset to hose. The commissioning procedure is now complete.

NOTE: All of the Pumps apart from Singlespeed incorporate a variable speed control, which should be set to suit the users requirements and to achieve optimum performance through the handset. Turn the control anti-clockwise to increase and clockwise to decrease the output. Do not use excessive force. We recommend the pump runs at the minimum speed necessary to give satisfactory performance (normally 10-12 litres of water per minute). Running the pump at too high an output can waste hot water and increase noise from the pump motor.

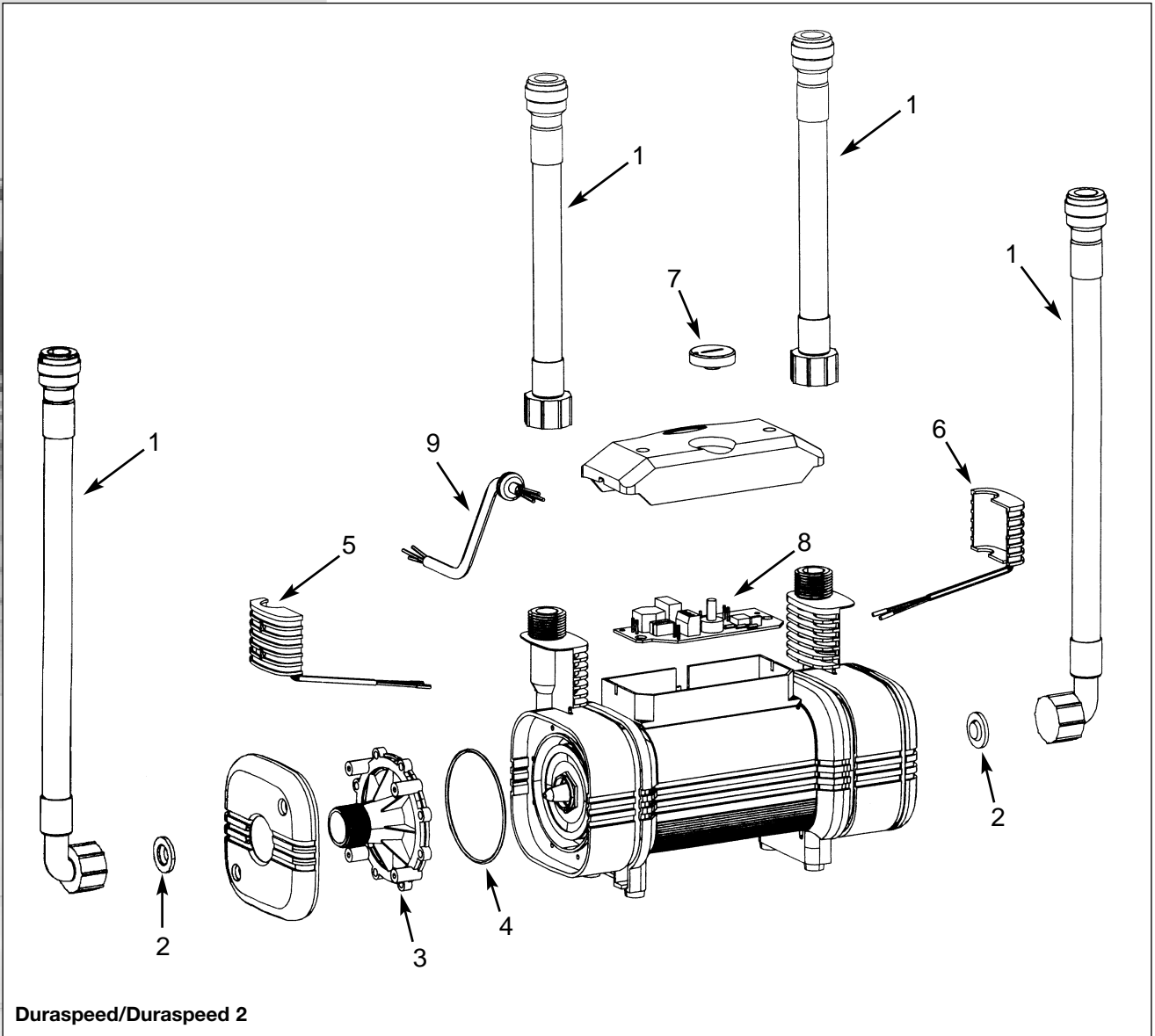
Troubleshooting

In the event that the system will not operate follow this procedure:

- Is the pump switched on?
- Check all fuses and electricity supply.
- Is water supply reaching pump? Check isolating valves are turned on. Check cold water storage tank has not run dry.
- Shower runs cold. Check that there is sufficient hot water in the cylinder.
- Check inlet and outlet pipework is connected correctly.
- Motor may have overheated. Switch off mains and allow the pump to cool and it will auto re-set. Check for adequate ventilation around pump.
- Is handset and all pipework 230mm (9 inches) below the level of water in the cold water storage tank? If not, a negative head kit will be required. See page 8.
- **Remove the inlet adaptor couplings to the pump and flush out any debris from the integral filters, remembering to isolate the water supplies. If system will still not run, contact NewTeam Customer Service Department (01536) 264012.**

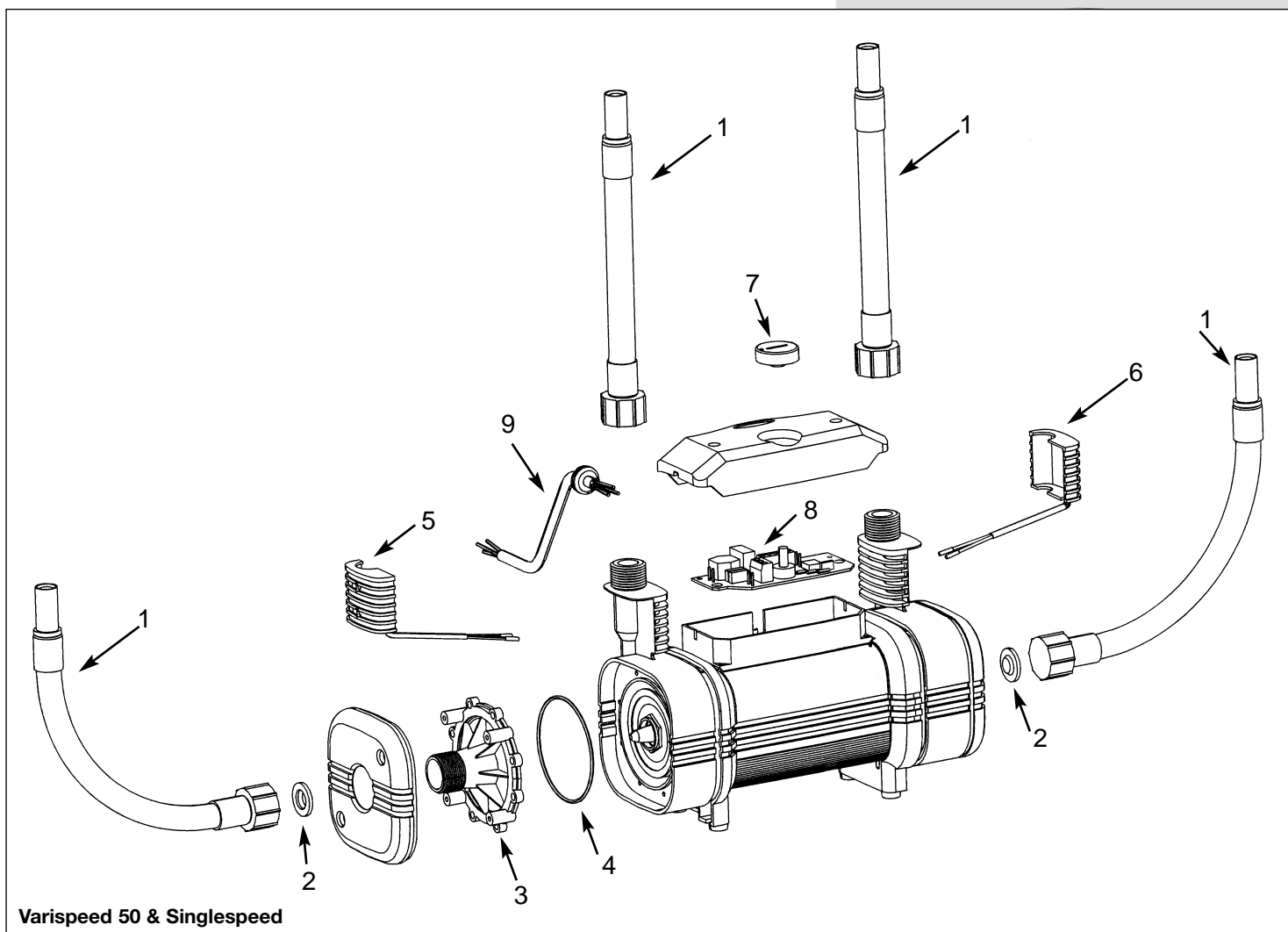


Duraspeed & Duraspeed 2



Ref:	Description	Part No.	Quantity supplied
1	Flexible Hose Kit	SP-565-1002	Set of 4
2	Inlet Filter	SP-035-0041	1
3	Inlet Plate	SP-088-0004-YW	1
4	Inlet Plate 'O' Ring	SP-320-0044	1
5	Reed Switch Assembly (LH)	SP-088-0108-LH	1
6	Reed Switch Assembly (RH)	SP-088-0108-RH	1
7	Flow Control Knob	SP-088-0013	1
8	Printed Circuit Board	SP-088-0501	1
9	Flex	SP-088-0502	1
Not Shown	Duraspeed Pump Complete	SP-088-0503	1
Not Shown	Duraspeed 2 Pump Complete	SP-088-0115	1

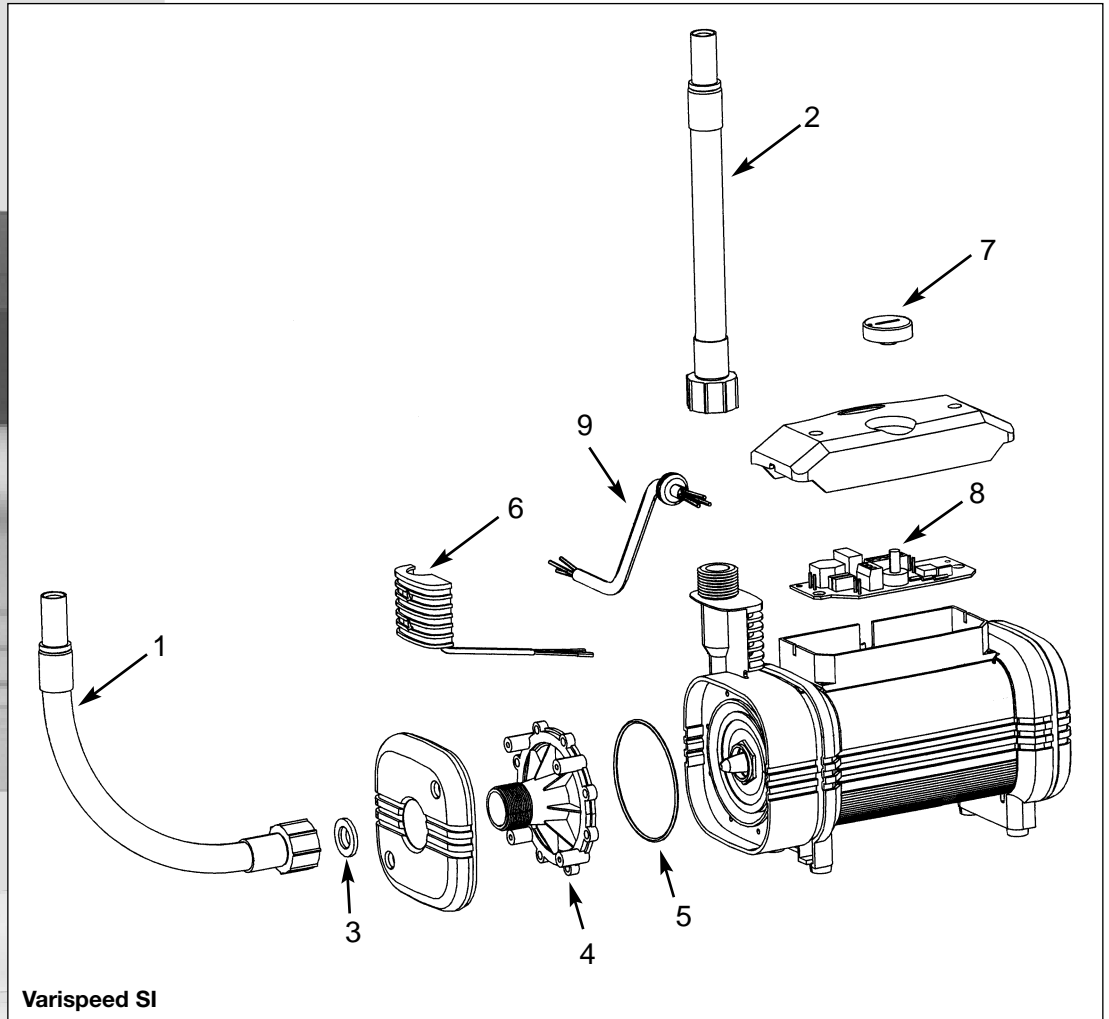
Varispeed 50 & Singlespeed



Ref:	Description	Part No.	Quantity supplied
1	Flexible Hose Kit	SP-565-1001	Set of 4
2	Inlet Filter	SP-035-0041	1
3	Inlet Plate	SP-088-0004	1
4	Inlet Plate 'O' Ring	SP-320-0044	1
5	Reed Switch Assembly (LH)	SP-088-0108-LH	1
6	Reed Switch Assembly (RH)	SP-088-0108-RH	1
7	Flow Control Knob-Varispeed 50	SP-088-0013	1
7 Not Shown	Blanking Cap-Singlespeed	SP-088-0016	1
8	Printed Circuit Board-Varispeed	SP-088-0501	1
8 Not Shown	Printed Circuit Board-Singlespeed	SP-088-0507	1
9	Flex	SP-088-0502	1
Not Shown	Varispeed Pump Complete	SP-010-0100	1
Not Shown	Singlespeed Pump Complete	SP-088-0114	1



Varispeed SI



Varispeed SI

Ref:	Description	Part No.	Quantity supplied
1	Flexible Hose (Inlet)	SP-035-0045	1
2	Flexible Hose (Outlet)	SP-035-0040	1
3	Inlet Filter	SP-035-0041	1
4	Inlet Plate	SP-088-0004	1
5	Inlet Plate 'O' Ring	SP-320-0044	1
6	Reed Switch Assembly (LH)	SP-088-0108-LH	1
7	Flow Control Knob	SP-088-0013	1
8	Printed Circuit Board	SP-088-0501	1
9	Flex	SP-088-0502	1
Not Shown	Varispeed SI Pump Complete	SP-010-0102	1

Guarantee

Thank you for purchasing a NewTeam product, which has been designed, manufactured and tested, in the U.K., to the highest standards.

Guarantee. Varispeed 50 and Varispeed SI - 1 Year - Parts and Labour
Duraspeed, Duraspeed 2 and Singlespeed - 2 Years - (Second Year - Parts Only)

This guarantee applies to products purchased within the United Kingdom or Republic of Ireland, but does not apply to products used commercially.

This is provided that:

1. The guarantee registration card is completed and returned within ten days complete with a copy of proof of purchase.
2. The product is installed and operated in accordance with our instructions and has not been misused or damaged.

This in no way affects your statutory rights as a consumer.

The information on the Guarantee card helps NewTeam to process any claims and contact you about your product and its maintenance if required. The registration of your personal details is purely for NewTeam use, and the other information helps us to make products for the future.

NewTeam Shower products are designed, manufactured and tested to the highest standards.

Should a complaint arise, products are guaranteed against faulty workmanship and materials for a period of 12 months from the date of purchase, when in domestic use (second year guarantee is parts only and only applies to Duraspeed, Duraspeed 2 and Singlespeed). For your guarantee to be valid, your shower pump must be installed by a competent person, in accordance with the instruction manual. Failure to do so will result in a service call charge being levied.

Home visits are made between 8.30am and 5.00pm Monday to Friday. Visits may be available outside these hours at our discretion, in which case a premium will be charged.

NewTeam will repair or replace (at our option), free of charge, any faulty components during the guarantee period, provided it has been maintained and operated in accordance with our instructions, and has not been misused or damaged.

Modification or repair of this product by person(s) not authorised by NewTeam will invalidate this guarantee.

This guarantee does not affect your statutory rights.

Service Policy – Replacement Parts Policy

IMPORTANT:

In the event of product or component malfunction, DO NOT tamper with or remove the product from site. Telephone NewTeam Customer Service Department on 01536 264 012 and be prepared with the date of purchase, model number and a description of the complaint.

Our service staff are fully qualified to advise on correct installation procedures and will be able to diagnose whether the fault will require a replacement part or a visit from a NewTeam engineer.

If required, a service call will be booked, and either yourself or an appointed representative (who should be a person of 18 years or over) must be present during the visit.

All site visits to product within the guarantee period will be carried out free of any parts or labour charges provided the conditions of the guarantee have been adhered to. **(Second year guarantee is parts only and only applies to Duraspeed, Duraspeed 2 and Singlespeed.)**

All site visits to product out of guarantee will be subject to charges for parts and labour which is payable by you or your appointed representative at the time of the visit. Charges will also be levied on cancelled appointments, unless advised to NewTeam at least 24 hours in advance of the agreed date and time.

We reserve the right not to undertake work where payment cannot be made to our engineer at the time of the visit.

NewTeam hold stocks of components for all their range of products and these will be maintained for the duration of their life.

Should a product be discontinued, spare parts stocks will be maintained, but in the event of a part becoming unavailable NewTeam reserve the right to supply a substitute of equal quality.

The following payment methods can be used to obtain spare parts:

By post, pre-payment of proforma invoice by cheque or postal order.

By telephone quoting credit card (Mastercard, Visa or Visa Delta) details.

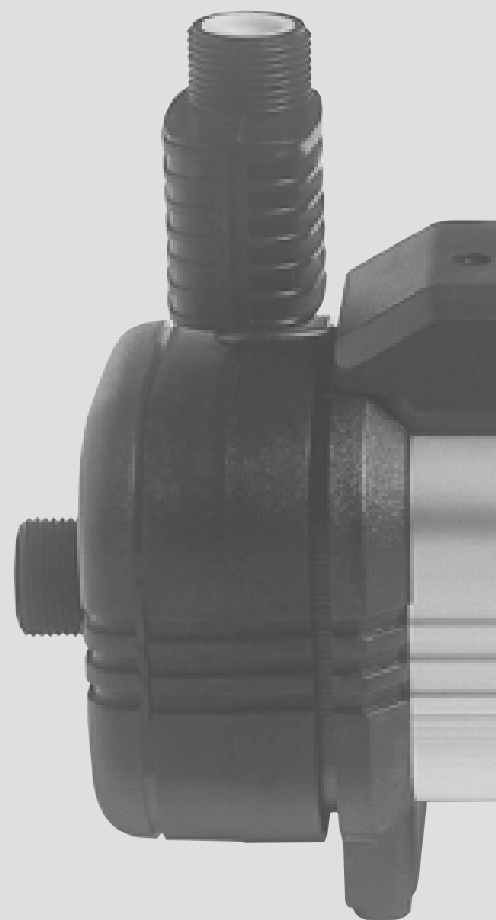
REPLACEMENT PARTS:

Tel: 01536 409 222 • Fax: 01536 409 201 • E-Mail:spares@newteam.co.uk

CUSTOMER SERVICE HOTLINE:

Tel: 01536 264 012 • Fax: 01536 409 201 • E-Mail:service@newteam.co.uk

Part No. 404-0131 05/04





GUARANTEECARD

Please post immediately enclosing a copy of proof of purchase

FOR NEWTEAM USE

AFFIX PRODUCT LABEL HERE

This label identifies your product and provides all the information needed

- Varispeed 50
- Varispeed SI
- Duraspeed
- Duraspeed 2
- Singlespeed

Proof of purchase enclosed

YES NO

NAME:

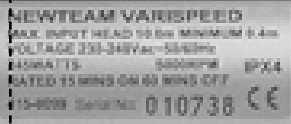
ADDRESS:

POSTCODE:

DATE OF PURCHASE:

PRODUCT PURCHASED FROM:

TOWN:



NewTeam's philosophy is to offer outstanding products with quality and integrity, please help us by taking the time to answer the following questions. Thank you.

MARKETING INFORMATION

1. Please state your profession: Plumber Builder Electrician Customer
Other (please specify) _____
2. Please state the reason for purchasing a Shower Pump: New Build Replacement
Renovation Other (please specify) _____
3. If the product is a replacement pump, please state the type and make of the water heater it is replacing: _____
4. What influenced you to purchase the Shower Pump? Advertisement
Trade Press Recommendation from Stockist Recommendation from Installer
Other (please specify) _____
5. Please state your main reason for purchasing the Shower Pump:
NewTeam Product Knowledge Product Features Product Styling Price
Other (please specify) _____

Please tick here if you do not require any further information or product updates from NewTeam

POST BACK
FOLD AND TAPE AS INSTRUCTED OVERLEAF

Please tape down

Please tape down

3rd Fold

Affix
Stamp



NewTeam Ltd.

Customer Service Dept.
Brunel Road
Earlstrees Industrial Estate
Corby
Northants
NN17 4JW

1st Fold

2nd Fold