

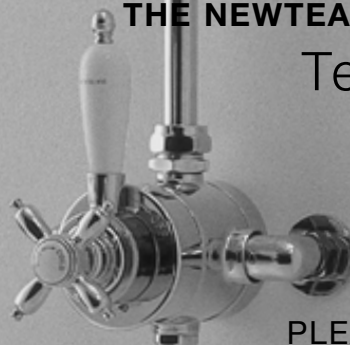


# Installation Instructions and User Guide

**NEWTEAM VICTORIANA  
THERMOSTATIC MIXER VALVE**

**IN THE EVENT OF ANY QUERY PLEASE CONTACT  
THE NEWTEAM CUSTOMER HELPLINE**

**Tel : 01536 264 012**



**PLEASE KEEP THIS BOOKLET  
FOR FUTURE REFERENCE**

**DEAR INSTALLER WHEN YOU HAVE READ THESE INSTRUCTIONS  
PLEASE ENSURE YOU LEAVE THEM WITH THE USER**

# NewTeam Victoriana Thermostatic Mixer Valve

- Elegant Victorian style mixer shower
- High flowing thermostatic valve
- Separate flow and temperature controls
- Swivel head with traditional wide spray pattern
- Surface mounted, single piece riser rail ensures minimal water restriction



# Contents

## Installation and Operating Instructions for NewTeam Thermostatic Mixer Valve

### • Victoriana

Please read this booklet carefully and ensure the installation is undertaken by a competent person.

Note: Following the headings in sequence will guide you through the installation and operation of your NewTeam Victoriana Mixer Shower.

	PAGES
<b>PLANNING YOUR INSTALLATION</b>	<b>3</b>
<b>FITTING YOUR SHOWER</b>	<b>4 - 5</b>
• General	
• Plumbing	
• Fitting the Mixer Valve	
<b>COMMISSIONING</b>	<b>6</b>
<b>USER GUIDE</b>	<b>7</b>
<b>SPARE PARTS LISTING</b>	<b>8</b>
<b>GUARANTEE</b>	<b>9</b>

Refer to back cover for Guarantee, Customer Service and Replacement Parts Policy. In the event of any query regarding installation please contact the NewTeam Customer Service Department

**Tel: 01536 264 012 • Fax: 01536 409 201**

**E-mail: [service@newteam.co.uk](mailto:service@newteam.co.uk) • E-mail: [spares@newteam.co.uk](mailto:spares@newteam.co.uk)**

In line with our policy of continual product development the specifications may be varied and product design altered. We reserve the right to depart from the details given in this manual without prior notice.

## General

1. This shower pack is supplied for fixing to gravity fed stored water systems (Fig 1) which should be capable of providing hot and cold water supplies at nominally equal pressures. Ideally these supplies should be independent of any other draw-offs (e.g. bath/basin taps), thus minimising the effects of any temperature fluctuations whilst using the shower. With slight adjustment this thermostatic Shower can also be made to suit:

**High Pressure, Low Pressure, Mains Pressure, Pumped Pressure, Unequal Pressure**

2. The following chart should be consulted when installing the flow limiters provided into the inlet elbows. (Refer to Fig 2A)

TYPE OF INSTALLATION	HOT SUPPLY	COLD SUPPLY
Gravity Installation, Nominally equal pressures at a minimum of 0.1 bar.	None	None
Pumped installations, nominally equal pressures As above for economy or when using none restrictive (Rain Heads) handsets	None 5 Litre (Yellow) Limiter	None 7 Litre (Green) Limiter
Low pressure hot water at 0.1 - 0.2 bar. Mains cold water between 2 and 10 bar.	None	White orifice disc
Low pressure hot water at 0.2 - 0.4 bar. Mains cold water up to 10 bar	None	None
Low pressure hot water at 0.5 bar Mains cold water up to 10 bar	5 Litre (Yellow) Limiter	7 Litre (Green) Limiter
Unvented Installations, Nominally equal pressures As above for economy or when using none restrictive (Rain Heads) handsets	None 5 Litre (Yellow) Limiter	None 7 Litre (Green) Limiter
Combination Boiler, Multipoint water heaters with an internal flow limiter installed Combination Boiler, Multipoint water heaters without an internal flow limiter installed Important: Please refer to the individual boiler manufacturer instructions prior to installation of this shower valve.	7 Litre (Green) Limiter 7 Litre (Green) Limiter	None 5 Litre (Yellow) Limiter

3. The mixer valve includes a Maximum Temperature Stop which is pre-set to 43°C at works preventing accidental selection of a shower temperature which is too hot.

4. The minimum operating pressure required is 1 metre (0.1 bar).

**If insufficient head pressure is available and you wish to avoid raising the cold water storage water tank, or if you simply require improved flow and pressure characteristics, a NewTeam Booster Pump is available.**



## General

- Please ensure compliance with all Water Authority Bylaws.
- The mixer valve must be sited to provide easy access for use and maintenance.
- We recommend the installation of non-restrictive isolating valves on hot and cold supplies to the mixer valve
- Ensure the mixer valve is not positioned in an area subject to freezing.
- Valve connections accept 15mm copper pipe.
- Do not connect valve directly to mains water supplies without following the guidelines in the flow limiter chart on page 3.

## Plumbing

- Isolate the mains water supplies.
- Drain the system by opening hot and cold water taps.
- Make your connection into the hot water supply pipe from the cylinder ensuring that it is the first draw off below the expansion pipe tee (Fig 1).
- If this is not possible, a direct connection must be made from the hot water cylinder with a cylinder flange.
- The cold water supply should be taken directly from the cold storage tank, and must be positioned 60mm below the cold connection to the hot water cylinder (Fig 1).
- Run pipework to the mixer valve position and connect using the method detailed in the following section.
- The temperature of your stored water must not exceed 65°C. A stored water temperature of 60°C is considered sufficient to meet all normal requirements in line with the British Standard 6700.

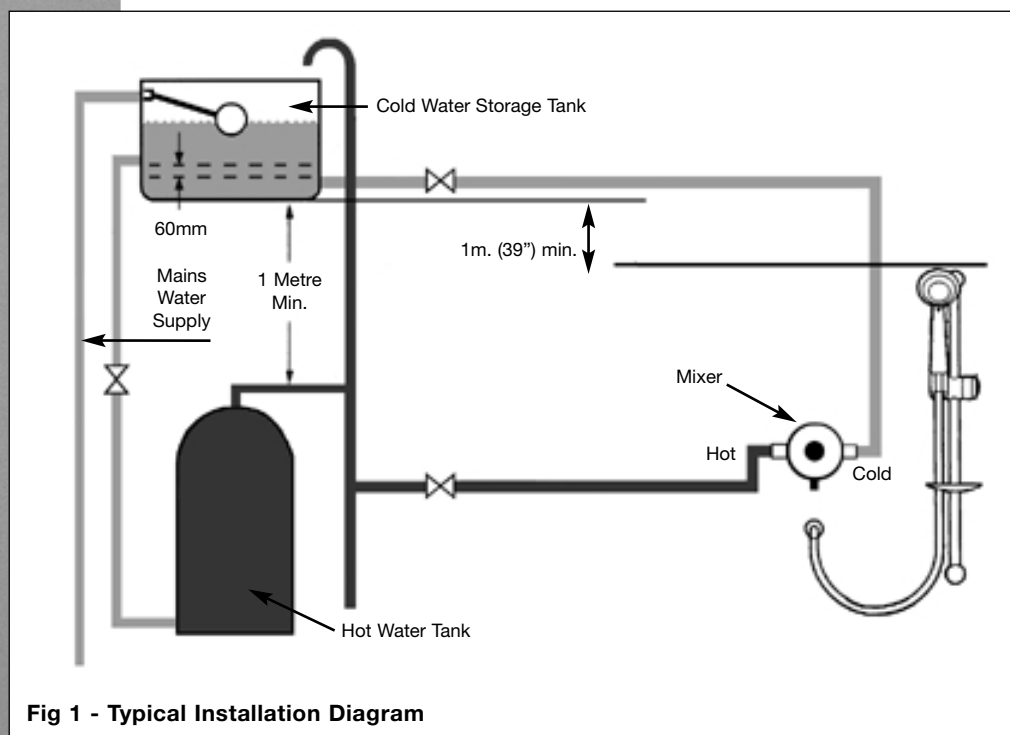


Fig 1 - Typical Installation Diagram

## Fitting the Mixer Valve

When connecting pipework do not solder within 300mm (12") of the valve or expose parts to excessive heat.

We recommend fixing the valve at chest height.

The valve can be connected to rising or falling pipes, or those emerging from the wall surface, by simply rotating the inlet elbows to the desired position. Ensure that the outlet connection is always at the top of the valve when surface mounted.

All the following instructions refer to figures 2 & 3.

- Tighten inlet elbows (Fig 2) (5) fully clockwise into the valve body, and unscrew up to 1½ turns to desired position.
- Select mixer valve position, and place the valve mounting bracket (3) against the wall, with retaining screw hole on the underside. Mark the fixing points, drill and fix using the unplated screws (Fig 2) (2) and plugs provided.
- Bring pipework to the mixer valve position at 138mm to 145mm centres (Hot on the left – Cold on the right). Flush out pipework before installing valve.
- Push valve body (Fig 2) (1) onto mounting bracket (3). Mark pipes appropriate to the position of the inlet elbows. Remove valve from bracket and cut off pipes at the marked level.
- Hold pipes away from the wall. Fit valve onto pipework and then push over the mounting bracket. Carefully tighten compression nuts on the inlet elbows.
- Using the retaining screws (Fig 2) (4) on the mounting bracket to secure the valve.
- Push the compression nut (Fig 3) (4) to fix the spray head over the riser tube (3).
- Push the compression nut (Fig 3) (2) and wall bracket (1) onto the riser tube.
- Place the nut and olive supplied onto the riser tube and position the whole assembly into the outlet of the valve.
- Mark the fixing points of the wall bracket (Fig 3) (1) drill and fix using the plated screws and plugs provided.
- Carefully tighten the outlet compression nut onto the mixing valve.
- Firmly push the bracket collet (Fig 3) (2) between the wall bracket (1) and riser tube (3)
- Attach the spray head (Fig 3) (6) to the riser tube ensuring that the 'O' ring (5) is in position.

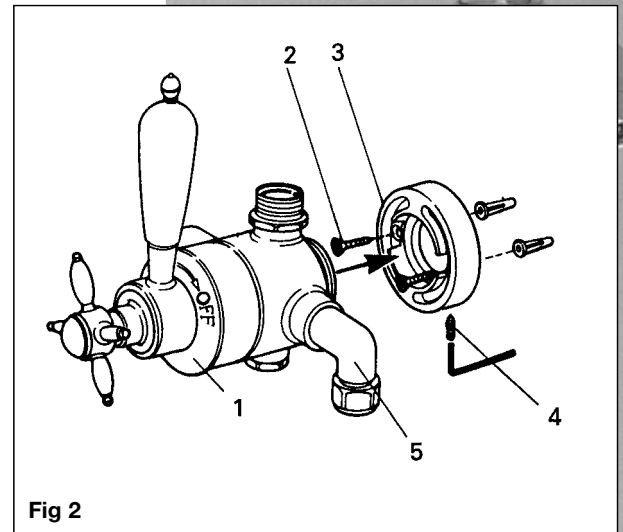


Fig 2

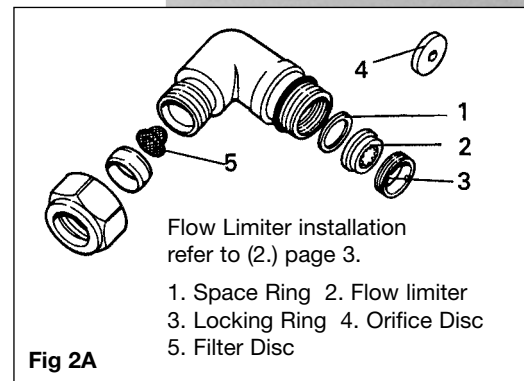


Fig 2A

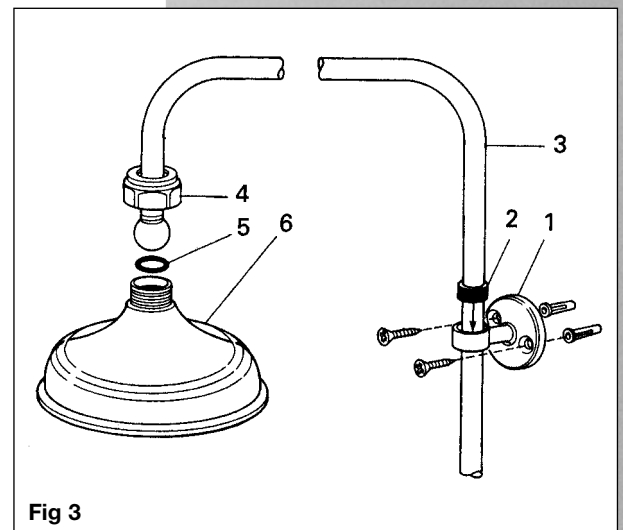


Fig 3



# Commissioning



1. Ensure mixer is in the off position (see User Instructions). Turn on water supplies at mains. Do not attach handset to hose.
2. Turn on mixer valve (see User Instructions) and run shower for 2-3 minutes through hose to ensure no debris is left in the pipes
3. Attach handset to hose
4. Run shower in full flow position and check temperature operation (see User Instructions). Anti-Clockwise movement should gradually increase temperature to full hot. If this is not correct then supplies have been connected to the wrong inlets on the mixer.
5. Demonstrate shower to user.

## Setting the Temperature Limit Stop

The mixer valve allows the showering temperature to be set at a safe level, preventing accidental selection of high temperatures. This has been set during manufacture at 43°C. If adjustment is required please follow instructions below ensuring that the hot water cylinder is at its normal operating temperature.

### The handset must be in spray mode

**Note:** We recommend the reading of the 'User Guide' (see below) before proceeding further. This will familiarise you with the operation of the valve.

### Maximum Temperature Setting – Fig 4

The maximum mixed water temperature should be limited to ensure no undesirable temperature is obtained. If necessary, adjust as follows:-

- Remove the temperature control knob cover (1).
- Turn the flow control knob (4) to the full on position (see Fig 5).
- Turn the temperature control knob (3) to the maximum temperature position.
- Remove the temperature control knob screw (2) and pull off the control knob).
- Adjust the temperature spindle (5) by using the temperature control knob (3) (Partially replaced on splines) if necessary to alter the maximum temperature. When the desired maximum temperature is achieved, replace the temperature control knob (3) on the spline shaft (5) with the limiter (A) to the left hand side of the stop (B) inside the temperature control housing.

**Note:** Turn temperature spline clockwise for a cooler shower and anti-clockwise for a warmer shower.

If the desired maximum temperature is correct replace the temperature control knob screw (2) and knob cap (1).

### The Valve – Fig 5

- Adjust the temperature by rotating the front control knob (1) clockwise to decrease and anti-clockwise to increase, using the arrows as a guide.
- Rotate the flow control knob (2) anti-clockwise to turn the shower on and to achieve full flow.

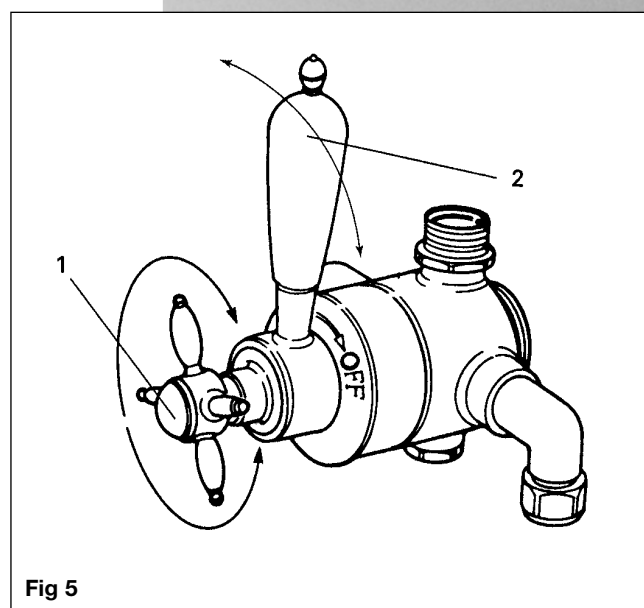
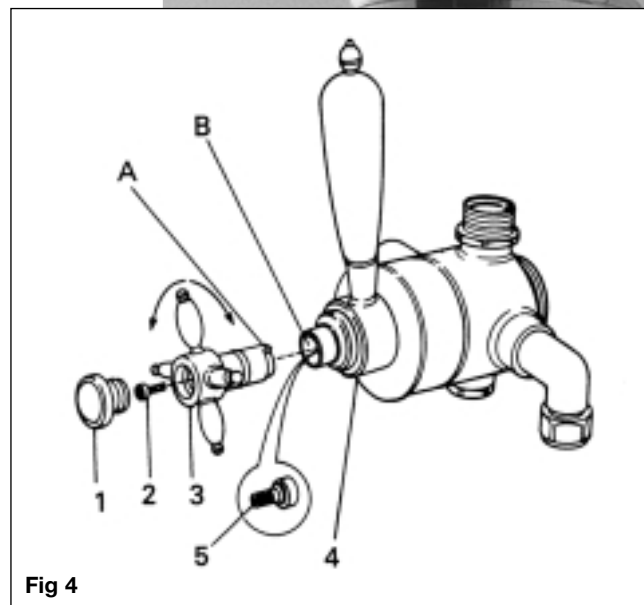
### Shower Care

To ensure continued optimum performance from your Thermostatic shower valve, turn the temperature control knob from full hot to full cold rapidly four or five times with the shower full on. This should be done at least once each week.

Ensure the shower is cleaned regularly with a soft cloth and non-abrasive cleaning agent.

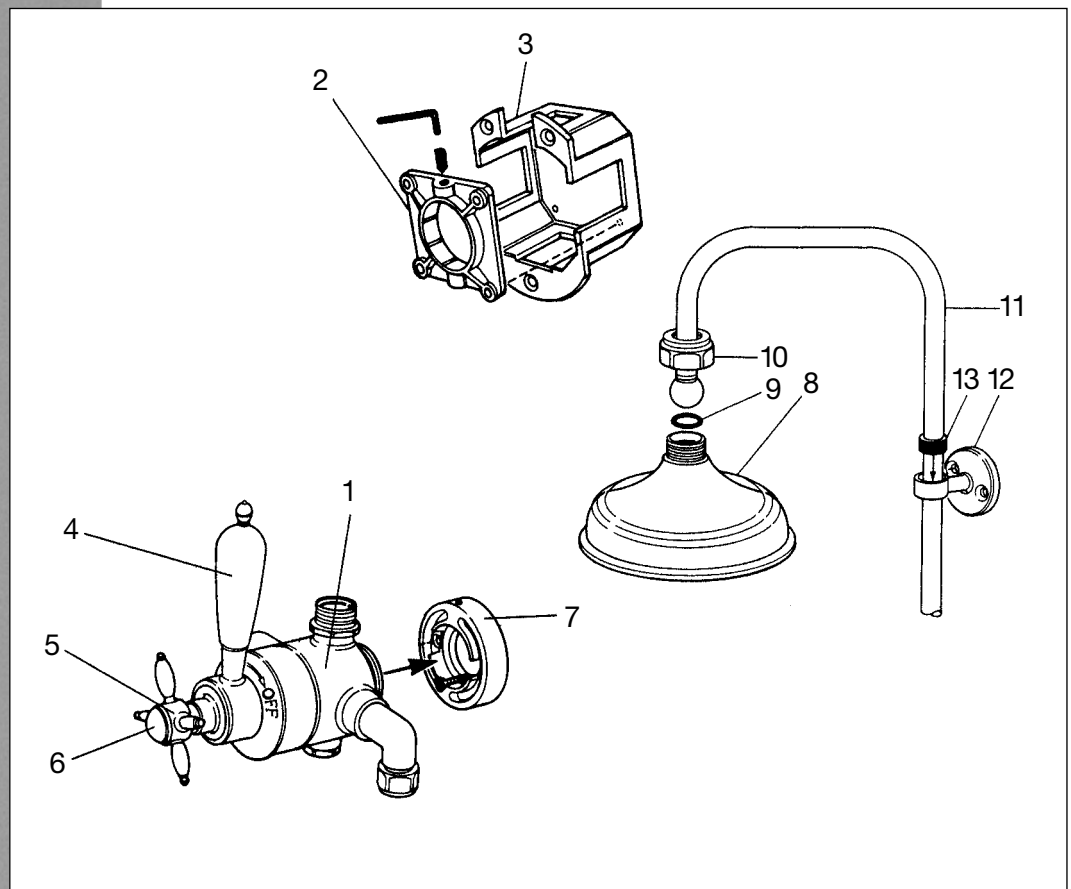
### Maintenance – Handset

- In normal usage, the only item on your shower which may require regular maintenance, is the handset. This is particularly so in hard water areas where formulation of limescale deposits can affect performance.
- **Important:** Routine cleaning by soaking the handset in a proprietary non-abrasive de-scaling agent will maintain optimum performance. Experience in using the shower will determine the intervals between cleaning.

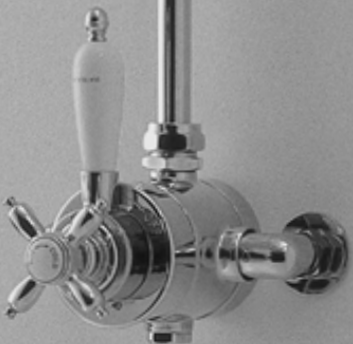




## Victoriana



Ref:	Part No.	Description
1	SP-070-0100	Complete Valve – Exposed
2	SP-070-0003	Concealed Fixing Bracket
3	SP-070-0004	Complete Valve Housing
4	SP-070-0010	Flow Control Handle – Ceramic
5	SP-070-0009	Temperature Control Handle
6	SP-070-0002	Temperature Control Indices – Handle
7	SP-070-0005	Valve Fixing Bracket – Surface
8	SP-070-0010	Shower Head
9	SP-320-0058	Shower Head ‘O’ Ring
10	SP-070-0011	Shower Head Compression Nut
11	SP-070-0012	Exposed Riser Rail
12	SP-070-0013	Riser Rail Support Bracket
13	SP-070-0014	Riser Rail Bracket Collett



## Guarantee

Thank you for purchasing a NewTeam product, which has been designed, manufactured and tested, in the U.K., to the highest standards.

**Guarantee.** 2 Years - First Year - Parts and Labour, Second Year - Parts Only

This is provided that:

1. The guarantee registration card is completed and returned within ten days complete with a copy of proof of purchase.
2. The product is installed and operated in accordance with our instructions and has not been misused or damaged.

This in no way affects your statutory rights as a consumer.

The information on the Guarantee card helps NewTeam to process any claims and contact you about your product and its maintenance if required. The registration of your personal details is purely for NewTeam use, and the other information helps us to make products for the future.

NewTeam Shower products are designed, manufactured and tested to the highest standards.

Should a complaint arise, products are guaranteed against faulty workmanship and materials for a period of 12 months from the date of purchase, when in domestic use (second year guarantee is parts only). For your guarantee to be valid, your shower pump must be installed by a competent person, in accordance with the instruction manual.

NewTeam will repair or replace (at our option), free of charge, any faulty components during the guarantee period, provided it has been maintained and operated in accordance with our instructions, and has not been misused or damaged.

Modification or repair of this product by person(s) not authorised by NewTeam will invalidate this guarantee.

**This guarantee applies to products purchased within the United Kingdom or Republic of Ireland, but does not apply to products used commercially.**

This guarantee does not affect your statutory rights.

## Service Policy - Replacement Parts Policy

### IMPORTANT:

In the event of product or component malfunction, DO NOT tamper with or remove the product from site. Telephone NewTeam Customer Service Department on 01536 264 012 and be prepared with the date of purchase, model number and a description of the complaint.

Our service staff are fully qualified to advise on correct installation procedures and will be able to diagnose whether the fault will require a replacement part or a visit from a NewTeam engineer.

If required, a service call will be booked, and either yourself or an appointed representative (who should be a person of 18 years or over) must be present during the visit.

All site visits to product within the guarantee period will be carried out free of any parts or labour charges provided the conditions of the guarantee have been adhered to. (Second year guarantee is parts only)

All site visits to product out of guarantee will be subject to charges for parts and labour which is payable by you or your appointed representative at the time of the visit. Charges will also be levied on cancelled appointments, unless advised to NewTeam at least 24 hours in advance of the agreed date and time.

We reserve the right not to undertake work where payment cannot be made to our engineer at the time of the visit.

NewTeam hold stocks of components for all their range of products and these will be maintained for the duration of their life.

Should a product be discontinued, spare parts stocks will be maintained, but in the event of a part becoming unavailable NewTeam reserve the right to supply a substitute of equal quality.

The following payment methods can be used to obtain spare parts:

By post, pre-payment of proforma invoice by cheque or postal order.

By telephone quoting credit card (Mastercard, Visa or Visa Delta) details.

### REPLACEMENT PARTS:

**Tel: 01536 409 222 • Fax: 01536 409 201 • E-Mail:spares@newteam.co.uk**

### CUSTOMER SERVICE HOTLINE:

**Tel: 01536 264 012 • Fax: 01536 409 201 • E-Mail:service@newteam.co.uk**





# GUARANTEE CARD

Please post immediately enclosing a copy of proof of purchase

NewTeam Victoriana  
Thermostatic Mixer Shower

Proof of purchase enclosed  
YES  NO

**FOR NEWTEAM USE**  
**AFFIX PRODUCT LABEL HERE**  
This label identifies your product and provides all the information needed

NAME: \_\_\_\_\_  
ADDRESS: \_\_\_\_\_  
\_\_\_\_\_  
POSTCODE: \_\_\_\_\_  
DATE OF PURCHASE: \_\_\_\_\_  
PRODUCT PURCHASED FROM: \_\_\_\_\_  
TOWN: \_\_\_\_\_

NewTeam's philosophy is to offer outstanding products with quality and integrity, please help us by taking the time to answer the following questions. Thank you.

### MARKETING INFORMATION

- 1. Please state your profession: Plumber  Builder  Electrician  Customer   
Other  (please specify) \_\_\_\_\_
- 2. Please state the reason for purchasing a shower: New Build  Replacement   
Renovation  Other  (please specify) \_\_\_\_\_
- 3. If the product is a replacement shower, please state the type and make of the shower it is replacing: \_\_\_\_\_
- 4. What influenced you to purchase the Victoriana Mixer Shower? Advertisement   
Trade Press  Recommendation from Stockist  Recommendation from Installer   
Other  (please specify) \_\_\_\_\_
- 5. Please state your main reason for purchasing the Victoriana Mixer Shower:  
NewTeam Product Knowledge  Product Features  Product Styling  Price   
Other  (please specify) \_\_\_\_\_

Please tick here if you do not require any further information or product updates from NewTeam

**POST BACK**  
**FOLD AND TAPE AS INSTRUCTED OVERLEAF**

Please tape down

Please tape down

3rd Fold

Affix  
Stamp



**NewTeam Ltd.**

Customer Service Dept.  
Brunel Road  
Earlstrees Industrial Estate  
Corby  
Northants  
NN17 4JW

1st Fold

2nd Fold