



# Installation Instructions and User Guide

**NEWTEAM 1500-XT  
THERMOSTATIC POWER SHOWER**

**IN THE EVENT OF ANY QUERY PLEASE CONTACT  
THE NEWTEAM CUSTOMER HELPLINE**

**Tel : 01536 264 012**

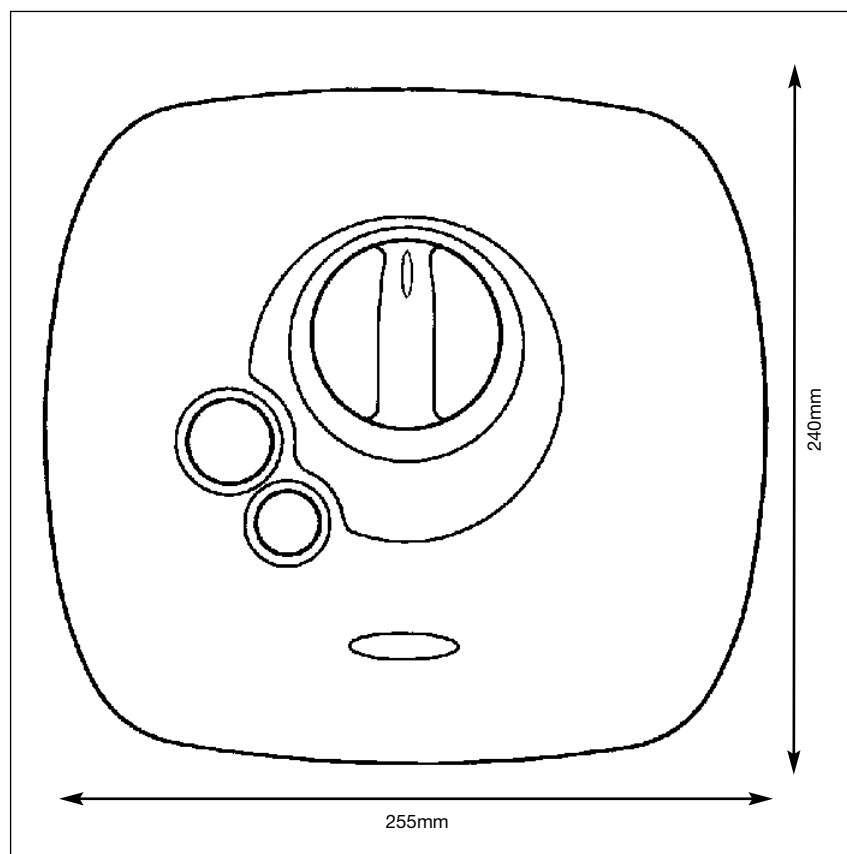
**NewTeam**

**PLEASE KEEP THIS BOOKLET  
FOR FUTURE REFERENCE**

**DEAR INSTALLER WHEN YOU HAVE READ THESE INSTRUCTIONS  
PLEASE ENSURE YOU LEAVE THEM WITH THE USER**

## NewTeam 1500-XT

- Integral pump
- Push-fit fittings
- 3 spray massage handset
- Thermostatic control
- BEAB approval of safety



# Contents

## Installation and Operating Instructions for NewTeam Power Shower

### • 1500-XT

Please read this booklet carefully and ensure a competent person undertakes the installation.

Note: Following the headings in sequence will guide you through the installation and operation of your NewTeam 1500-XT Power Shower.

	<b>Pages</b>
<b>PLANNING YOUR INSTALLATION</b>	<b>3</b>
• Plumbing	
• Electrics	
<b>FITTING YOUR SHOWER</b>	<b>4 - 7</b>
• General	
• The Unit	
• Water/Electrical Connections	
• Surface Mounting	
• Recessed Fitting Pipework	
• Riser Rail	
<b>COMMISSIONING</b>	<b>8</b>
<b>USER INSTRUCTIONS</b>	<b>9</b>
<b>SPARE PARTS LISTING</b>	<b>10</b>
<b>INSTALLER NOTES</b>	<b>11-12</b>
<b>GUARANTEE</b>	<b>13</b>

Refer to back cover for Guarantee, Customer Service and Replacement Parts Policy. In the event of any query regarding installation please contact the NewTeam Customer Service Department

**Tel: 01536 264 012 • Fax: 01536 409 201**

**E-mail: [service@newteam.co.uk](mailto:service@newteam.co.uk) • E-mail: [spares@newteam.co.uk](mailto:spares@newteam.co.uk)**

In line with our policy of continual product development the specifications may be varied and product design altered. We reserve the right to depart from the details given in this manual without prior notice.

## Plumbing

Under no circumstances should the unit be connected directly to the mains cold water supply, or to a combination boiler, or pressurised hot water system.

For correct operation of the NewTeam 1500-XT power shower, both hot and cold water supplies must be gravity fed, at nominally equal pressures, from a cold water storage tank, and a hot water storage cylinder.

We recommend a minimum of 115 litres (25 gallon actual) of cold water supplied by a storage tank. Please ensure compliance with all Water Regulations. **Under no circumstances must the Power Shower be connected to the mains cold water supply.**

Please ensure maximum supply head of 10 metres, minimum 1 metre.

It is recommended that the hot water supply is at a temperature of 60°C, in line with British Standard 6700, British Water Regulations, and Plumbing Code of Practice.

Do not use jointing compounds when connecting, and do not solder within 300mm of the unit.

Before proceeding with the installation of this unit, check that your site requirements allow the handset to be a minimum of 1 metre below the bottom of the cold water storage tank to allow the 1500-XT to also operate on gravity.

## Electrics

**WARNING: THIS APPLIANCE MUST BE EARTHED.**

**All electrical wiring for the shower must comply with the current I.E.E Regulations which includes earth-cross bonding to all metal pipework.**

### IMPORTANT:

All plumbing should be completed before final electrical connections are made.

The shower must be connected to a 230/240 volt A.C electrical supply from a 13-amp ring main, via a fused double pole switch with at least 3mm contact separation. The switch is to be clearly identifiable, a minimum distance of 2.5m from a fixed tap or shower, i.e. mounted in an adjacent room or via a ceiling-type pull cord switch. The unit should be fused at no more than 3 amps.

This appliance must be earthed, and all associated metal pipework earth crossbonded in line with current I.E.E regulations.

As the colours of the wires in the cable (not supplied) used to connect to this appliance may not correspond with the coloured markings identifying the terminals in your switch, please follow the procedure below:

Please use the cable entry point provided. Failure to comply will eliminate any BEAB approval.

### Procedure:

- The wire, which is coloured Blue or Black, must be connected to the terminal that is marked with the letter N.
- The wire, which is coloured Brown or Red, must be connected to the terminal that is marked with the letter L.
- The wire which is coloured Yellow/Green must be connected to the terminal which is marked with the earth symbol (⊕).
- The installation and wiring must comply with I.E.E regulations.

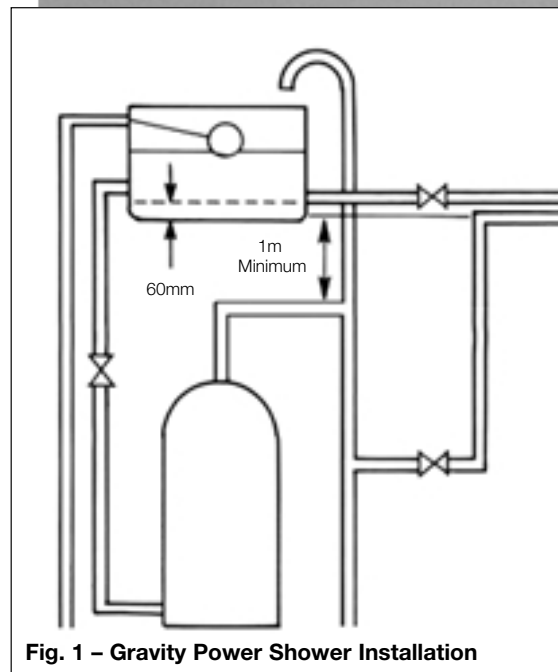


Fig. 1 – Gravity Power Shower Installation



## General

In addition to the recommendation on 'Planning your Installation' please take note of the following:

- All plumbing should be completed before any electrical connections are undertaken.
- The unit can be connected to a combination cylinder system providing it has a cold water storage capacity of 115 litres (25 gallons actual).
- When connecting pipework avoid using elbows: sweep or formed bends will ensure optimum performance.
- Do not solder within 300mm of the unit.
- Do not run pump dry this will damage the internal seal and invalidate the warranty.
- All pipework to and from the unit should be a minimum of 15mm. Non-restrictive isolating valves must be fitted on hot and cold supply pipes.
- Do not position unit in areas subjected to freezing conditions.
- The temperature of your stored water must not exceed 65°C. A stored water temperature of 60°C is considered sufficient to meet all normal requirements in line with the British Standard 6700.

**WARNING – ALL CONNECTING PIPEWORK SHOULD BE EARTHED**

### Procedure - Plumbing Connections: Fig 1.

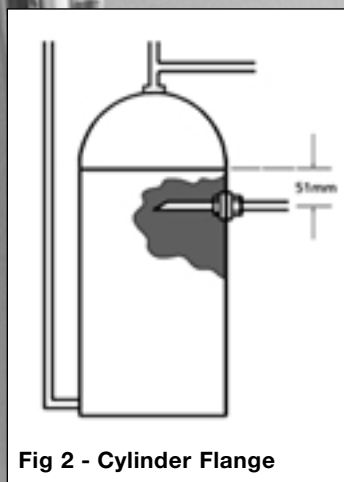
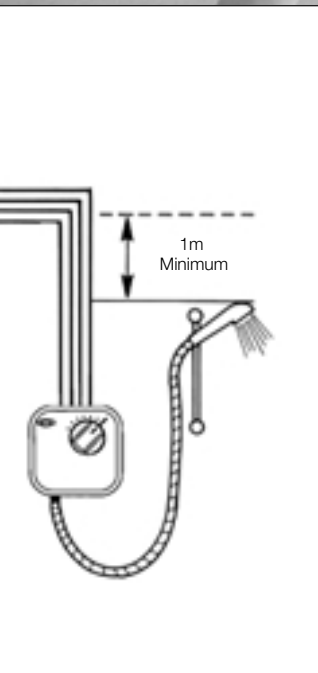
1. Isolate mains water and electrical supplies.
2. To empty the pipework open the hot and cold water taps.
3. Make your connection into the hot water supply pipe from the cylinder, ensuring that it is the first draw-off (below the expansion pipe tee) to minimise the effects of water draw offs elsewhere in the house, and a minimum of 1 metre from the base of the cold storage tank and the expansion tee.
4. If this is not possible, a direct connection must be made from the hot water cylinder with a cylinder flange, Fig 2.
5. The cold water supply should be taken directly from the cold storage tank, and must be positioned 60mm below the cold feed connection to the hot water cylinder. This should not be directly beneath the ball valve as aeration of the water going to the shower could cause pump damage.
6. Run hot and cold pipework to the unit position.

## The Unit

We recommend that the unit is fitted at chest height, and set to one side of the intended riser rail position, ensuring that the top of the unit is at least 75mm below the base of the cold water tank.

### IMPORTANT:

- The unit must be fitted on the finished tiled surface.
- **Do not seal the edge of the unit to the tiled surface with any sealant**, as the gap below the back of the unit and the tiles is needed for ventilation.
- The outlet connection must be positioned at the bottom of the unit.



**Fig 2 - Cylinder Flange**

## Water/Electrical Connections

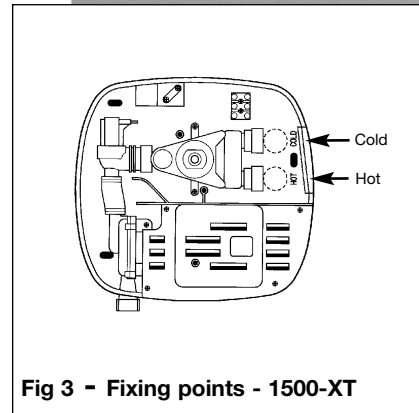
### WARNING:

Do not fit fuse or switch on mains electrical supply until all plumbing work is completed. Connecting pipework can feed from above or below the unit, or straight through the wall at nominal centres of 40mm.

- Top Feed** = **Hot on the right /cold on the left**
- Bottom Feed** = **Hot on the left/cold on the right**
- Back Feed** = **Hot on the bottom/cold on the top**

### Procedure:

- The integral fittings on the valve are of the self-seal push-fit type. All burrs and rough edges must be removed from the end of the tube. Where chrome plated tube is used, roughen or remove the first 25mm of plating
- The inlet elbows supplied are of a standard length, in some cases these will need to be shortened for correct installation.

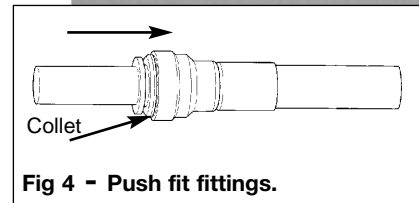


**Fig 3 - Fixing points - 1500-XT**

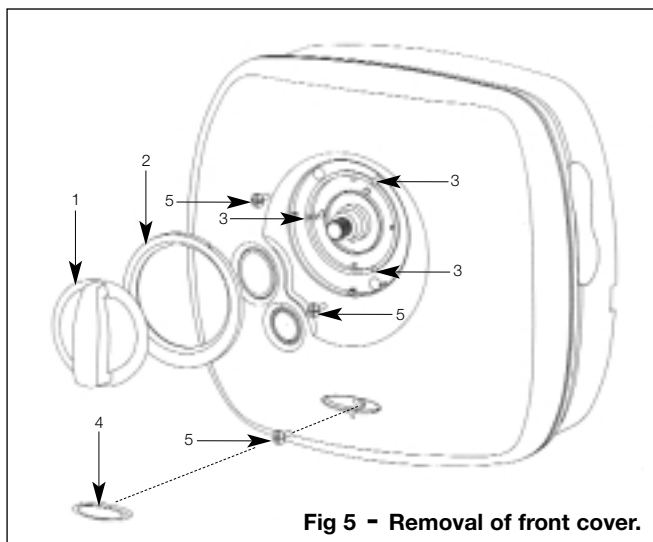
## Removal of Front Cover and Control Knobs

Please note that this product comes packaged with the front cover and control knobs already in place. These have to be removed to install the shower. Please follow the procedure below (Fig 5):

1. Pull off control knob (1).
2. To remove the graphic ring (2) which surrounds the main control knob, insert a thin bladed screwdriver into the recess marked (3). gently prise off the ring, revealing 2 fixing screws.
3. Remove lower logo (4) by inserting a thin bladed screwdriver in the slot, to reveal the lower fixing screw.
4. Remove all 3 fixing screws (5). The cover can now be slowly removed - care should be taken no to strain wiring which is attached to the front cover.
5. This procedure can be reversed to replace the front cover and control knobs after installation to the wall.



**Fig 4 - Push fit fittings.**

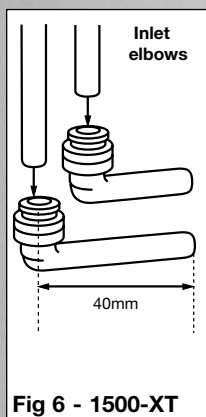


**Fig 5 - Removal of front cover.**



## Surface Mounting

- 1) If exposed pipework is the option chosen, the pipes enter the unit on the right hand side with the cold at the top. The pipe centres are 40 mm apart, and need to penetrate the mixer valve connections by a minimum of 22mm.
- 2) Position the unit on the wall and mark the fixing hole positions. Drill the wall, insert the wall plugs supplied, and secure the unit to the wall. Make the necessary measurements, remove the unit from the wall, and bring the pipework and wiring to finished positions.
- 3) Make the hot water connection into the hot water supply pipe from the cylinder, ensuring that it is the first draw off (below the expansion tee), to minimise the effects of water drawn off elsewhere in the house, and a minimum of 1 metre below the base of the cold water storage tank. If connection to the hot water supply pipe is not possible, a cylinder flange type connection may be used as illustrated (Fig.2 Cylinder connection flange)
- 4) Make the cold water connection into the base of the cold water storage tank, 60mm below the level of the cold water take off to the hot water cylinder.
- 5) Flush out the pipework
- 6) Detach the pipe entry grommet and, using a sharp knife or similar, remove the centre (15mm dia.) portions, and refit the grommet.
- 7) Fit the shower unit over the pipework, and insert the mains wiring through the aperture at the top of the base moulding. Ensure that the supply pipes are fully inserted into the mixer valve "push fit" connections, and fix the unit to the wall.
- 8) Connect the wiring in line with the polarity indications moulded into the base unit.



## Recessed Fitting Pipework

- 1) If the pipework is to be recessed, it should be let into the wall with the ends of the hot and cold pipes standing 40mm off the finished surface of the wall, and centres 40mm apart, with the cold above the hot. Connections to the hot and cold water supplies should be made as described above, knocking out inlet holes in rear of unit.
- 2) Position the unit on the wall with the inlet pipes centred in the holes in the rear of the base moulding, mark the fixing screw positions on the wall and remove the unit.
- 3) Drill the fixing screw holes and insert the wall plugs supplied.
- 4) Cut the plastic inlet elbows supplied to 40mm long from the centre of the elbow as illustrated (Fig 6), and remove any burrs from the cut end. Fit the cut inlet elbows into the push-fit connectors on the shower mixer valve.
- 5) Flush out the pipework.
- 6) Fit the shower unit over the pipework, and insert the mains wiring through the aperture at the top of the base moulding. Ensure that the supply pipes are fully inserted into the inlet elbow "push fit" connections, and fix the unit to the wall using the fixing screws supplied.
- 7) Connect the wiring in line with the polarity indications moulded into the base unit.



## Spirit Rail Kit

Before proceeding with fitting the rail, identify each of the items supplied using the illustration.

The slider need not be removed from the rail during fitting. The top of the slider has a smooth profile, whereas the underside has a recess revealing the grooves on the handset holder.

No	Part Description
1	Rail end cap
2	Spirit level
3-4	Rail with slider attached
5	Soap Dish
6	Screw cap
7	Soap dish fixing screw
	Rail fixing screws & wall plugs

Fit the soap dish onto the bottom end of the rail and secure using the small screw from the kit.

Position the rail on the wall, bearing in mind the heights of people likely to use the shower, and the length of the hose when connected to the shower and passed through the retaining hole in the soap dish. Mark the wall to indicate the upper fixing screw position. Screw centres are 605 mm (approx. 23 - inches,) apart.

Drill the wall at the marked fixing position using a 6 mm drill, and loosely fix the rail end, checking that the rail is hanging vertically using the spirit level incorporated into the top end of the rail. The bubble should be exactly between the two lines on the spirit level body. Mark the position for the lower fixing screw, move the rail to one side, drill the wall, and fix the lower end of the rail.

Check that the rail is vertical and tighten both fixing screws.

Slide the end cap into position on the top end of the rail, and fit the screw cover into the recess in the soap dish.

When fitting the hose, it should pass through the larger hole of the soap dish.

**NOTE:** The hose nut, and not the handset handle, fits into the slider, and the slider moves more freely on the rail if gripped next to the rail, rather than at the handset.

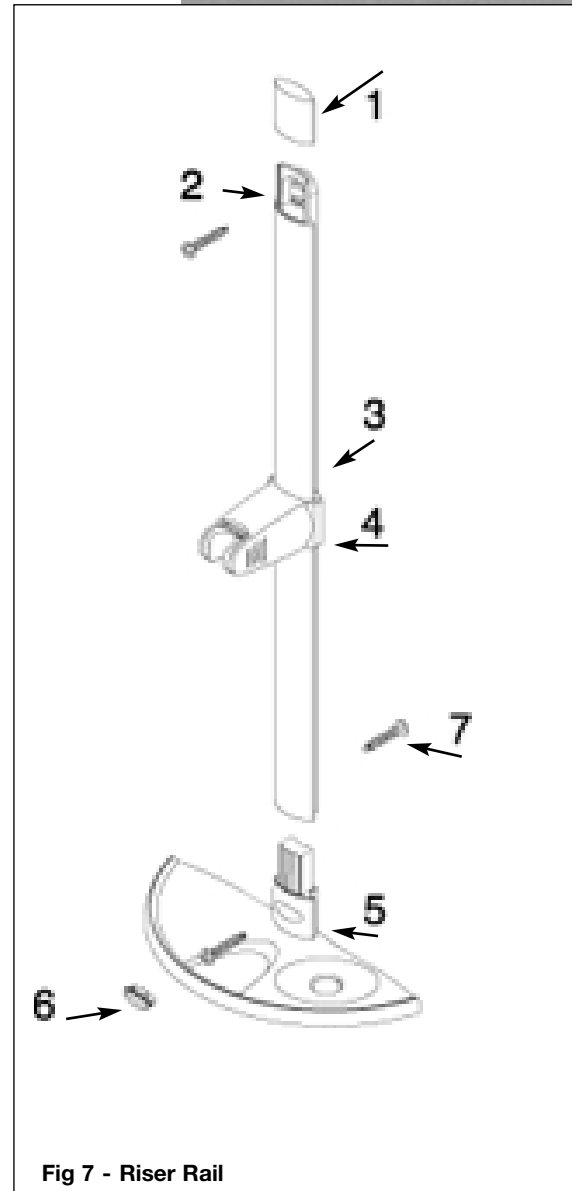


Fig 7 - Riser Rail



## Commissioning

- 1) Connect the shower hose – without the handset – to the outlet from the unit.
- 2) Turn on the hot and cold water isolating valves, and the electricity-isolating switch, and place the open end of the shower hose in the shower tray or bath.
- 3) Set the temperature control knob to cold, fully clockwise, and press the “Stop/Start” button.
- 4) Cold water will flow from the hose, and this should be allowed to continue for 2 minutes, after which time the control knob may be turned to the “12 o’clock” position. Allow the water to run for a few minutes to stabilise the hot water flow, and then check that the water is at a comfortable showering temperature.
- 5) If it is too hot or too cold, turn off the electricity-isolating switch, pull off the control knob, and adjust the brass spindle anti-clockwise to increase the temperature - clockwise to decrease. Replace the knob in the “12 o’clock” position, switch the electricity on, and check the water temperature. Readjust as necessary until a satisfactory temperature is achieved.
- 6) Pass the shower hose through the hole in the soap dish and, using the rubber sealing washer supplied, fit the showerhead to the hose and place the showerhead in the handset holder.
- 7) Press the Stop/Start button. Water flows from the shower head under the gravity pressure from the storage tank. **Press the Shower Boost button and the pump starts, boosting the shower pressure.**

## Temperature Adjustment

The valve allows the maximum showering temperature to be set at a safe level, preventing accidental scalding. This setting should be made during commissioning and will require that the hot water cylinder is at its normal operating temperature.

### IMPORTANT:

- The handset must be in the spray mode.
- We recommend the reading of User Instructions before proceeding further. This will familiarise you with the operation of the shower.

### Procedure:

Turn the brass mixer valve spindle fully clockwise, and then anti-clockwise until the black line on the spindle is aligned with the groove on the mixer body, and fit the control knob in the fully cold position. Check that it is correctly fitted by turning fully clockwise to the stop, pull the knob off and check that the black line and groove are aligned. Adjust if necessary. This sets the shower temperature to 38-40°C, with the control knob pointing to “12 o’clock”, if the hot water is at the recommended 60°C.

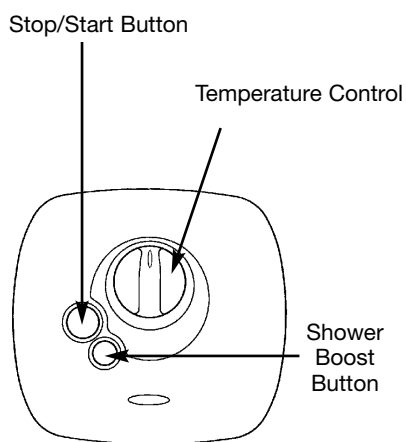


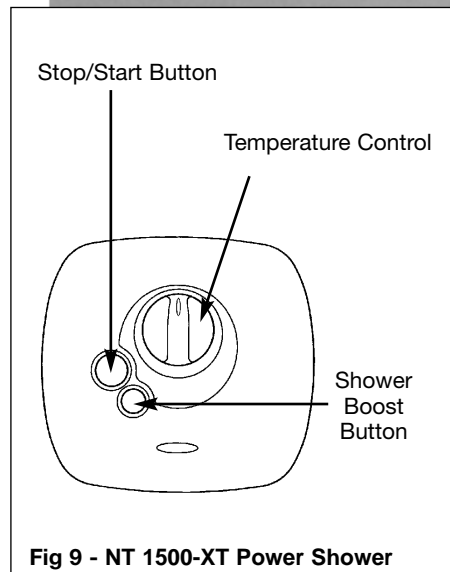
Fig 8 - NT 1500-XT Power Shower

## NewTeam 1500-XT

- 1) To operate the shower, turn the control knob to the vertical - 12 o'clock position, and press the Stop/Start button.
- 2) Adjust the shower temperature by turning the knob anti-clockwise - towards red, for warmer temperature, and clockwise - blue, for cooler.
- 3) Setting the knob in the same position in future will give the same showering temperature.
- 4) If a more powerful shower is required, press the Shower Boost button.

**NOTE:** The Shower Boost facility is not available unless the Stop/Start button is operated.

- 5) The handset holder has a friction grip on the rail and simply slides up and down to adjust the height. The angle of the handset in the holder has 5, spring loaded positions. To adjust, grip the handset handle next to the hose nut, and move it to it's required position.
- 6) The handset has 3 spray modes, which are selected by rotating the bezel around the spray head.
- 7) Do not at anytime use bath cleaning liquids, powders or specified scratch cleaners on any surface finishes. In order to avoid surface wear or chemical attack on any of your shower fittings when cleaning, always use a damp cloth. For persistent stains or marks, you may use a domestic liquid or soap.



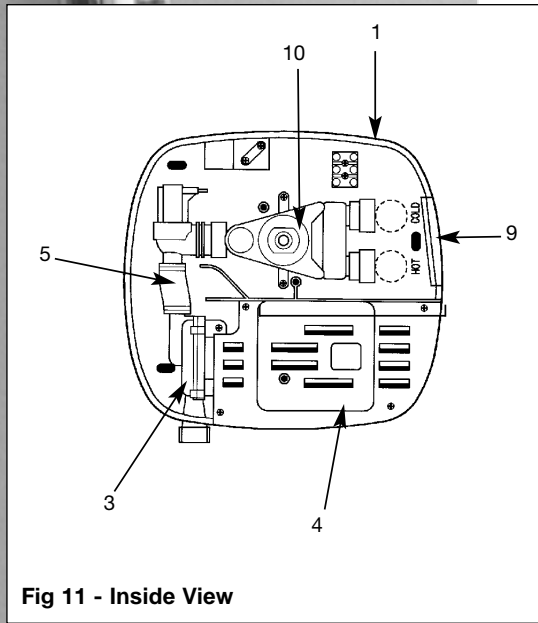
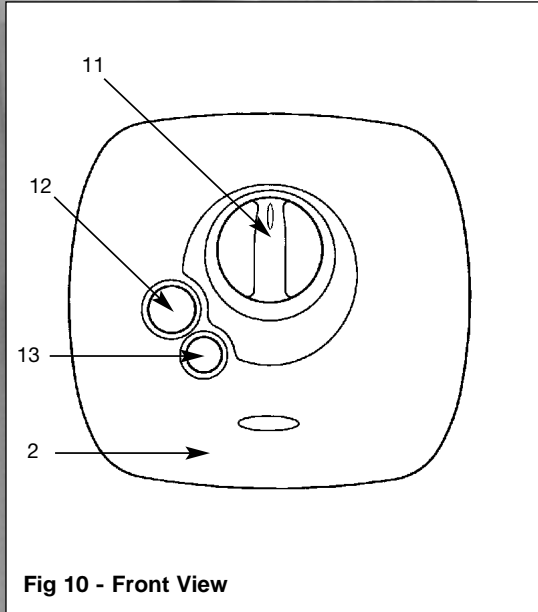
**Fig 9 - NT 1500-XT Power Shower**

## Troubleshooting

Symptom	Likely Cause	Action / Remedy
Pump not operating	Electric is not switched on	Check all fuses and electricity supply
Pump operates when mixer is switched off	Micro switch is not operating correctly	Check micro switch lever is securely located
No water flow (Hot or Cold)	Isolating valves turned off	Turn on isolating valves Check cold water storage tank has not run dry
Poor performance	Poor hot or cold flow Pump motor may have overheated	Check hot and cold supplies Allow unit to cool and it will automatically re-set Check for adequate ventilation
	Unit may be in the wrong position	Check that the top of the unit is at least 75mm below the base of the cold water storage tank



## NewTeam 1500-XT

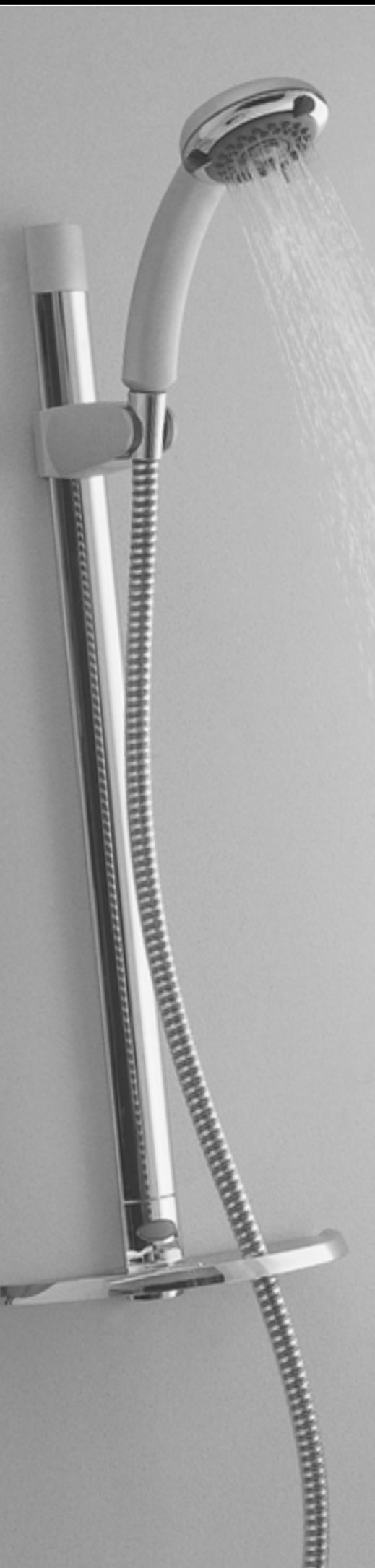


Item No.	Part No.	Description
1.	SP-087-0105 *	Base Assembly
2.	SP-087-0507 *	Front Cover
3.	SP-087-0110	Pump Unit
4.	SP-087-0097	Motor Cover
5.	SP-087-0127	Pipe Connection
6.	SP-490-0014	Front Cover Screws (not shown)
7.	SP-087-0129	Latching Switch (not shown)
8.	SP-086-0060	Long Inlet Elbow (x2) (not shown)
9.	SP-087-0091	TPE Cover
10.	SP-087-0154	Mixer Valve Complete
11.	SP-087-0505 *	Temperature Control Knob
12.	SP-087-0503 *	Start/Stop Button
13.	SP-087-0504 *	Shower Boost Button
14.	SP-280-0100 *	Spirit Rail & Slider Assembly (not Shown)
15.	SP-280-0033	Soap dish/Rail End Shelf (not shown)
16.	SP-280-0024 *	Rail End Cap (not Shown)
17.	SP-285-0820 *	Hose (not Shown)
18.	SP-168-0204 *	Handset (not Shown)
19.	SP-087-0230	Solenoid (not Shown)

\* please state colour



# Installer Notes



## Guarantee

Thank you for purchasing a NewTeam product, which has been designed, manufactured and tested, in the U.K., to the highest standards.

### **Guarantee. 2 Years, 1 Year - Parts and Labour Second Year- Parts Only**

This is provided that:

1. The guarantee registration card is completed and returned within ten days complete with a copy of proof of purchase.
2. The product is installed and operated in accordance with our instructions and has not been misused or damaged.

This in no way affects your statutory rights as a consumer.

The information on the Guarantee card helps NewTeam to process any claims and contact you about your product and its maintenance if required. The registration of your personal details is purely for NewTeam use, and the other information helps us to make products for the future.

NewTeam Shower products are designed, manufactured and tested to the highest standards.

Should a complaint arise, products are guaranteed against faulty workmanship and materials for a period of 12 months from the date of purchase, when in domestic use (second year guarantee is parts only). For your guarantee to be valid, your shower pump must be installed by a competent person, in accordance with the instruction manual.

NewTeam will repair or replace (at our option), free of charge, any faulty components during the guarantee period, provided it has been maintained and operated in accordance with our instructions, and has not been misused or damaged.

Modification or repair of this product by person(s) not authorised by NewTeam will invalidate this guarantee.

**This guarantee applies to products purchased within the United Kingdom or Republic of Ireland, but does not apply to products used commercially.**

This guarantee does not affect your statutory rights.

## Service Policy - Replacement Parts Policy

### **IMPORTANT:**

In the event of product or component malfunction, DO NOT tamper with or remove the product from site. Telephone NewTeam Customer Service Department on 01536 264 012 and be prepared with the date of purchase, model number and a description of the complaint.

Our service staff are fully qualified to advise on correct installation procedures and will be able to diagnose whether the fault will require a replacement part or a visit from a NewTeam engineer.

If required, a service call will be booked, and either yourself or an appointed representative (who should be a person of 18 years or over) must be present during the visit.

All site visits to product within the guarantee period will be carried out free of any parts or labour charges provided the conditions of the guarantee have been adhered to. **(Second year guarantee is parts only)**

All site visits to product out of guarantee will be subject to charges for parts and labour which is payable by you or your appointed representative at the time of the visit. Charges will also be levied on cancelled appointments, unless advised to NewTeam at least 24 hours in advance of the agreed date and time.

We reserve the right not to undertake work where payment cannot be made to our engineer at the time of the visit.

NewTeam hold stocks of components for all their range of products and these will be maintained for the duration of their life.

Should a product be discontinued, spare parts stocks will be maintained, but in the event of a part becoming unavailable NewTeam reserve the right to supply a substitute of equal quality.

The following payment methods can be used to obtain spare parts:

By post, pre-payment of proforma invoice by cheque or postal order.

By telephone quoting credit card (Mastercard, Visa or Visa Delta) details.

### **REPLACEMENT PARTS:**

**Tel: 01536 409 222 • Fax: 01536 409 201 • E-Mail:spares@newteam.co.uk**

### **CUSTOMER SERVICE HOTLINE:**

**Tel: 01536 264 012 • Fax: 01536 409 201 • E-Mail:service@newteam.co.uk**



**NewTeam**

# GUARANTEECARD

Please post immediately enclosing a copy of proof of purchase

**FOR NEWTEAM USE**

**AFFIX PRODUCT LABEL HERE**

This label identifies your product and provides all the information needed

**NewTeam Power Shower  
1500-XT**

**Proof of purchase enclosed**

**YES**

**NO**

NAME:

ADDRESS:

POSTCODE:

DATE OF PURCHASE:

PRODUCT PURCHASED FROM:

TOWN:

NewTeam's philosophy is to offer outstanding products with quality and integrity, please help us by taking the time to answer the following questions. Thank you.

### MARKETING INFORMATION

1. Please state your profession: Plumber  Builder  Electrician  Customer   
Other  (please specify) \_\_\_\_\_

2. Please state the reason for purchasing a shower: New Build  Replacement   
Renovation  Other  (please specify) \_\_\_\_\_

3. If the product is a replacement shower, please state the type and make of the shower it is replacing: \_\_\_\_\_

4. What influenced you to purchase the 1500-XT Power Shower? Advertisement   
Trade Press  Recommendation from Stockist  Recommendation from Installer   
Other  (please specify) \_\_\_\_\_

5. Please state your main reason for purchasing the 1500-XT Power Shower:  
NewTeam Product Knowledge  Product Features  Product Styling  Price   
Other  (please specify) \_\_\_\_\_

Please tick here if you do not require any further information or product updates from NewTeam

**POST BACK**

**FOLD AND TAPE AS INSTRUCTED OVERLEAF**



Please tape down

Please tape down

3rd Fold

Affix  
Stamp



**NewTeam Ltd.**

Customer Service Dept.  
Brunel Road  
Earlstrees Industrial Estate  
Corby  
Northants  
NN17 4JW

1st Fold

2nd Fold