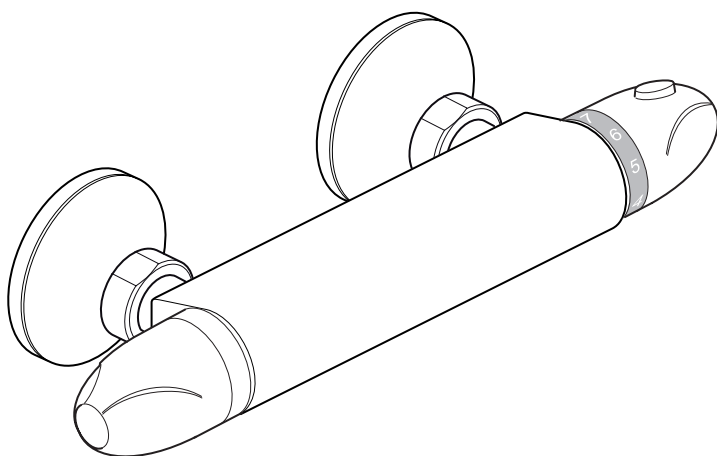


mira



Coda



MIRA CODA

THERMOSTATIC BAR VALVE

Installation & User Guide

These instructions must be left with the user.

CONTENTS

Introduction	3
Guarantee	3
Recommended Usage.....	3
Patents	3
Safety : Warnings	4
Pack Contents	5
Specifications	6
Pressures	6
Temperatures	6
Thermostatic Shut-down	6
Connections	6
Dimensions	7
Installation	7
Suitable Plumbing Systems.....	7
General.....	8
Solid Wall Installation	9
Stud Partition, Laminated Panel, or Unfixed Rear-entry Pipework Installation	11
Commissioning	13
Maximum Temperature Setting	13
Operation	14
Adjusting the Temperature	14
Adjusting the Flow	14
Maintenance	15
Fault Diagnosis.....	15
Lubricants.....	16
Cleaning	16
Maintaining the Non-Return Valves.....	16
Spare Parts	17
Accessories	19
Customer Service	20

INTRODUCTION

Thank you for purchasing a quality Mira product. To enjoy the full potential of your new product, please take time to read this guide thoroughly, having done so, keep it handy for future reference.

The Mira Coda thermostatic bar valve is a shower control designed for wall mount installations.

The thermostatic bar valve has two knobs, one knob controls the flow and the other knob controls the temperature.

The thermostatic bar valve incorporates a wax capsule temperature sensing unit, which provides an almost immediate response to changes in pressures or temperature of the incoming water supplies, to maintain the selected temperature. An adjustable maximum temperature stop is provided which limits the temperature to a safe level. Inlet filters are fitted to protect the thermostatic cartridge.

Guarantee

For **domestic installations**, Mira Showers guarantee the Mira Coda against any defect in materials or workmanship for a period of **five** years from the date of purchase (shower fittings for one year).

For **non-domestic installations**, Mira Showers guarantee the Mira Coda against any defect in materials or workmanship for a period of **one** year from the date of purchase.

For terms and conditions refer to the back cover of this guide.

Recommended Usage

Application	Valve with Fittings
Domestic	✓
Light Commercial	✓
Heavy Commercial	✗
Healthcare	✗

Patents

Patent	GB 2 407 138
--------	--------------

If you experience any difficulty with the installation or operation of your new Thermostatic Mixer, please refer to '**Fault Diagnosis**', before contacting Kohler Mira Ltd. Our contact details can be found on the back cover of this guide.

SAFETY : WARNINGS

The function of a thermostatic mixing valve is to deliver water consistently at a safe temperature. In keeping with every other mechanism, it cannot be considered as functionally infallible and as such, cannot totally replace a supervisor's vigilance where that is necessary. Provided it is installed, commissioned, operated and maintained within manufacturers recommendations, the risk of failure, if not eliminated, is reduced to the minimum achievable.

Mira thermostatic mixers are precision engineered and should give continued safe and controlled performance, provided:

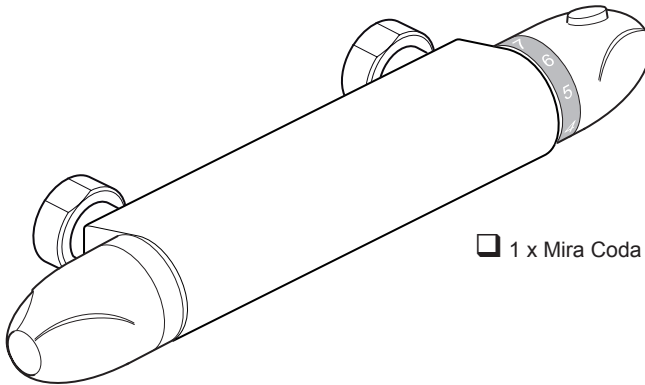
1. They are installed, commissioned, operated and maintained in accordance with the manufacturer's recommendations.
2. Periodic attention is given, when necessary, to maintain the product in good functional order.

Caution!

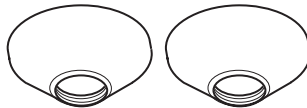
1. Read all of these instructions.
2. Retain this guide for later use.
3. Pass on this guide in the event of change of ownership of the installation site.
4. Follow all warnings, cautions and instructions contained in this guide.
5. Anyone who may have difficulty understanding or operating the controls of any shower should be attended whilst showering. Particular consideration should be given to the young, the elderly, the infirm or anyone inexperienced in the correct operation of the controls.
6. When this product has reached the end of its serviceable life, it should be disposed of in a safe manner, in accordance with current local authority recycling, or waste disposal policy.

PACK CONTENTS

Tick the appropriate boxes to familiarise yourself with the part names and to confirm that the parts are included.



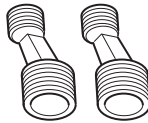
1 x Mira Coda Bar Valve



2 x Concealing Plates



2 x Washers / Filters



2 x Inlet Connectors



2 x Wall Mounting Brackets

Documentation

1 x Guarantee Registration Document

SPECIFICATIONS

Pressures

- Max Static Pressure: **10 Bar**.
- Max Maintained Pressure: **5 Bar**.
- Min Maintained Pressure: (Gas Water Heater): **1.0 Bar**. (for optimum performance supplies should be nominally equal.)
- Min Maintained Pressure (Gravity System): **0.1 Bar**. (0.1 bar = 1 Metre head from cold tank base to shower handset outlet.)

Temperatures

- Close temperature control is provided between **20°C and 50°C**.
- Optimum Thermostatic Control Range: **35°C to 45°C**. (achieved with supplies of 15°C cold, 65°C hot and nominally equal pressures.)
- Recommended Hot Supply: **60°C to 65°C**. (**Note!** The mixing valve can operate at temperatures up to 85°C for short periods without damage. However for safety reasons it is recommended that the maximum hot water temperature is limited to 65°C.)
- Minimum Differential between Hot Supply and Outlet Temperature: **10°C**.
- Cold Water Range: **5°C - 25°C**.

Thermostatic Shut-down

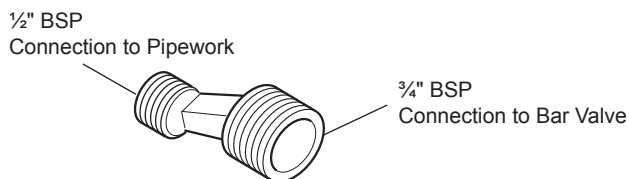
- For safety the thermostat will shut off the hot supply **within 2 Seconds** if the cold supply fails. (achieved only if the hot supply temperature is greater than 10°C above the set blend temperature.)

Connections

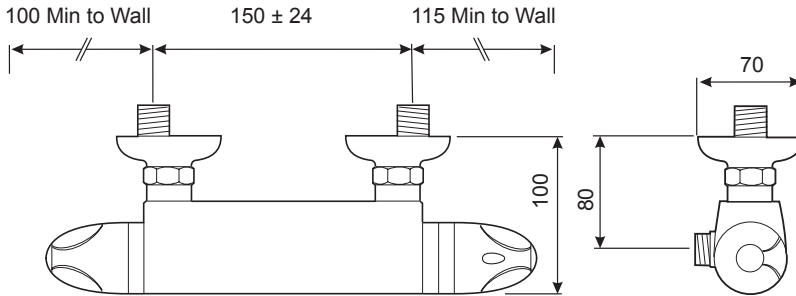
- **Hot: Left** (side nearest flow control), ½" BSP Male.
- **Cold: Right** (side nearest temperature control), ½" BSP Male.
- **Outlet: Bottom**, ½" BSP Male to flexible hose.

Note! This product does not allow for reversed inlets and will deliver unstable temperatures if fitted incorrectly.

Offset connector (inlet centres are 150 mm ± 24 mm).



DIMENSIONS



All dimensions in mm

INSTALLATION

Suitable Plumbing Systems

Gravity Fed:

The thermostatic mixer must be fed from a cold water cistern (usually fitted in the loft space) and a hot water cylinder (usually fitted in the airing cupboard) providing nominally equal pressures.

Gas Heated System:

The thermostatic mixer can be installed with a combination boiler.

Unvented Mains Pressure System:

The thermostatic mixer can be installed with an unvented, stored hot water system.

Mains Pressurised Instantaneous Hot Water System:

The thermostatic mixer can be installed with systems of this type with balanced pressures.

Pumped System:

The thermostatic mixer can be installed with an inlet pump (twin impeller). The pump must be installed on the floor next to the hot water cylinder.

General

Installation must be carried out in accordance with these instructions, and must be conducted by designated, qualified and competent personnel.

The installation must comply with the “Water Supply Regulations 1999 (Water Fittings)” or any particular regulations and practices, specified by the local water company or water undertakers.

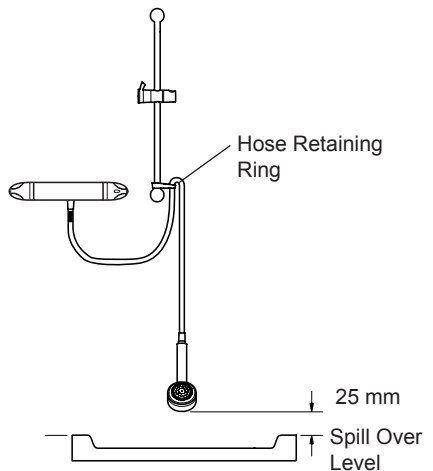
Note! Make sure that all site requirements correspond to the information given in section: ‘**Specifications**’.

1. The mixer must not be installed in an area where it may freeze.
2. For stud partitions alternative fixings may be required.
3. Isolating valves must be installed close to the mixer for ease of maintenance.
4. Pipework must be rigidly supported and avoid any strain on the connections.
5. Pipework dead-legs should be kept to a minimum.

6. Decide on a suitable position for the mixer. The position of the mixer and the shower fittings must provide a minimum gap of 25 mm between the spill-over level of the shower tray/bath and the handset (refer to illustration). This is to prevent back-siphonage.

Note! Only use shower fittings recommended by the manufacturer or supplier.

7. All pipework must be checked for leaks before the product installation is completed. The product should be pressurised and the inlet & outlet connections inspected.
8. **DO NOT** overtighten grubscrews as product damage may occur. Use hexagonal key provided and hand tighten only, do not use power tools.



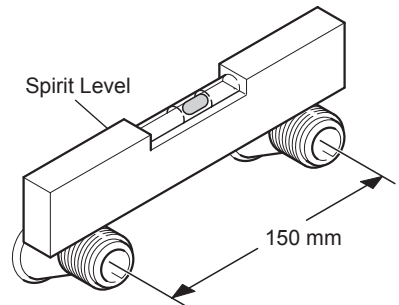
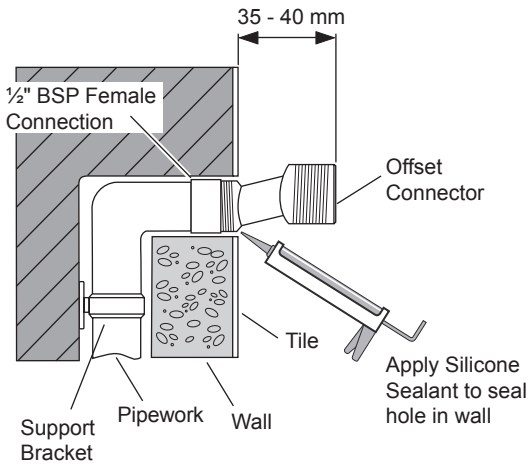
Solid Wall Installation

For solid wall installations the thermostatic bar valve can be supported by the pipework provided that it is securely fixed to the wall. Alternatively for unfixed rear entry pipework the wall mounting bracket can be used.

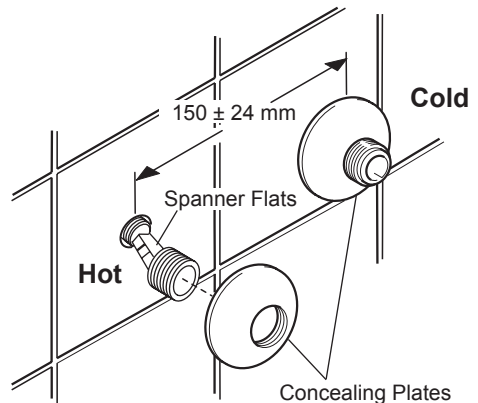
For installation onto a stud partition, laminated panel, or onto unfixed rear-entry pipework (using the wall mounting bracket) refer to section: '**Stud Partition, Laminated Panel, or Unfixed Rear-entry Pipework Installation**'.

1. Install the pipework, making sure that it is set at the correct distance apart (150 ± 24 mm) **and solidly fixed**.
2. Apply suitable thread sealant (not supplied) and attach the offset connectors to the pipework in the wall. The offset connectors must protrude between 35 and 40 mm from the finished wall.

Note! Connections are: **Hot-Left, Cold-Right**. This is very important as this product does not allow for reversed inlets.



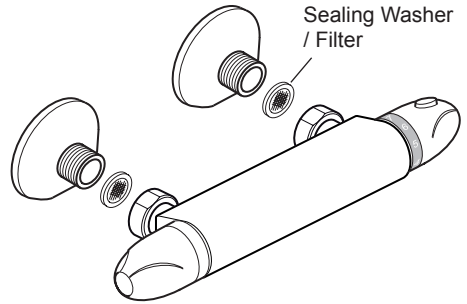
3. Tighten the offset connectors using a spanner on the spanner flats. Make sure that the connectors are level and set at the correct distance apart, using the bar valve as a guide to spacing.
4. Screw the concealing plates onto the offset connectors until they come into contact with the wall.



5. **Caution!** Make sure that the supply pipework is flushed before installing the bar valve.

Assemble the bar valve with a sealing washer/filter in each inlet and attach to the offset connectors.

Note! Connections are: **Hot-Left, Cold-Right**.

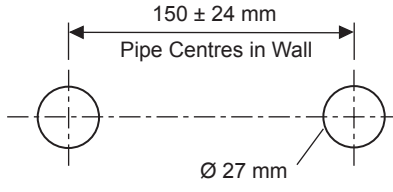


6. Tighten the connections using a suitable spanner.
7. Install the shower fittings (refer to your shower fittings installation and user guide).
8. Turn on the hot and cold water supplies and check for leaks.
9. Before using the shower, refer to section: '**Commissioning**'.

Stud Partition, Laminated Panel, or Unfixed Rear-entry Pipework Installation

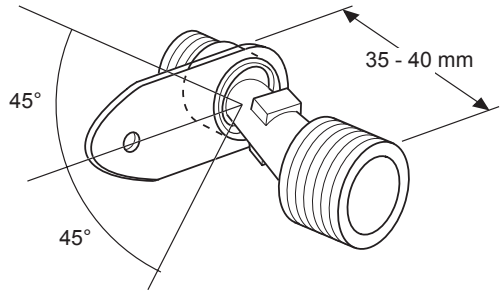
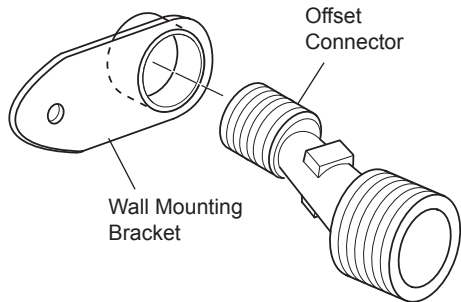
For all installations using the Wall Mounting Bracket:

1. Install the pipework, make sure that it is set at the correct distance apart (150 ± 24 mm) and solidly fixed.
2. Screw the mounting brackets onto the offset connectors.



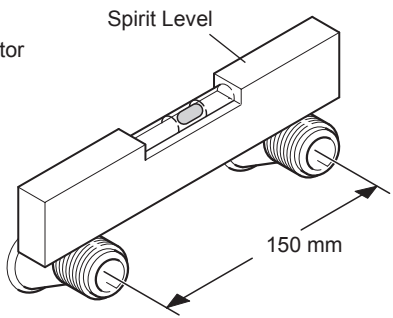
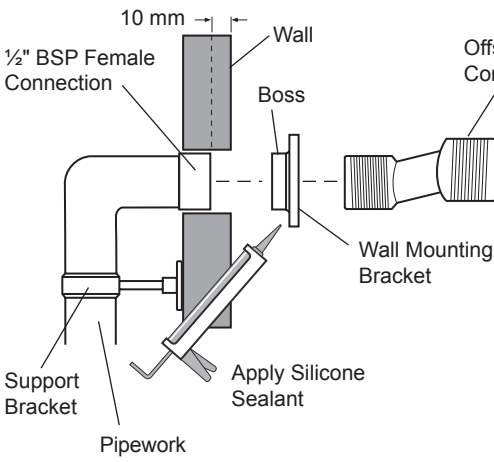
The offset connectors must protrude between 35 and 40 mm from the finished wall.

3. The mounting bracket must extend in the same direction as the offset of the offset connector. The angle between the offset connector and the mounting bracket must be less than 45° , otherwise the mounting bracket will not fit under the concealing plate.



4. The mounting bracket boss should protrude to the rear, facing the wall.
5. Apply suitable thread sealant (not supplied) and attach the offset connectors to the pipework in the wall.

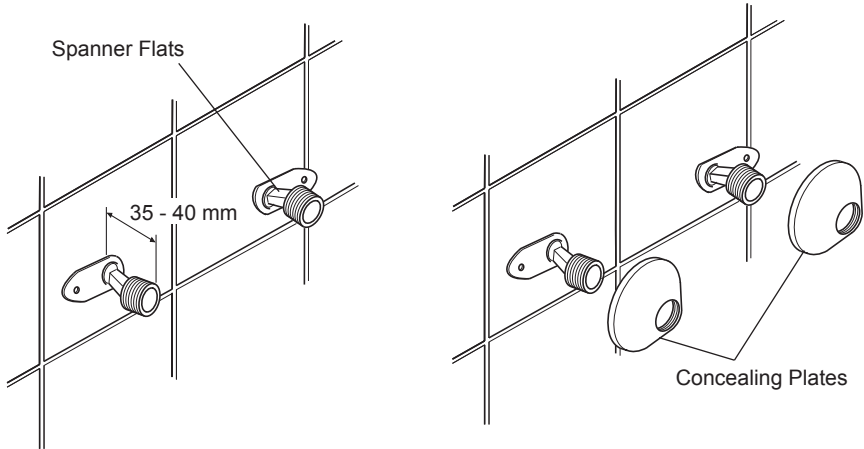
Note! Connections are: **Hot-Left, Cold-Right**. This is very important as this product does not allow for reversed inlets.



6. Tighten the offset connectors using a spanner on the spanner flats. Make sure that the connectors are level and set at the correct distance apart, using the bar valve as a guide to spacing.
7. Fix the mounting bracket to the wall through the small hole, using the appropriate wall fixings for the type of wall (not supplied).

Caution! Take care not to drill through any concealed pipework.

8. Screw the concealing plates onto the offset connectors until they come into contact with the wall.

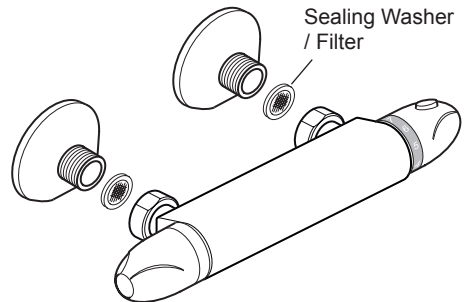


9. **Caution!** Make sure that the supply pipework is flushed before installing the bar valve.

Assemble the bar valve with a sealing washer/filter in each inlet and attach to the offset connectors.

Note! Connections are: **Hot-Left, Cold-Right**.

10. Tighten the connection using a 20 mm spanner.
11. Install the shower fittings (refer to your shower fittings installation and user guide).
12. Turn on the hot and cold water supplies and check for leaks.
13. Before using the shower, refer to section: '**Commissioning**'.



COMMISSIONING

Maximum Temperature Setting

Before using the shower, the maximum temperature must be checked to make sure that it is at a safe level. It has been preset to a safe showering temperature under ideal conditions at the factory, appropriate for most systems. However, site conditions and personal preference may make it necessary to reset this temperature.

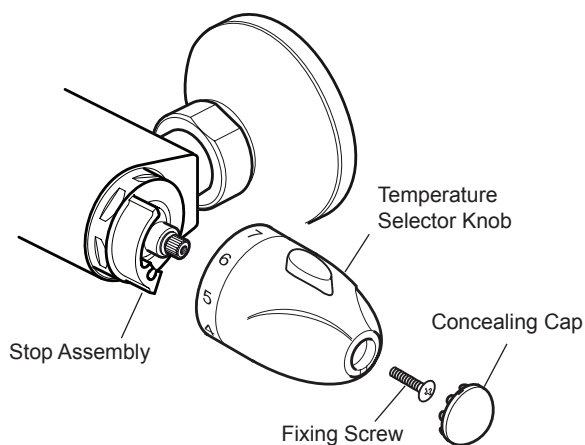
Note! Make sure that the hot water temperature is at least 55°C and that there is sufficient supply.

Caution! Before testing the mixer, make sure that the hot and cold water is flowing correctly by exercising the temperature selector knob between the cold and hot stops.

1. Turn the temperature selector knob to position 7 and test that the temperature of the water from the shower outlet is hot enough.
2. If not, depress the override button and **carefully** rotate towards position 9. If the water temperature is still not hot enough complete the following procedure.
3. Rotate the temperature selector knob back to position 7.
4. Using a suitable screwdriver carefully pry off the concealing cap and unscrew the fixing screw.
5. Pull off the temperature selector knob without disturbing the stop assembly.
6. Replace the temperature selector knob so that the 6 mark is in line with the stop assembly.
7. Rotate the temperature selector knob to position 7, wait for the water to stabilise and test that the temperature of the water from the shower outlet is hot enough.

If the water temperature is still not hot enough repeat the procedure until a maximum safe temperature is achieved at position 9.

8. Refit and tighten the fixing screw, refit the concealing cap.



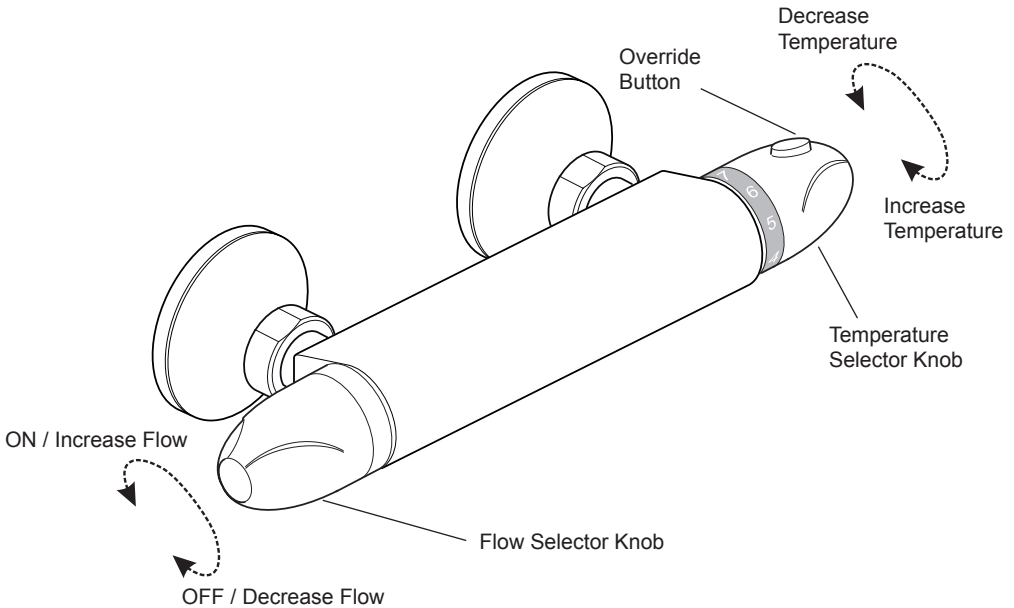
OPERATION

Adjusting the Temperature

The temperature is controlled by rotating the temperature selector knob. For safety reasons, the temperature is limited by an override stop. To obtain a higher temperature, press the override button on the temperature selector knob and continue to rotate the knob.

Adjusting the Flow

The flow is controlled by rotating the flow selector knob.



MAINTENANCE

Fault Diagnosis

If you require a Mira trained service engineer or agent, refer to section: '**Customer Services**'.

Symptom	Cause / Rectification
Only hot or cold water from the mixer outlet.	Inlets reversed (hot supply to cold supply). Rework inlet pipework.
Outlet temperature too hot / too cold.	No hot or cold water reaching the mixer. Check the filters for any blockage. Installation conditions outside operating parameters, refer to sections: ' Specifications ' and ' Commissioning '.
Fluctuating or reduced flow.	Check the shower handset, hose and filters for any blockage. Make sure that the maintained inlet pressures are nominally balanced and sufficient, refer to section: ' Specifications '. Make sure that the inlet temperature differentials are sufficient, refer to section: 'Specifications'. Air lock or partial blockage in the pipework.
Water leaking from shower handset.	Normal for a short period after shut off. Check that the pressures are not in excess of the specifications for the product. Cartridge inlet seals damaged, renew. Renew the flow cartridge.

Lubricants

Silicone based lubricants must only be used on the rubber seals.

Caution! Oil based or other lubricant types may cause rapid deterioration of seals.

Cleaning

The chrome plated parts should be cleaned using a mild washing up detergent or soap solution, rinsed and then wiped dry with a soft cloth.

Warning! Many household cleaners contain abrasive and chemical substances, and should not be used for cleaning plated or plastic fittings.

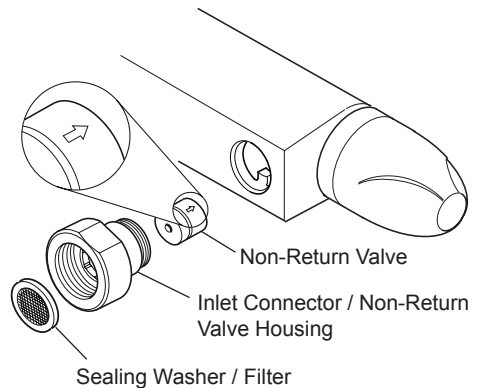
Do not use descalents on this product.

Maintaining the Non-Return Valves

The non-return valves are located in the thermostatic bar valve body, and are accessible through the inlet connectors.

Caution! Make sure that the non-return valves are installed correctly to prevent crossflow or malfunction of the valve.

1. With the water supplies turned off and the thermostatic bar valve removed, remove the sealing washer / filter.
2. Unscrew the non-return valve housing using a 12 mm hexagonal wrench.
Note! The non-return valve housing has a **Left Hand Thread**, turn clockwise to unscrew.
3. Carefully remove the non-return valve and clean any debris.
4. On re assembly make sure that the non-return valve is fitted the correct way round (with the arrow indicating the flow pointing towards the valve).

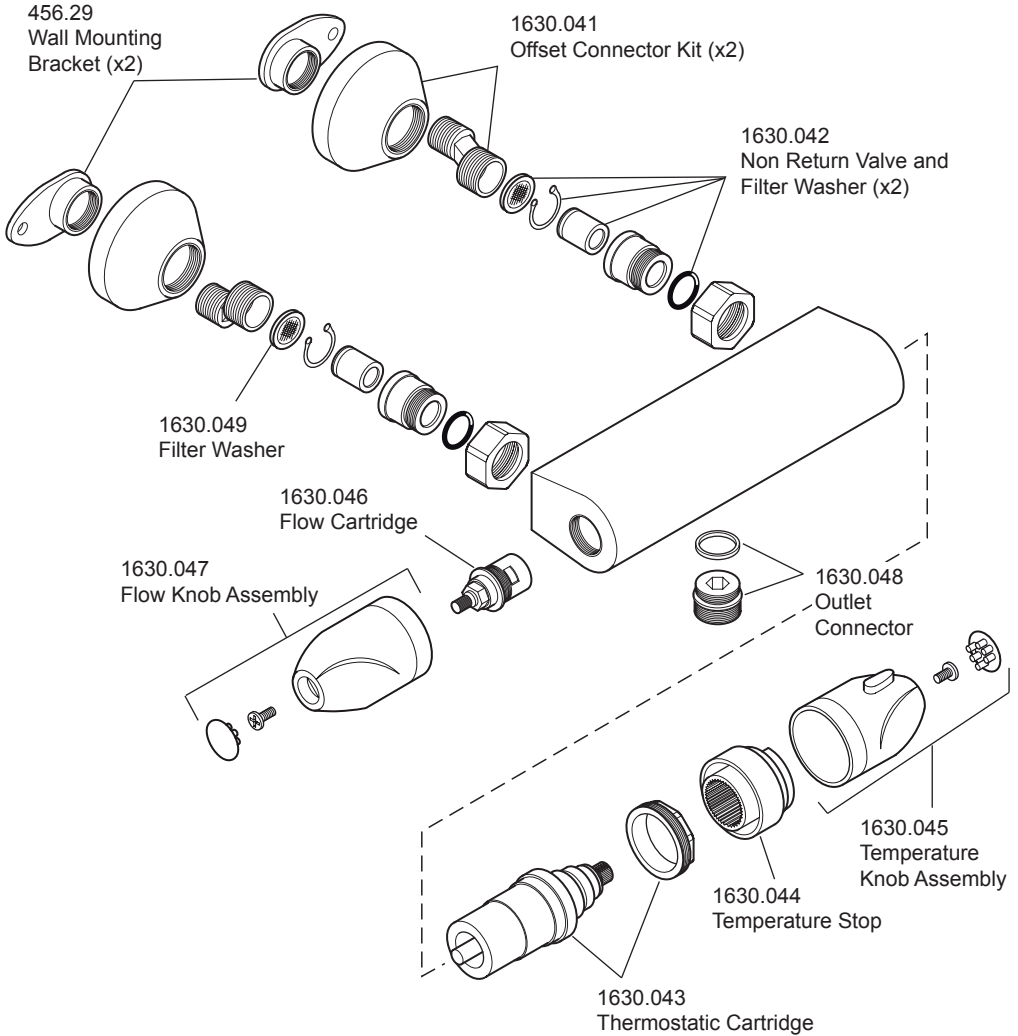


Filters

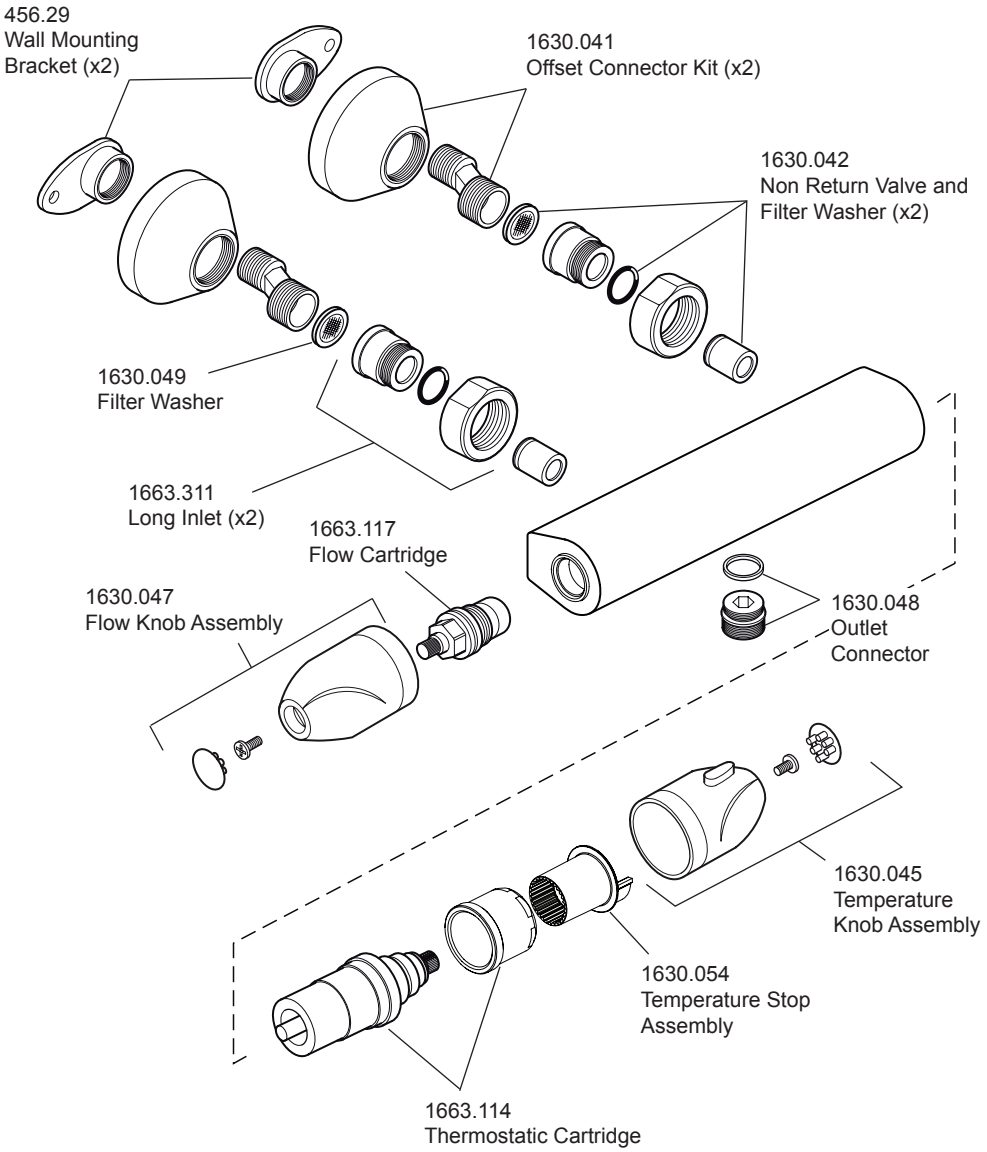
The sealing washers / filters are located in the inlet connector. Clean or renew as necessary.

SPARE PARTS

The spare parts listed below are for Mira Coda Thermostatic Bar Valves manufactured between August 2006 and May 2008.

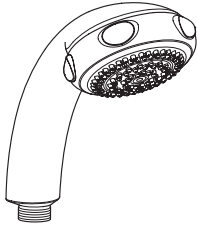


The spare parts listed below are for Mira Coda Thermostatic Bar Valves manufactured from May 2008.



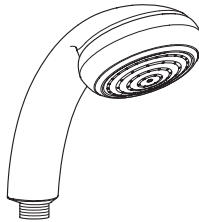
ACCESSORIES

Genuine Mira accessories can be purchased direct from Customers Services (our contact details can be found on the back cover of this guide) or from approved stockists or merchants.



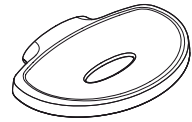
Eco Showerhead
White - 2.1668.001
Chrome - 2.1668.002

The Eco shower head gives you an invigorating shower, but reduces water consumption and heating costs.



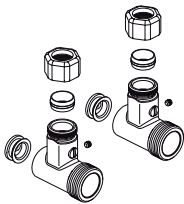
Everclear Showerhead
White - 2.1616.030
Chrome - 2.1616.031

Mira's new Everclear range has been specially designed for hard water areas and reduces the risk of lime scale build up.



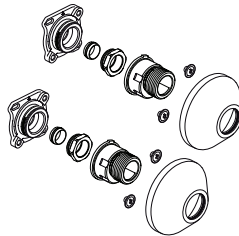
Wall Mounted Soap Dish
White - 1.1540.278
Chrome - 1.1540.279

Wall mounted for use anywhere in, or outside the showering area.



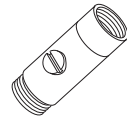
Mira Bar Valve Fixing Elbows
Chrome - 2.1712.002

Designed to allow any bar valve with 3/4" female connections to be easily installed onto exposed, rising or falling inlet supply pipework.



Bar Valve Fixing Kit
Chrome - 2.1663.017

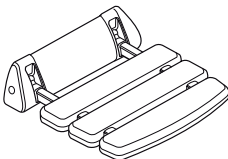
A fixing kit designed to make the installation of bar valves easier and more secure than traditional 'Z' connectors.



Double Outlet Check Valve (DCV-H)

Chrome - 1.0.110.55.1

An outlet double check valve, designed to prevent the back flow or back-siphonage of potentially contaminated water, through shower controls which are fitted with a flexible shower hose as part of the outlet shower fitting.



Shower Seat
White - 2.1536.128
White/Chrome - 2.1536.129

For use in or out of the showering area. Folds up when not in use. Maximum User Weight - 127 kg (20 stone) **Note!** Must be installed onto a solid wall.



Premium Shower Seat
White/Chrome - 2.1731.001
Grey/Chrome - 2.1731.002

Stylish, slim-line and robust shower seat for use in or outside of the shower area. Folds up when not in use. Maximum User Weight - 150 kg (23.5 stone) **Note!** Must be installed onto a solid wall.

CUSTOMER SERVICE

Guarantee

Your product has the benefit of our manufacturer's guarantee which starts from the date of purchase.

To activate this guarantee, please return your completed registration card, visit our website or free phone 0800 0731248 within 30 days of purchase (UK only).

Within the guarantee period we will resolve defects in materials or workmanship, free of charge, by repairing or replacing parts or product as we may choose.

This guarantee is in addition to your statutory rights and is subject to the following conditions:

- The product must be installed and maintained in accordance with the instructions given in this user guide.
- Servicing must only be undertaken by us or our appointed representative. **Note!** if a service visit is required the product must be fully installed and connected to services.
- Repair under this guarantee does not extend the original expiry date. The guarantee on any replacement parts or product ends at the original expiry date.
- For shower fittings or consumable items we reserve the right to supply replacement parts only.

The guarantee does not cover:

- Call out charges for non product faults (such as damage or performance issues arising from incorrect installation, improper use, lack of maintenance, build up of limescale, frost damage, corrosion, system debris or blocked filters) or where no fault has been found with the product.
- Water or electrical supply, waste and isolation issues.
- Compensation for loss of use of the product or consequential loss of any kind.
- Damage or defects caused if the product is repaired or modified by persons not authorised by us or our appointed representative.
- Routine maintenance or replacement parts to comply with the requirements of the TMV 2 or TMV 3 healthcare schemes.

What to do if something goes wrong

If your product does not function correctly when you first use it, contact your installer to check that it is installed and commissioned in accordance with the instructions in this manual.

Should this not resolve the issue, contact our Customer Services Team who will offer you or your installer advice and if applicable arrange for a Service Technician to call.

If the performance of your product declines, check in this manual to see if simple home maintenance is required. If you require further assistance call our Customer Services Team.

Extended Guarantees

A selection of protection plans are available that enable you to cover repair bills for the life of your policy (excludes Eire). Ring 01922 471763 for more details.

Helpdesk Service

Our dedicated Customer Services Team is comprehensively trained and can offer help and advice, spare parts, accessories or a service visit. We will need you to have your model name or number, power rating (if applicable) and date of purchase. As part of our quality and training programme calls may be recorded or monitored.

Mira Showers Website (www.mirashowers.co.uk)

From our website you can register your guarantee, download additional user guides, diagnose faults, purchase our full range of accessories and popular spares, refer to our FAQ's and request a service visit.

Spares and Accessories

We maintain extensive stocks of genuine spares and accessories and aim to provide support throughout the product's expected life. Payment can be made by phone at time of order using most major Credit or Debit cards and we aim to despatch orders within two working days. Items purchased from us are guaranteed for 12 months from date of purchase. For safety reasons spares exposed to mains voltages should only be fitted by competent persons.

Returns – items can be returned within one month of date of purchase, providing that they are in good condition and the packaging is unopened. Please obtain authorisation from our Customer Services Team before return. We reserve the right to apply a 15% restocking charge.

Service / Repairs

We have a nationwide team of Service Technicians who can carry out all service or repair work to your product within the guarantee period and beyond. You have the assurance of a fully trained Mira Technician, genuine Mira spare parts and a 12 month guarantee on any chargeable work done.

Payment should be made directly to the Service Technician who will accept most major Credit or Debit cards.

To Contact Us

UK

Telephone: 0844 571 5000

Mon to Fri 8:00 am - 5:30 pm, Sat 8:30 am - 3:30 pm

E-mail: technical@mirashowers.com

Fax: 01242 282595

By Post: Mira Customer Services Dept, Cromwell Road, Cheltenham, Gloucestershire, GL52 5EP

Eire

Telephone: 01 459 1344

Mon to Fri 9:00 am - 5:00 pm

E-mail: sales@modernplant.ie

Fax: Dublin 01 459 2329

By Post: Modern Plant Ltd (Dublin), Otter House, Naas Road, Clondalkin, Dublin 22

Mira is a registered trade mark of
Kohler Mira Limited.

The company reserves the right to alter
product specifications without notice.



FM 14648

mira
SHOWERS