

## Two advanced products from the most celebrated name in water heating.

No name in water heating is more widely celebrated than Main. With an outstanding reputation for safety, reliability, efficiency and ease of use, it's little wonder so many people have warmed to them over the years.



And now, the range is even more of a hot favourite. Thanks to their sleek and refreshingly modern designs, our advanced Balanced Flue (BF) and Fan Flue (FF) models are ideal for small homeowners with a big

demand for hot water. Besides eliminating the need for a hot water cylinder, the FF offers siting flexibility through a versatile range of flueing options and can be located away from the outside wall.



Even in low water pressure areas, both models are equally at home when it comes to meeting your domestic needs. And because they only heat the water you use, they're extremely hot on efficiency and saving money too.



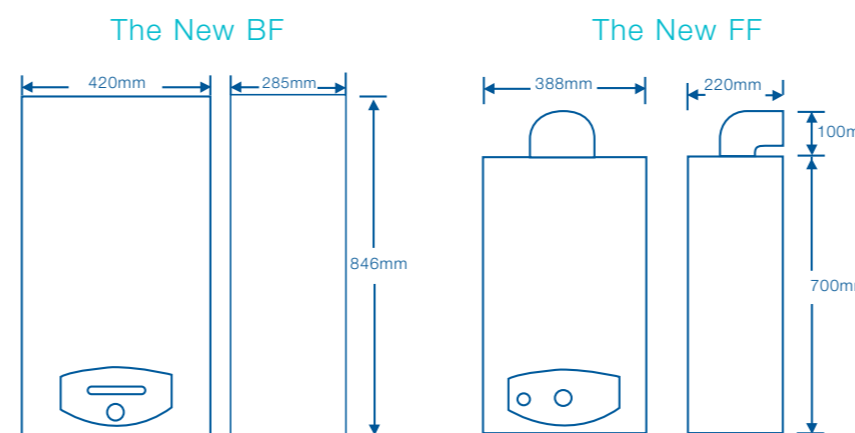
### Water Heating Specifications

Feature	Balanced Flue Model	Fan Flue Model
Model name	Multipoint BF	Multipoint FF
Gas type	Natural	Natural
Min service clearance above	30mm	120mm (Includes flue elbow)
Min service clearance sides	5mm	10mm
Min service clearance below	75mm	50mm
Max DHW flow rate (Delta T @ 30°C max)	10.8 l/min	11.7 l/min
Max DHW flow rate (Delta T @ 35°C max)	9.3 l/min	10 l/min
Max DHW flow rate (Delta T @ 50°C max)	6.5 l/min	7 l/min
Min operating DHW pressure required	0.2 bar	0.3 bar
Max DHW system pressure	12 bar	12 bar
Minimum flow rate required	2.5 l/min	3 l/min
Heat input (net)	25.5kW	27kW
Heat output to water	23kW	23.8kW
Electrical connection	None	230V fused UK plug
Gas connection pipe size	15mm	15mm
Water connection pipe size	15mm	15mm
Flue lengths	Telescopic (100mm - 610mm) using 4 terminals	Telescopic (to 680mm) using 2 terminals. Extensions to 4m horizontal or vertical
Installer lift weight	20kg	20kg
IP rating	N/A	IPX4D



**BAXI POTTERTON**  
 A Trading Division of Baxi Heating UK Ltd  
 Brownedge Road  
 Bamber Bridge  
 Preston  
 Lancashire PR5 6UP  
 Tel +44(0) 08706 060 780  
 Website [www.baxipotterton.co.uk](http://www.baxipotterton.co.uk)

A BAXI GROUP company



All descriptions and illustrations provided in this leaflet have been carefully prepared but we reserve the right to make changes and improvements to our products, which may affect the accuracy of the information contained in this leaflet. This does not affect your statutory rights.

MAIN/5112285/04/V1

Water Heaters



Looking for a more **advanced** water heating solution?  
 It's time to crack open the **bubbly**.



Both models are suitable for:



Baths.



Washing machines & dishwashers.



Bathroom & kitchen sinks.



Showers.



### Balanced Flue (BF).

- Hot water on demand 24 hours a day.
- Space saving – no storage cylinder.
- Modern room sealed design.
- Overheat protection device.
- Fits existing main flue terminal for replacement installations (for dimensions see table on back of this brochure).
- Piezo Spark Igniter – no electricity or batteries required.
- Flues available for 100mm – 610mm wall thickness.
- Simple three pipe connection with isolation valves.
- User selectable temperature control.

### Fan Flue (FF).

- Hot water on demand 24 hours a day.
- Space saving – no storage cylinder.
- Modern room sealed design.
- Overheat protection device.
- Pre-wired with standard UK plug.
- Flexible flueing options to 4m horizontal or vertical.
- Simple three pipe connection with isolation valves.
- No standby losses – gas ignited only on demand for hot water.
- User selectable thermostatic temperature control.

## Technical Flue Guide

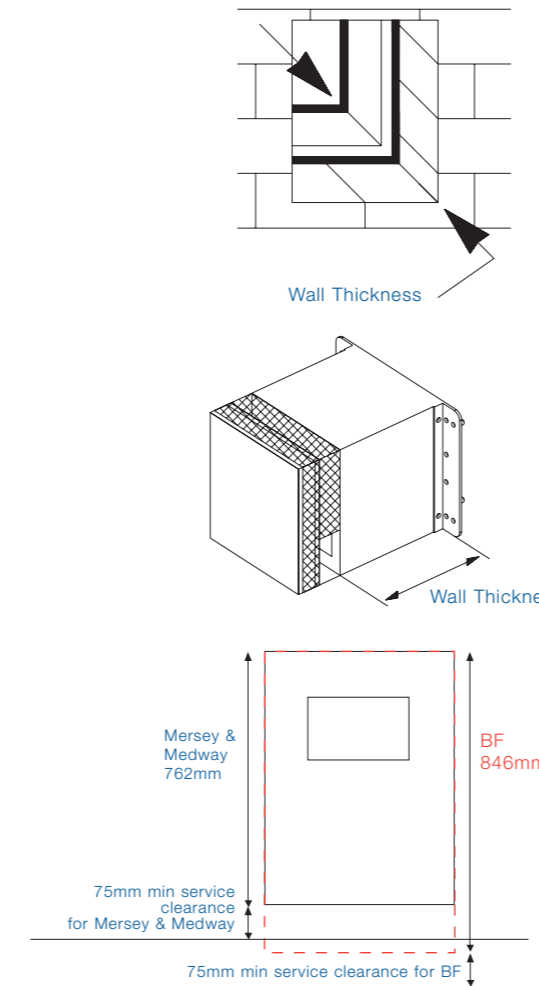
### Flue Options BF Appliance

Telescopic flue available in four length options to suit wall thickness from 100mm to 610mm.

	Sales Code
Min. length 100mm (4 in.) Max. length 150mm (6 in.)	31/10321
Min. length 150mm (6 in.) Max. length 230mm (9 in.)	31/10322
Min. length 230mm (9 in.) Max. length 380mm (15 in.)	31/10323
Min. length 380mm (15 in.) Max. length 610mm (24 in.)	31/10324

The appliance may be mounted on a suitable existing terminal as above, provided the requirements of the building regulations are maintained.

If replacing a Mersey, Medway or Thames with a new BF using same flue position, check minimum service clearance. See diagram.



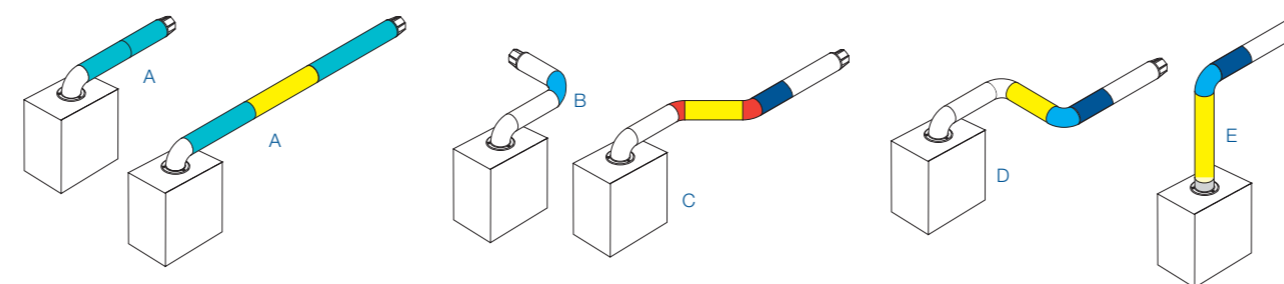
### Flue Options FF Appliance

#### General Principles

Flue systems must be constructed using the Baxi Potterton accessories approved for the particular product and installed in accordance with BS 5440 Part 1 – Flues.

This information is for guidance only and is not a substitute for installation instructions, copies of which come with the product and are available on request.

Note: These are general illustrations only, detail of actual components will vary. For clarity, on occasions items may have been labelled once only.



### Key Accessories

Key Accessories	Size	Code
<b>Concentric Horizontal Flue Arrangement</b>		
Standard Horizontal Flue Kit	490mm	430183
Horizontal Flue Kit (long)	680mm	430184
Flue Extension	1m	B4286
90° Bend Kit		31/19034
135° Bend Kit		31/19035
Telescopic Flue Elbow Adaptor		430174
Vertical Adaptor		238014

### Concentric Vertical Flue Arrangement

*Concentric Vertical Flue Kit	238015
-------------------------------	--------

### Flue Accessories

Flat roof flashing kit	31/19040
Pitched roof flashing kit	31/19041
Wall liner/internal flue fixing kit (horizontal only)	238012
100mm pipe support	241105
Terminal guard	205792
Wall plate pack	238013

## Flue Options

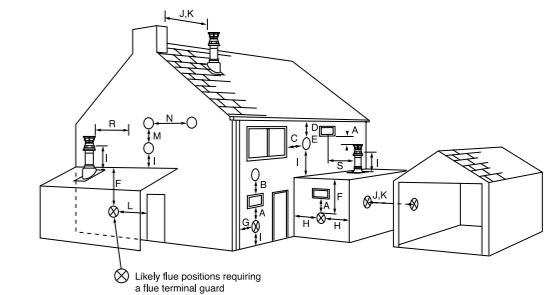
### Horizontal Configuration

	Flue length
A White flue elbow only – no additional bends	4.0m Max
B White flue elbow + 1 x 90 degree bend	2.2m Max
C White flue elbow + 2 x 45 degree bends	2.5m Max
D White flue elbow + 2 x 90 degree bends	1.8m Max
E Direct vertical rise from the appliance: Vertical adaptor + 1 x 90 degree bend	3.5m Max

### Vertical Configuration

F No additional bends Straight vertical	4.0m Max
G 2 x 45 degree bends	4.0m Max
H 2 x 90 degree bend	4.0m Max

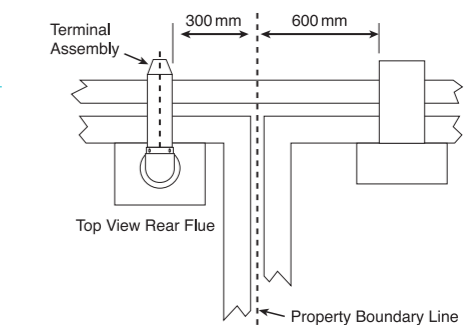
## Minimum Clearances



Flues - minimum distance to edge of terminal (mm)

	BF	FF
A <sup>a</sup> Directly below an opening, air brick, opening windows, etc.	1500	300
B <sup>a</sup> Above an opening, air brick, opening window etc.	300	300
C <sup>a</sup> Horizontally to an opening, air brick, opening window etc.	600	300
D Below gutters, soil pipes or drain pipes	300	75
E Below eaves	300	200
F Below balconies or carport roof	600	200
G From a vertical drain pipe or soil pipe	300	150
H From an internal or external corner	600	300
I Above ground, roof or balcony	300	300
J From a surface facing a terminal	600	600
K From a terminal facing a terminal	600	1200
L From an opening in carport (e.g. door, window) into the dwelling	1200	1200
M Vertically from a terminal on the same wall	1500	1500
N Horizontally from a terminal on the same wall	300	300
R From adjacent wall to flue (vertical only)	N/A	300
S From an adjacent opening window (vertical only)	N/A	1000

<sup>a</sup> In addition, the terminal should be no nearer than 150mm to an opening in the building fabric formed for the purpose of accommodating a built-in element such as a window frame. See BS 5440 Pt.1.



**NOTE:**  
The distance from a terminal installed parallel to a boundary may not be less than 300mm for an FF and 600mm for a BF flue in accordance with the diagram opposite.

Please refer to the latest regulations in force for confirmation and full details of flue installation.