

MECHANICAL TIMER, 24 HOUR FITTING INSTRUCTIONS

This Timer is suitable for installation on the following products:

Logic Combi 24.....G.C. No. 47-348-56
Logic Combi 30.....G.C. No. 47-348-57
Logic Combi 35.....G.C. No. 47-348-58
Logic + Combi 24G.C. No. 47-348-65
Logic + Combi 30G.C. No. 47-348-66
Logic + Combi 35G.C. No. 47-348-67

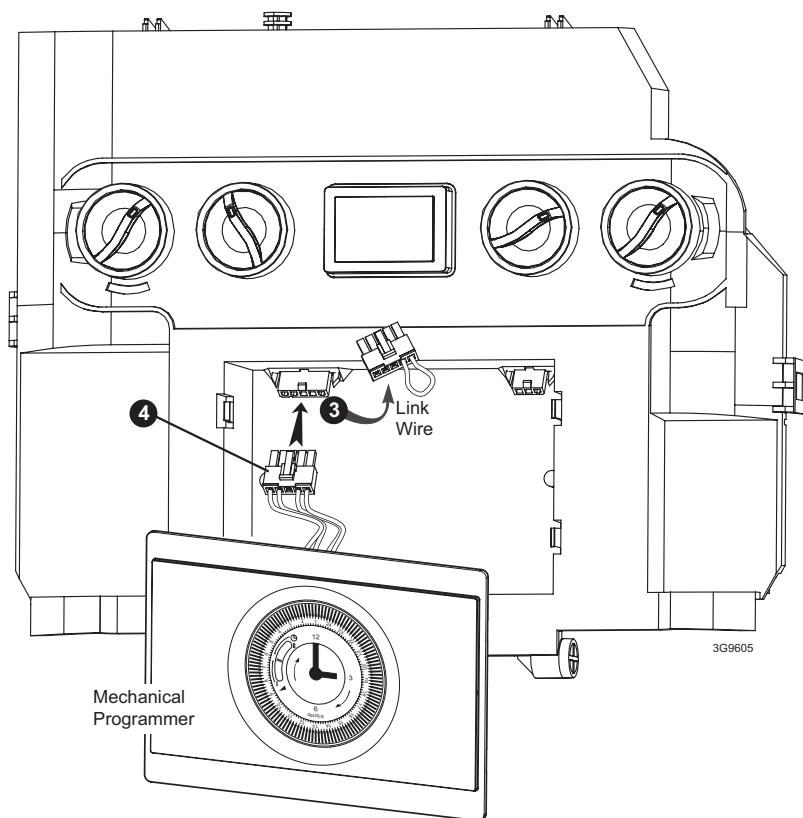
Logic Code Combi 26.....G.C. No. 47-348-74
Logic Code Combi 33.....G.C. No. 47-348-75
Logic Code Combi 38.....G.C. No. 47-348-76
i-mini 24.....G.C. No. 47-348-77
i-mini 30.....G.C. No. 47-348-78



ALWAYS switch off and disconnect the electricity supply to the appliance before installing the mechanical timer. Merely switching the boiler OFF/SUMMER/WINTER/RESET switch to 'OFF' will still leave a live feed to the boiler.

INSTALLING THE MECHANICAL TIMER

1. Remove the boiler front panel. (Refer to Installation & Servicing Instructions).
2. Pull out the blanking plate and discard.
3. Remove the link wire & discard.
4. Connect the electrical plug as shown.
5. Push fit mechanical timer into housing.
6. Replace the front panel ensuring a good seal is made.
7. Power up the boiler and check for correct operation.
8. To program refer to the user guide supplied with the timer.



Ideal Boilers Ltd. , P.O. Box 103, National Avenue, Kingston upon Hull, HU5 4JN.
Telephone: 01482 492 251 Fax: 01482 448 858. Registration No. London 322 137.

February 2011 UIN 204809 A05



Ideal Stelrad Group

Ideal Stelrad Group pursues a policy of continuing improvement in the design and performance of its products. The right is therefore reserved to vary specification without notice.