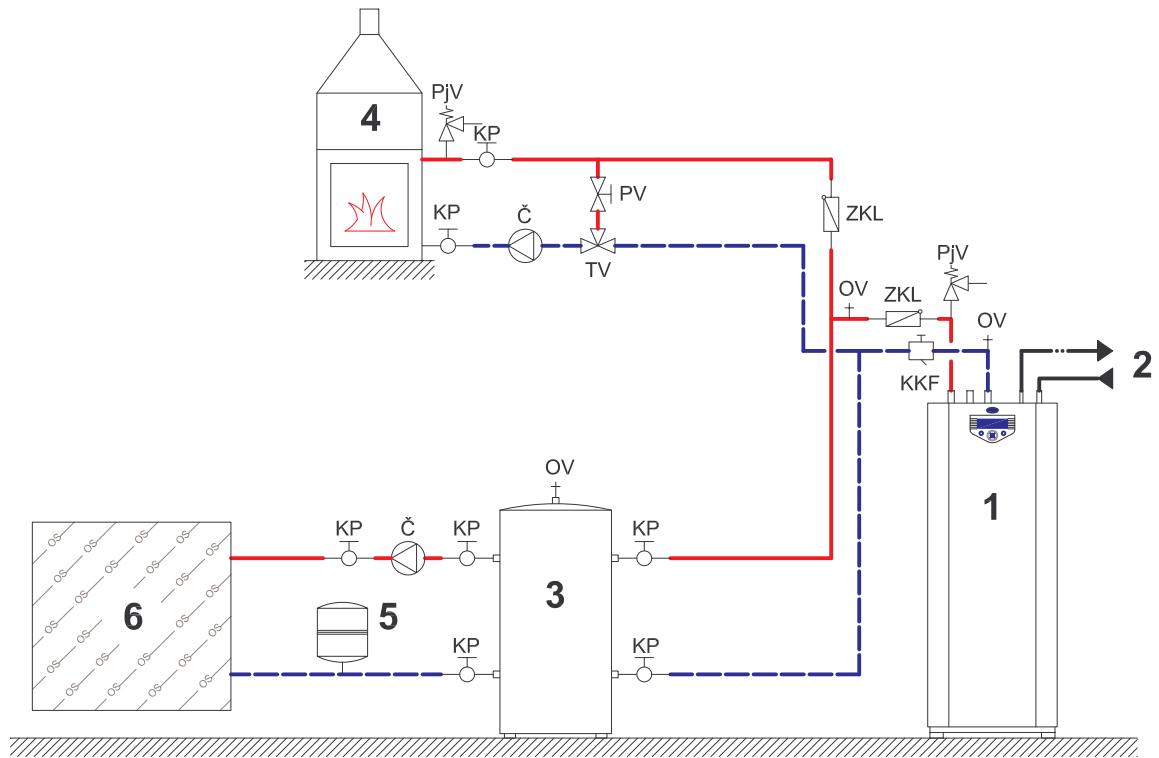


## HEAT PUMP IN CONNECTION WITH SOLID FUEL BURNER



### LEGEND :

1. HEAT PUMP - INTERNAL PART
2. PRIMARY CIRCUIT PIPES
3. BUFFER TANK
4. SOLID FUEL BURNER
5. EXPANSION VESSEL
6. HEATING SYSTEM

### LEGEND OF PIPES :

- FLOW WATER
- - - RETURN WATER
- PIPES OF PRIMARY CIRCUIT

### LEGEND OF FITTINGS :

- Č - CIRCULATION PUMP
- KKF - VALVE WITH FILTER
- KP - VALVE
- OV - AIR-VENT VALVE
- PjV - PRESSURE SAFETY VALVE
- PV - VALVE
- TV - THREE WAY VALVE
- ZKL - NON RETURN VALVE