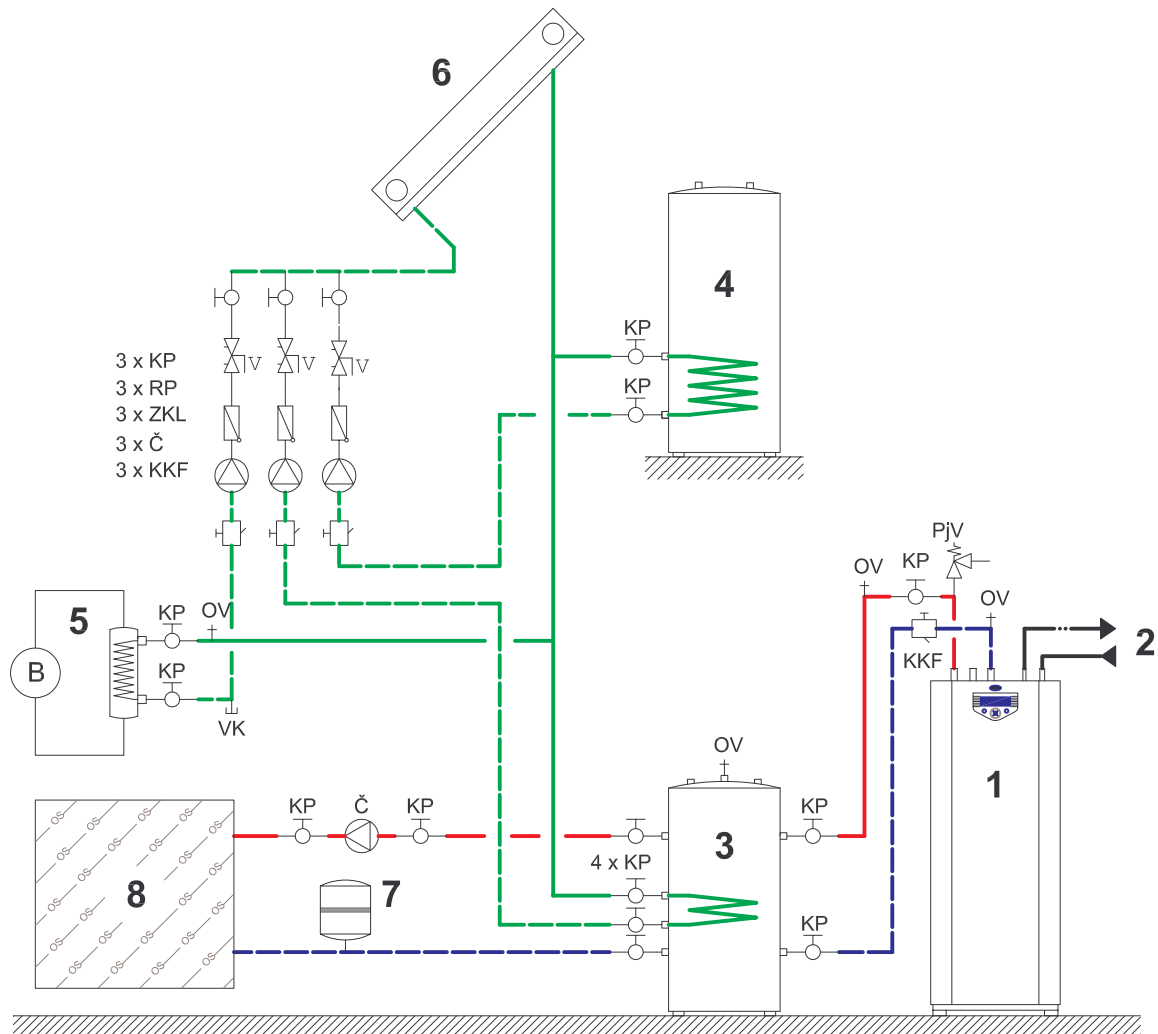


## HEAT PUMP IN CONNECTION WITH SOLAR SYSTEM



### LEGEND :

1. HEAT SYSTEM - INTERNAL PART
2. PRIMARY CIRCUIT PIPES
3. BUFFER TANK
4. CYLINDER
5. SWIMMING POOL HEAT EXCHANGER
6. SOLAR COLLECTOR
7. EXPANSION VESSEL
8. HEATING SYSTEM

### LEGEND OF FITTINGS:

- |     |                         |
|-----|-------------------------|
| Č   | - CIRCULATION PUMP      |
| KKF | - VALVE WITH FILTER     |
| KP  | - VALVE                 |
| OV  | - AIR-VENT VALVE        |
| PjV | - PRESSURE SAFETY VALVE |
| RP  | - FLOW REGULATOR        |
| VK  | - DISCHARGE VALVE       |
| ZKL | - NON RETURN VALVE      |

### LEGEND OF PIPES :

- |  |                          |
|--|--------------------------|
| <span style="color: red;">—</span>       | FLOW WATER               |
| <span style="color: blue;">- - -</span>  | RETURN WATER             |
| <span style="color: black;">- - -</span> | PIPES OF PRIMARY CIRCUIT |
| <span style="color: green;">—</span>     | FLOW WATER - SOLAR       |
| <span style="color: green;">- - -</span> | RETURN WATER - SOLAR     |