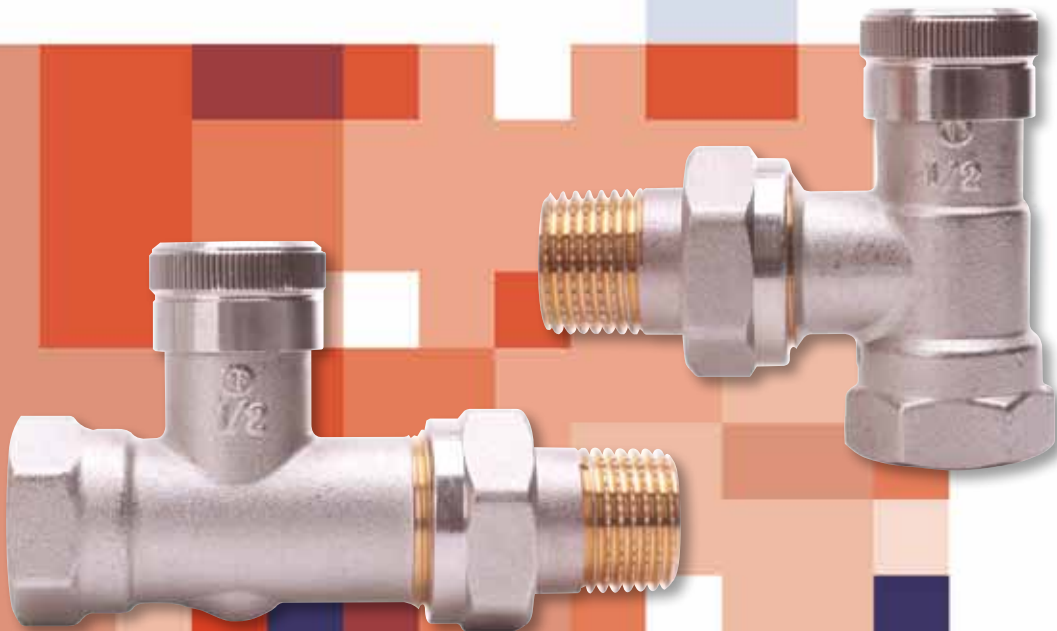


## Commercial Lockshields



Completing its TRV offering these lockshields are designed for use in commercial applications or iron-pipe applications.

Superior mechanical strength in standard dimensions.

Full range of matching TRV valves and heads for commercial iron-pipe applications.



## Commercial Lockshields

### Features:

- Superior mechanical strength in standard D-Series valve dimensions
- Conforms to BS2767 and CEN EN215
- Satin-nickel finish to match EB valves
- 3/8" versions available on demand

## Technical data

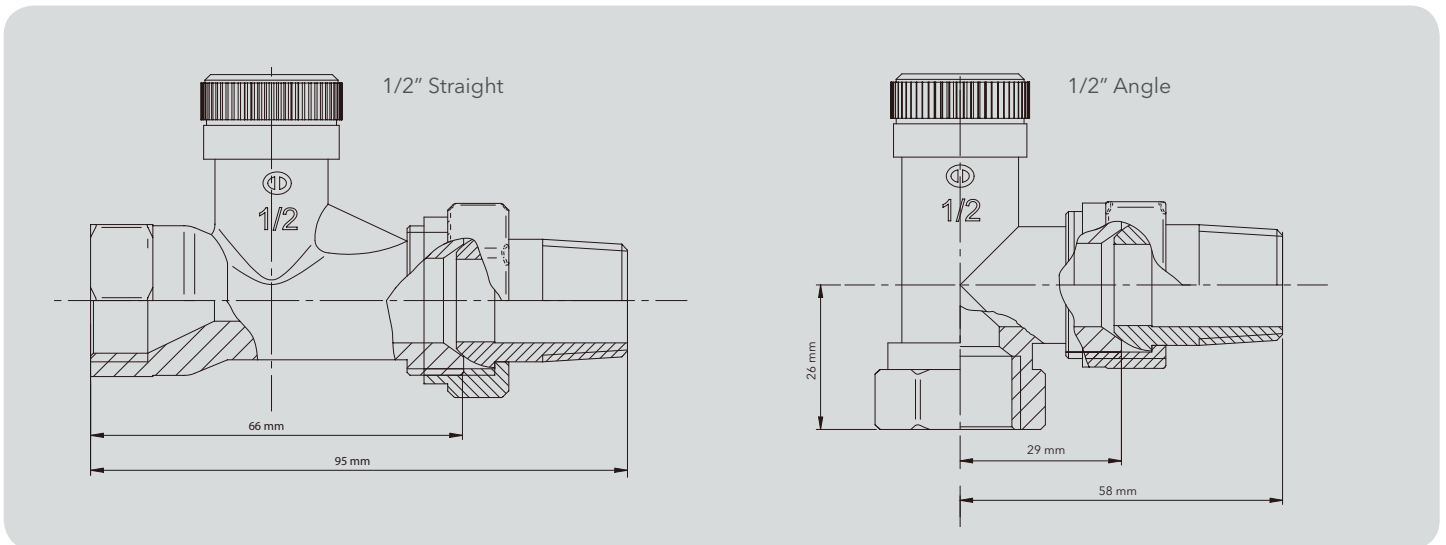
Lockshields with manual adjustment via allen key

Finish:	Satin Nickel plated, EN12540
Maximum working pressure:	10 bar
Test Pressure:	16 bar
Maximum ambient temperature:	50°C
Maximum flow water temperature:	120°C

### Flow Rates:

Type	Prod. No.	Connections		Flow Limitation: Kv-values (m <sup>3</sup> /h) for number of turns											
		Sys.	Rad.	0.25	0.50	0.75	1.00	1.50	2.00	2.50	3.00	3.50	4.00	Kvs	
DN 15 ang.	08 08 920	1/2	1/2	0.2	0.4	0.5	0.65	1	1.3	1.7	1.9	2.1	2.3	2.5	
DN 15 Str.	08 08 921	1/2	1/2	0.2	0.4	0.5	0.65	1	1.3	1.7	1.9	2.1	2.3	2.5	

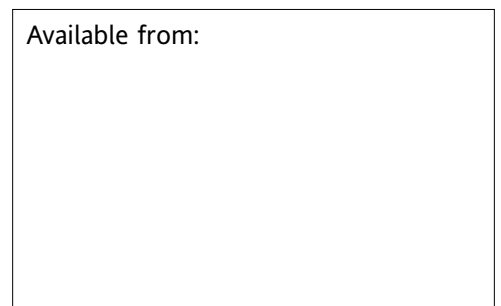
## Dimensions



### Commercial Lockshields

Product	Part No.
1/2" Angle	08 08 920
1/2" Straight	08 08 921
1/2" Angle Valve	07 15 214
1/2" Straight Valve	07 15 185
(Matching Commercial TRV valve bodies)	
TRV4 commercial radiator pack	07 05 187
(TRV4 head with 1/2" angle valve and 1/2" angle lockshield)	

Available from:



Sales: +44 (0) 845 130 5522  
 Technical: +44 (0) 845 130 7722  
 Fax: +44 (0) 845 130 0622  
 Email: [customer.care@invensys.com](mailto:customer.care@invensys.com)  
[www.draytoncontrols.co.uk](http://www.draytoncontrols.co.uk)

