

# OWNER GUIDE

## S u n f i r e

MODEL 337  
(GC No. 32-032-31)

### **RADIANT/CONVECTOR GAS FIRES**



**THIS APPLIANCE IS FOR USE WITH NATURAL GAS (G20)  
THIS APPLIANCE IS FOR USE IN THE UNITED KINGDOM (GB) AND THE  
REPUBLIC OF IRELAND (IE) ONLY.**

Manufactured exclusively for British Gas & Scottish Gas by Valor Heating  
**For Service Phone 0845 950 0400**

This guide is intended to help you care for your gas fire. Please read thoroughly before using and keep for future reference

**This guide to be left with the owner**

# OWNER GUIDE

## Safety First.

This gas fire is CE Approved and designed to meet the appropriate British Standards and Safety Marks.



## Quality and Excellence at the heart of every Valor fire.

This fire has been manufactured to the highest standards of quality and excellence and are manufactured under a BS EN ISO 9001 quality system accepted by the British Standards Institute.



## The Highest Standards

The manufacturer is a member of the Society of British Gas Industries which works to ensure high standards of safety, quality and performance.



## Careful Installation

The manufacturer is a CORGI registered company. All our gas fires must be installed by a competent CORGI Registered Installer in accordance with our Installer Guide and should not be fitted directly on to a carpet or floor of combustible material.

Valor Heating, Erdington, Birmingham B24 9QP

[www.valor.co.uk](http://www.valor.co.uk)

Because our policy is one of constant development and improvement, details may vary slightly from those given in this publication

# OWNER GUIDE

## LIST OF CONTENTS

SAFETY.....	3
APPLIANCE DIMENSIONS.....	6
OPERATING YOUR FIRE .....	7
To light the fire .....	7
CLEANING .....	9
REPLACING THE RADIANTS .....	9
Regular maintenance .....	10

## CUSTOMER CARE

*Thank you for choosing this gas fire.*

This fire is designed to meet the most stringent quality, performance and safety requirements to provide our customers with many years' trouble-free service.

Your owner guide aims to improve your understanding and appreciation of your gas fire by providing simple and informative instructions to ensure that you benefit from the excellent performance and features it has to offer.

## SAFETY

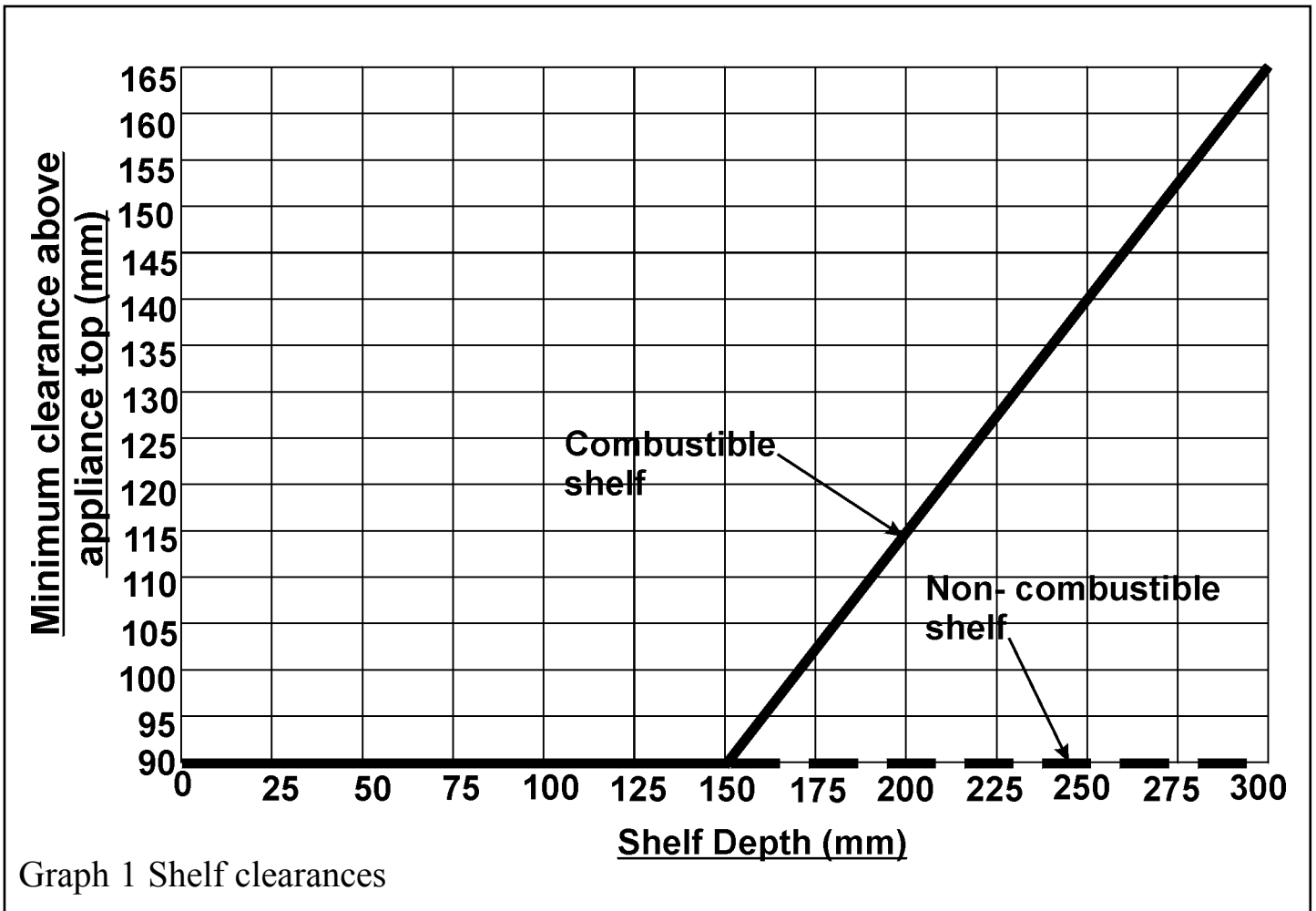
### IF YOU SMELL GAS

**DON'T SMOKE**  
**EXTINGUISH ALL NAKED FLAMES**  
**DON'T TURN ELECTRICAL SWITCHES ON OR OFF**  
**TURN OFF THE GAS SUPPLY AT THE METER**  
**OPEN DOORS AND WINDOWS TO GET RID OF THE GAS**  
**IMMEDIATELY CALL THE GAS EMERGENCY SERVICE – SEE YOUR LOCAL TELEPHONE DIRECTORY**

# OWNER GUIDE

## DO

- Have the fire installed by a competent person. In the United Kingdom, installation must be in accordance with the latest edition of the Gas Safety (installation & use) Regulations. In the Republic of Ireland, installation must be in accordance with all national and local regulations in force.
- Have the chimney swept prior to installation if it was previously used for solid fuel.
- Have the fire installed in accordance with the installation instructions
- Allow a minimum clearance of 90mm from the top of the appliance case to the underside of any shelf whether it is made from combustible or non-combustible materials. This clearance is necessary to allow the case to be lifted off for servicing and also allows sufficient access to operate the control knob. For a shelf made from wood or other combustible materials deeper than 150mm the minimum clearance must be as shown in graph 1. Please bear this in mind if ever you add a shelf.



- Provide a suitable guard that complies with BS 8423 for the protection of young children, the elderly and the infirm. Such a guard is also recommended for the protection of pet animals. (Although this fire conforms to all the applicable standards, it is a heating appliance and certain parts of its surface will become hot.)

*Note: The guard supplied with the fire acts as a fireguard conforming to BS1945:1971 and satisfies the Heating Appliance (Fireguard) (Safety) Regulations 1991.*

# OWNER GUIDE

## DO

- Wait three minutes before attempting to relight if the fire is switched off or the flames are extinguished for any reason. (Your fire is fitted with a safety device that will automatically shut off the gas supply to the fire if, for any reason, the flames go out.)
- Get advice about the suitability of any wall covering near your fire. Soft wall coverings (e.g. embossed vinyl, etc.) which have a raised pattern are easily affected by heat. They may, therefore, scorch or become discoloured when close to a heating appliance. Please bear this in mind whenever you are considering redecorating.
- Provide a minimum clearance of 50mm between the outer case sides and any corner wall having combustible material or other combustible surface which projects beyond the front of the fire (See figure 1). Please bear this in mind if ever you are considering altering the room.

## DON'T

- Hang clothing, towels or any other fabrics over the fire.
- Fill in the space behind the case.
- Use the fire without the dress guard being in position.
- Attempt to clean or service the fire until it has been switched off and allowed to cool completely.
- Use the fire with damaged radiants.

# OWNER GUIDE

## APPLIANCE DIMENSIONS

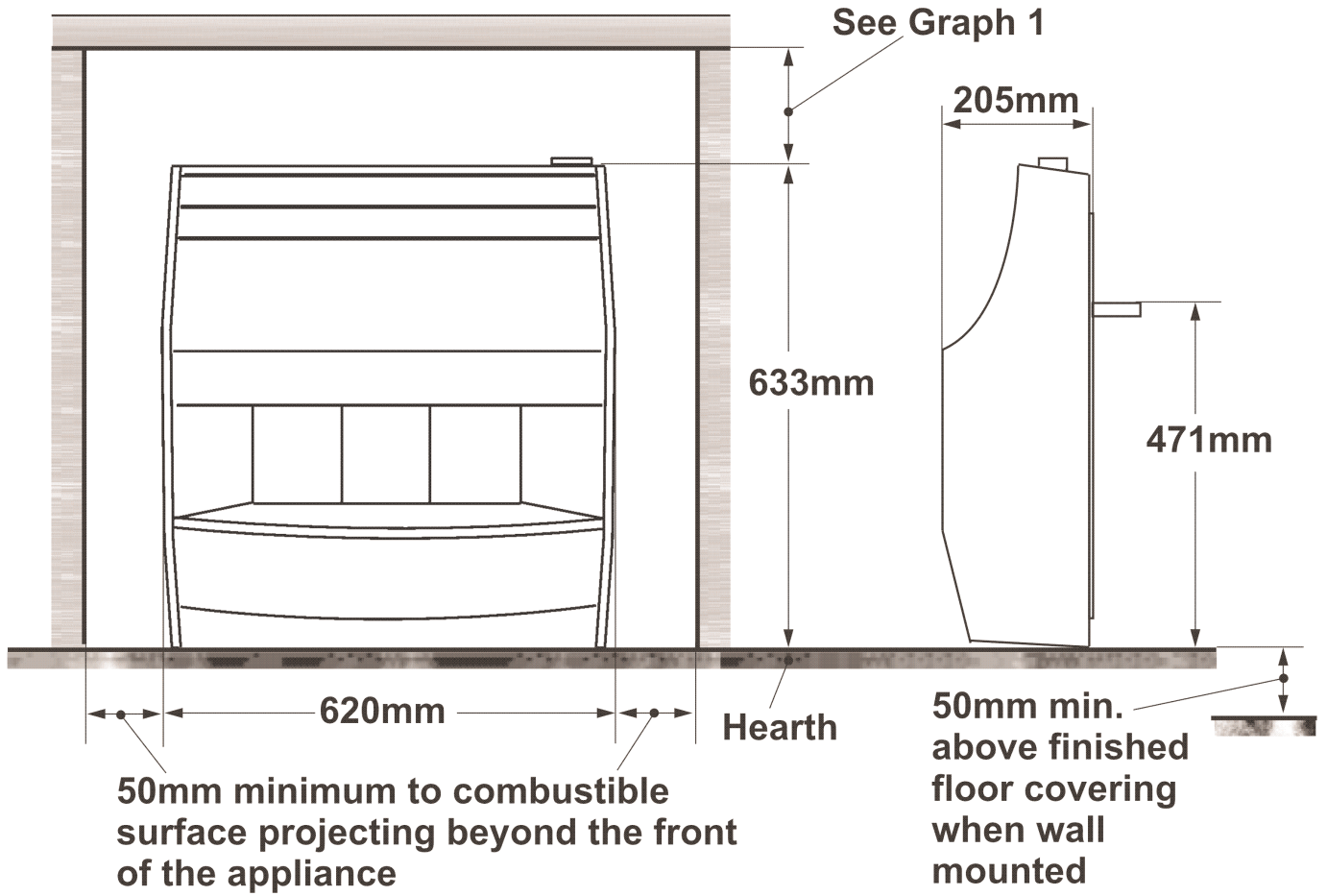


Figure 1 Dimensions & clearances

# OWNER GUIDE

## OPERATING YOUR FIRE

### ***PLEASE NOTE***

When operating your fire for the first time, some vapours may be given off which may cause a slight odour and could possibly set off any smoke alarms in the immediate vicinity. These vapours are quite normal with new appliances. They are totally harmless and will disappear after a few hours use.

### **The Oxysafe flame sensing & flue blockage safety system.**

For your safety, this appliance is fitted with a flue blockage safety device that will shut down the appliance in the event of abnormal flue conditions. ***This device is NOT a substitute for an independently mounted Carbon Monoxide detector.***

The device will also automatically shut off the gas supply to the fire if the pilot flame goes out due to lack of oxygen or for any other reason.

***If this device starts to repeatedly shut off the gas, get expert advice.***

This device incorporates a probe that senses that the heat from the pilot flame is correct. If this probe is cool, the device will prevent any gas flow unless the control knob is held down at the ignition position.

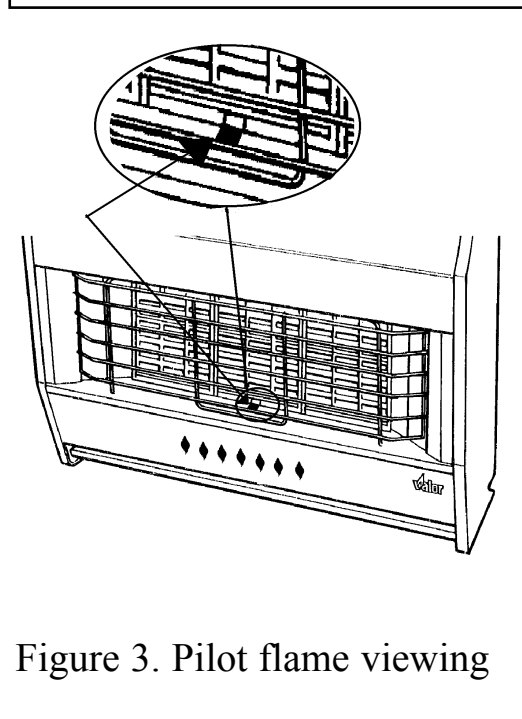
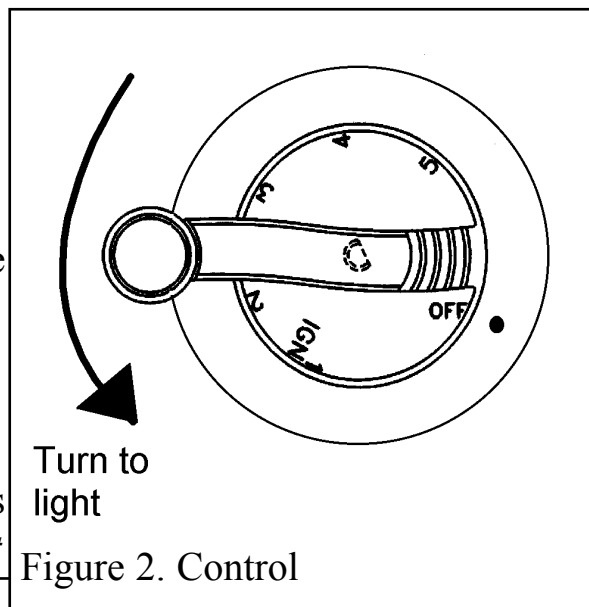
If, for any reason, the flames go out when the fire is hot or if the fire is turned off when hot, always ***wait at least three minutes before attempting to relight.***

### **To light the fire**

The control is shown in Figure 2.

- Depress the control knob and turn anticlockwise towards the 1/IGN position. A spark should be generated at the pilot while turning. The spark should ignite the pilot. **If it does not**, keeping the knob depressed, continue to turn the knob anticlockwise. A **second** spark should ignite the pilot. The pilot flame can be seen through the opening immediately below the centre radiant – See figure 3.

If the pilot does not light, turn the knob back



# OWNER GUIDE

to OFF and try again.

*In the unlikely event of failure of the ignition mechanism the pilot can be lit with a long match or taper – See the next page.*

- When the pilot has lit keep the knob depressed for about ten seconds to allow the flame sensing probe to warm up.
- The control knob can then be set to your preferred heat level. The settings are:

<b>Knob Position</b>	<b>Radiants Condition</b>
2	Centre radiant on low. Outer radiants off.
3	Centre radiant fully on. Outer radiants off.
4	Centre radiant fully on. Outer radiants on low.
5	All radiants fully on.

**To turn off** partially depress the knob and turn clockwise to off. **Wait at least three minutes before attempting to relight.**

## ***Lighting with a match or taper***

- *Depress the control knob and turn anticlockwise towards the I/IGN position.*
- *While keeping the knob depressed, light the pilot by inserting a long match or taper into the pilot viewing opening (See figure 3).*
- *When the pilot is alight, keep the knob depressed for about ten seconds to allow the flame sensing probe to warm up before setting to your preferred heat level.*
- *For your own convenience, have the heater serviced as soon as possible.*



# OWNER GUIDE

## CLEANING

Turn the fire off and allow it to cool before attempting any cleaning.

Normally the fire will only need dusting. The bright metal trims may be cleaned with a damp cloth and dried with a soft duster. Obstinate marks can be removed from the guard and trims using soapy water. *Never use abrasive cleaners.*

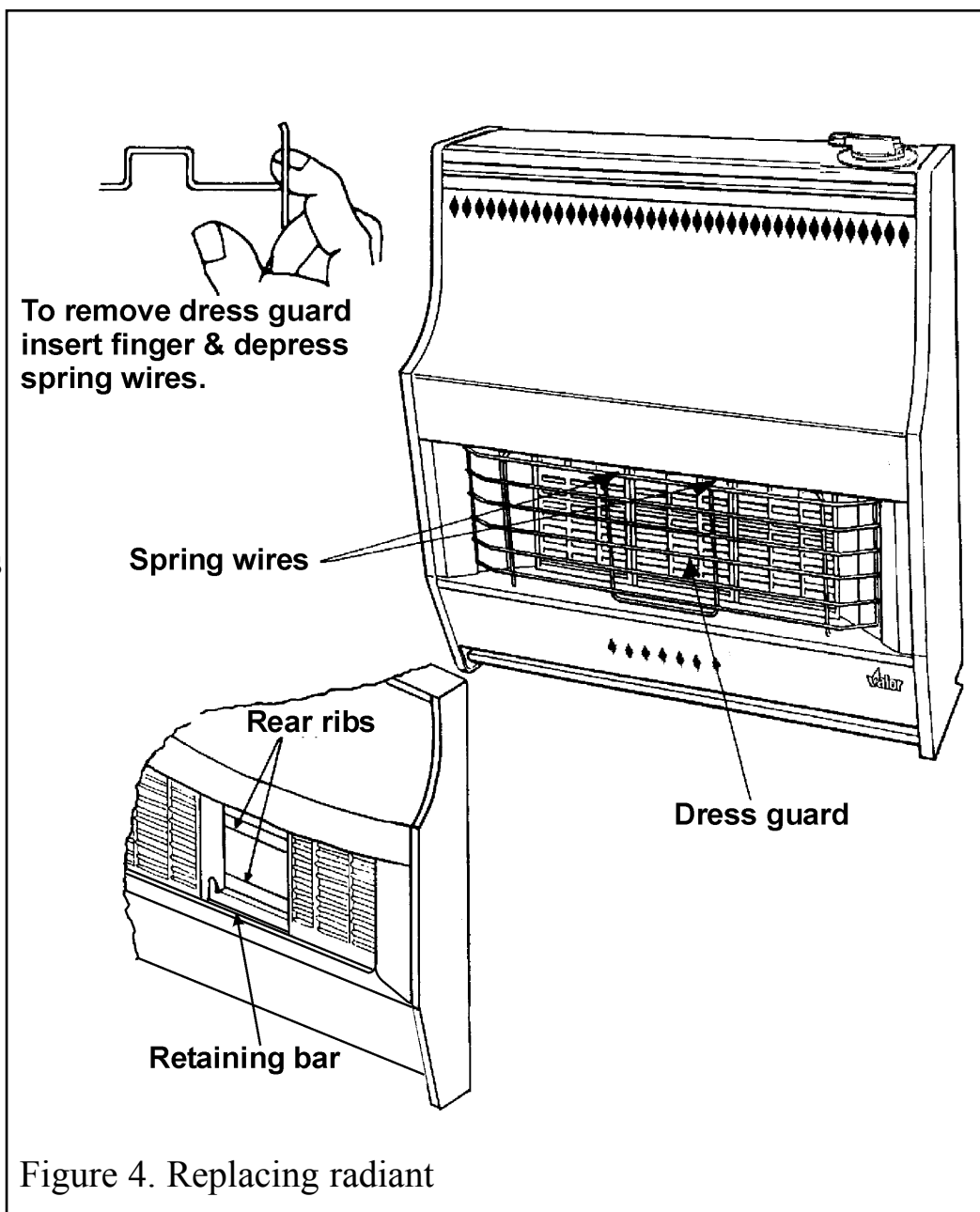
The radiants can be cleaned with a soft brush - see below for how to remove the radiants.

## REPLACING THE RADIANTS

See figure 4.

**Always use the correct type of replacement radiant. Ask for part number 0544649 (GC No. 125 164).**

- Turn the fire off and allow it to cool before attempting to remove the radiants.
- Remove the dress guard by pressing down the two hooks at the top. Tilt the guard forward and lift out.
- Lift the radiant upward to clear the metal retaining bar then pull out bottom first.
- Fit the new radiant by inserting its top under the top lip of the radiant box then swing the bottom of



the radiant over and behind the retaining bar. **It is important that the back face of the radiant should rest against the rear ribs in the firebox. There will be a small gap between the bottom front edge of the radiant and the retaining bar.**

## OWNER GUIDE

- Replace the dress guard. Locate the bottom of the dress guard in the two holes in the bottom panel apron. Push the guard back so that the two spring projections at the top of the guard engage in the slots under the front decorative canopy.

## MAINTENANCE

### **Regular maintenance**

In order to achieve and maintain high levels of personal safety and performance efficiency, it is essential that the opening at the back of the fire and the flue are kept clear of any form of obstruction. It is possible that deposits of mortar or soot could fall and accumulate causing the flue to be blocked or restricted and so preventing proper clearance of dangerous exhaust fumes.

In the United Kingdom it is the law that a landlord must have any gas appliance, flue and pipework which is situated in a tenant's premises checked for safety at least every twelve months by a competent person (In the U.K., a CORGI registered installer).

We recommend that all gas appliances and their flues, wherever situated, are checked annually.

### **Servicing**

- In the United Kingdom servicing can be carried out either by a Valor Service engineer or a CORGI registered installer.
- If you require your fire to be serviced, please contact British Gas or Scottish Gas

**TELEPHONE 0845 950 0400** and please quote the following details which can be found on a 'swing' plate located below the burner behind the bottom hearth casting

**a) Model and G.C. number.**

**b) Serial Number (To be found on a label near the bottom of the right side of the case.)**