

The Buderus  
600 Regular Range

## Technical specifications

### Summary of the Buderus 600R Range

Buderus boiler	Type
600/11R	Regular boiler
600/19R	Regular boiler
600/24R	Regular boiler

### The Buderus 600R Range specifications

Boiler size		600/11R	600/19R	600/24R
Output (75° - 60°C)	kW	4.3 - 10.0	8.6 - 17.4	8.6 - 22.0
Output (40° - 30°C)	kW	4.9 - 11.0	9.7 - 19.0	9.7 - 24.0
Max flow temperature	°C	40 - 80	40 - 80	40 - 80
Emission NOx	mg/kWh	<30	<30	<30
Flue gas temperature (40°/30° C)	°C	50	55	55
SEDBUK rating		A	A	A
Weight	kg	29	29	29
Size (H-B-D)	mm	700 - 460 - 290	700 - 460 - 290	700 - 460 - 290
Lift Weight (without casing)	kg	23.5	23.5	23.5

Tapping sizes		600/11R	600/19R	600/24R
Flow and return	mm	22	22	22
Gas connection	BSP	1/2"	1/2"	1/2"
Condense drain	mm	22	22	22



Buderus is the largest manufacturer of gas condensing boilers in Europe, and is committed to the development of high quality, energy efficient heating appliances for domestic and commercial use. The German owned heating technologies brand has a manufacturing heritage stretching back over 275 years and has spent decades in the European condensing boiler market developing and refining its boiler technology. This includes rigorous quality testing of every component to ensure that each boiler delivers high levels of fuel efficiency, consistent heating and hot water performance and a long product life. Buderus is also known throughout Europe and in the US for its prowess in metal casting techniques, and special steel products. The Buderus brand has a presence in 50 countries, most of them in Europe.

In the UK the Buderus brand is part of BBT Thermotechnology UK Ltd, a company at the forefront of heating and hot water technology in the domestic and commercial market sectors. It has a diverse portfolio of heating products and strong brands, with an international focus and a commitment to the development of sustainable heating technology solutions for the future.



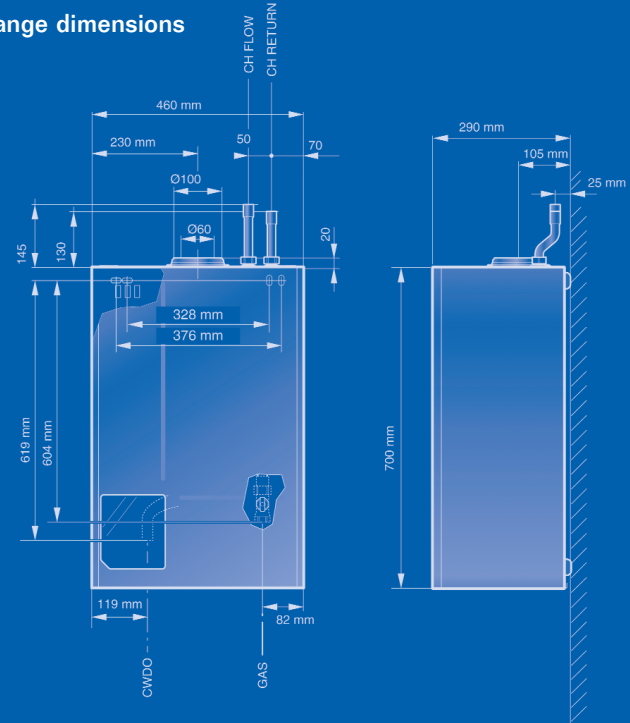
The Buderus  
600 Regular Range



## Energy Efficient Domestic Boilers



### The Buderus 600R Range dimensions



### Additional 600 Range models available

Buderus boiler	Type
600/11S	System boiler
600/19S	System boiler
600/24S	System boiler
600/24C	Combi boiler
600/28C	Combi boiler



This product has an energy rating A on a scale of A-G. For more information see [www.boilers.org.uk](http://www.boilers.org.uk)



93 / 2339

To contact us...

Buderus, Cotswold Way, Warndon, Worcester WR4 9SW

Tel: 01905 752936 Fax: 01905 753130

[www.buderus.co.uk](http://www.buderus.co.uk)

Sales Tel: 01905 752640 Fax: 01905 456445/455394

Returns Tel: 01905 752531 Fax: 01905 455392

Spares Tel: 01905 752576 Fax: 01905 754620

Customer Service Tel: 0870 421 5933

Technical Product Support Tel: 0870 421 5944

In the UK, Buderus is a trading name of BBT Thermotechnology UK Ltd.

Buderus' policy is one of continuous research and development and this may necessitate alterations to this specification from time to time. Therefore before preparing for the installation of the appliance it is important that the instructions issued with the unit are carefully read and adhered to. The statutory rights of the customer are not affected. All information is correct at time of going to press. Buderus reserves the right to alter any information where necessary. E&OE.

# Buderus

8 716 110 421

ISSUE C 10/06

Intelligent Heating Solutions

# Buderus



## An introduction

Welcome to Buderus, we hope that the information contained within this brochure answers any questions you may have regarding our range of high efficiency boilers. Should you require any further details, please use the contact details on the back page.



The Buderus 600 Regular

## Why choose a Buderus boiler?

### - High efficiency, SEDBUK A.

The 600 Regular range of Buderus high efficiency gas boilers represents the quality solution for the discerning customer. Reliable condensing boilers are the Buderus trademark, and the 600R reflects 25 years of exhaustive research and development.

Suitable for open vented systems, the 600R is easy to install and service utilising the Buderus 'quick clip' fastenings. In particular, the heat exchanger can be removed within a few minutes. (This appliance is also suitable for use on sealed systems using the appropriate components available from your local merchant.)

Acknowledged as the European market leader for condensing technology, Buderus has installed over 3 million appliances across Europe.

### Why choose condensing technology?

Condensing technology is seen as the most efficient energy solution for domestic heating applications in the UK.

No one is better placed within the market to meet the demand for reliable, high quality condensing appliances than Buderus.

### Buderus – the choice of the discerning installer.

## Cross-section of the Buderus 600R

The Buderus  
600 Regular Range

### Ignition and ionisation

- Ceramic pin reaches 1200°C ensuring first time reliable ignition

### Burner

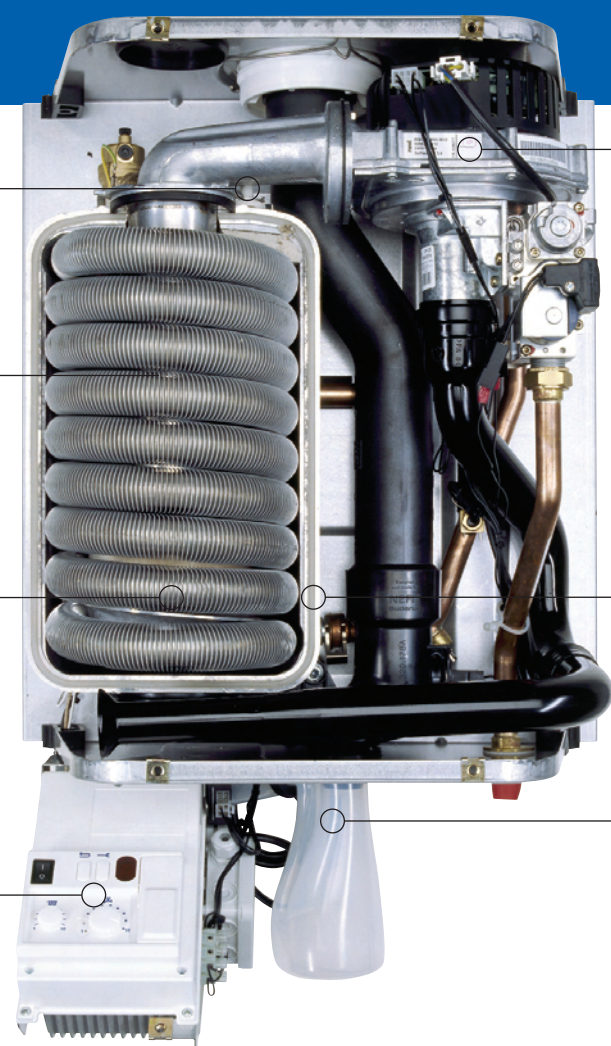
- Stainless steel construction
- Ultra low NOx and CO less than 30mg/kWh
- Fully modulating

### Heat exchanger

- Finned one piece aluminium heat exchanger
- Only two O-ring connections for easy removal
- Compact and light
- Rapid heat transfer

### Boiler control box UBA

- Detailed status and service information on display
- Provides adjustable heating flow temperature



### Gas-air unit

- Always a perfect gas-air mixture
- Fan and gas valve integrated into one unit
- Simple to service
- Modulating fan for energy saving

### Servicing

- Buderus 'quick clip' fastening
- Individual components easily removed

### Additional features

- Easy to maintain, deep seal condensation trap

## Benefits at a glance

- Comprehensive range: 11, 19 & 24 kW available
- Standard 2 year warranty
- Outstanding serviceability
- Renowned Buderus quality
- Condensing technology provides energy savings
- Excellent value for money
- Only 23.5kg lift weight
- Exceptionally quiet operation

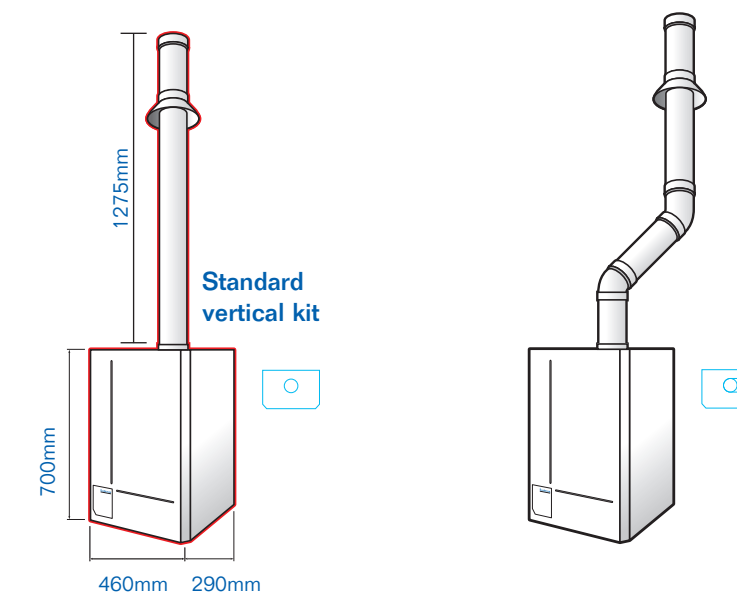
Regular 24 illustrated, system boilers available in 11, 19, 24kW.



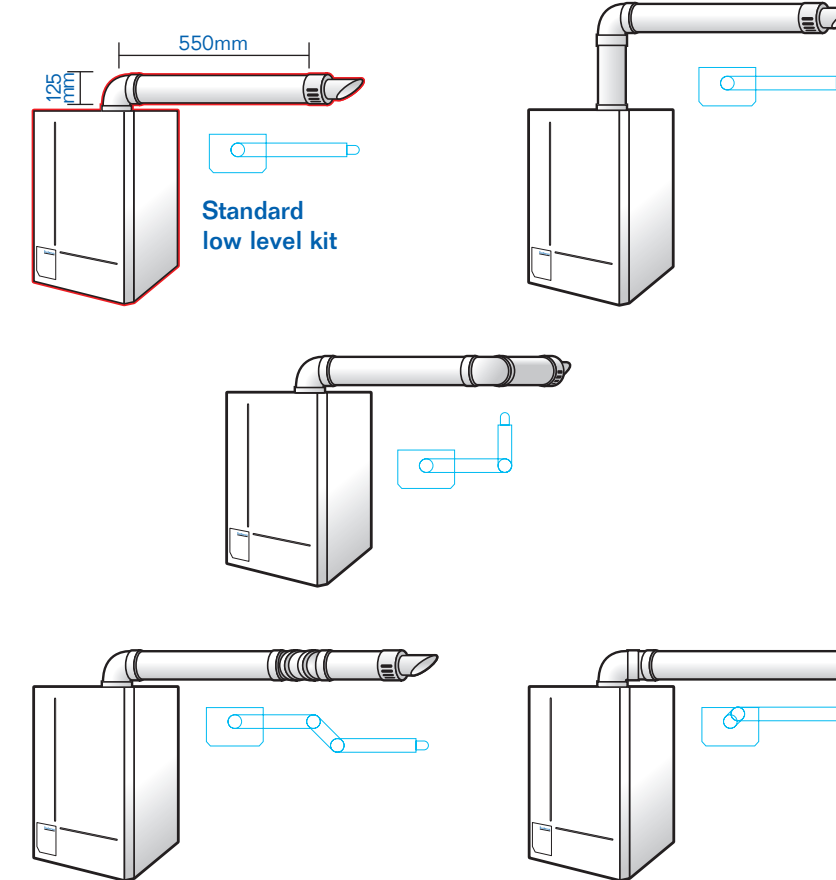
The Energy Saving Trust encourages energy efficiency and the integration of renewable energy sources into the economic fabric of our society.

## Flue options for the Buderus 600R Range

### Vertical flues:



### Horizontal flues:



NB: Flue take off is central to width of cased boiler.

### 600 Series flues

- Maximum flue length is 7.5 metres horizontally or vertically
- For each 90° bend deduct 1.2 metres
- For each 45° bend deduct 600mm
- All flues can be cut to length
- 500mm kit extends to a maximum of 430mm
- 1000mm kit extends to a maximum of 930mm

### Part codes

T000 083 702	Standard horizontal kit
T000 083 700	Standard vertical kit
T000 083 703	500mm extension
T000 083 704	1000mm extension
T000 083 705	90° bend
T000 083 706	45° bend (2 pieces)
T000 083 717	Weathering slate (Flat roof)
T000 087 909	Weathering slate (Pitched roof)

- Ensure low level flue options are inclined by approximately 3 degrees to allow condense to drain back through the boiler
- All flues can be cut to length

- If you require any further information please contact Buderus on 0870 421 5933