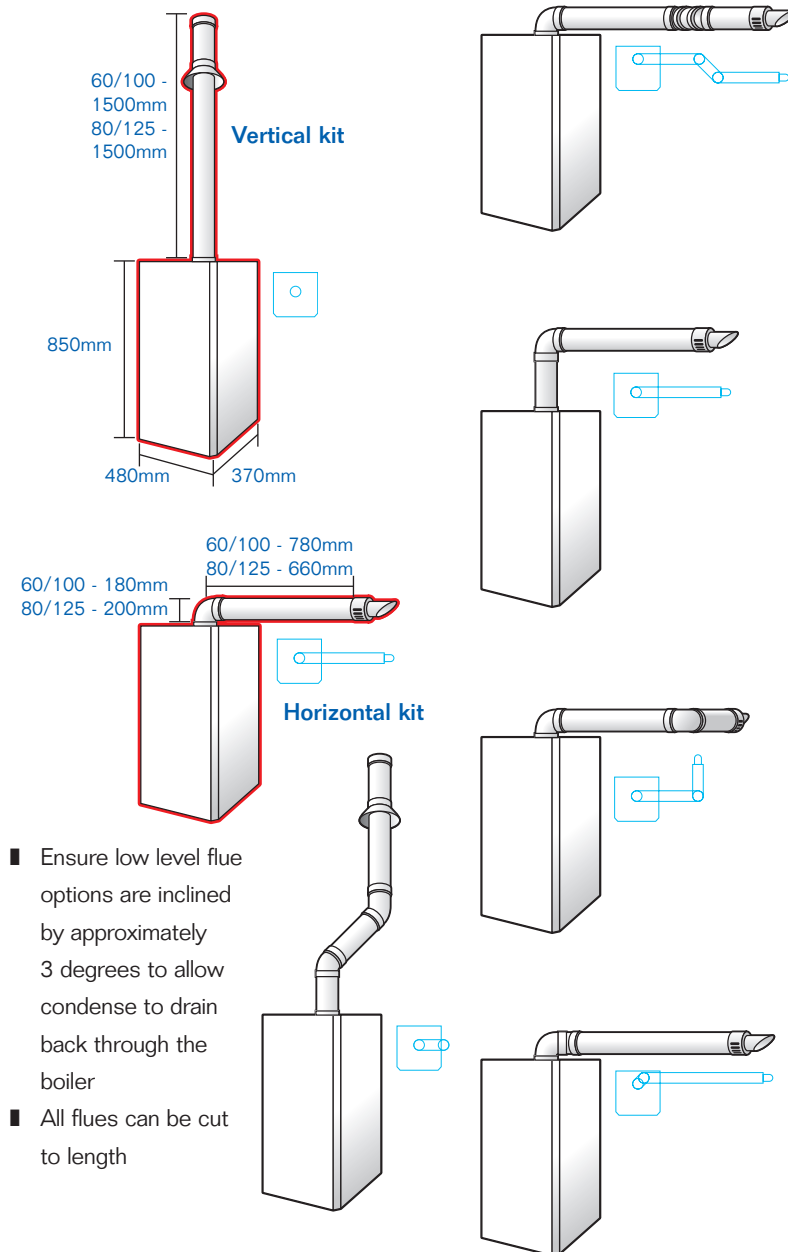


## Technical data and flue options

The 600 28kW Combi is available with a 60/100mm or 80/125mm flue system



### 60/100mm flue system

- Maximum flue length is 12 metres horizontally or vertically
- For each 90° bend deduct 1.2 metres
- For each 45° bend deduct 600mm
- 500mm and 1000mm extension kits available

#### Part codes

T000 083 708	Horizontal kit
T000 083 709	Vertical kit
T000 083 703	500mm extension
T000 083 704	1000mm extension
T000 083 705	90° bend
T000 083 706	45° bends (2 pieces)
T000 083 717	Weathering slate (Flat roof)
T000 087 909	Weathering slate (Pitched roof)

### 80/125mm flue system (optional)

- Maximum flue length for 600 28C boilers is 20 metres horizontally or vertically
- For each 90° bend deduct 1.4 metres
- For each 45° bend deduct 750mm
- 500mm and 1000mm extension kits available

#### Part codes

T000 083 712	Horizontal kit
T000 083 710	Vertical kit
T000 083 713	500mm extension
T000 083 714	1000mm extension
T000 083 715	90° bend
T000 083 716	45° bends (2 pieces)
T000 083 717	Weathering slate (Flat roof)
T000 087 909	Weathering slate (Pitched roof)



The Buderus  
600 28kW Combi



## High Efficiency Domestic Heating

To contact us...

Buderus, Cotswold Way, Warndon, Worcester WR4 9SW

Tel: 01905 752936 Fax: 01905 753130

www.buderus.co.uk

Sales Tel: 01905 752640 Fax: 01905 456445/455394

Returns Tel: 01905 752531 Fax: 01905 455392

Spares Tel: 01905 752576 Fax: 01905 754620

Customer Service Tel: 0870 421 5933

Technical Product Support Tel: 0870 421 5944

In the UK, Buderus is a trading name of BBT Thermotechnology UK Ltd.

Buderus' policy is one of continuous research and development and this may necessitate alterations to this specification from time to time. Therefore before preparing for the installation of the appliance it is important that the instructions issued with the unit are carefully read and adhered to. The statutory rights of the customer are not affected. All information is correct at time of going to press. Buderus reserves the right to alter any information where necessary. E&OE.



93/2339

# Buderus

8 716 110 423

ISSUE C 10/06

Intelligent Heating Solutions

# Buderus

## About Buderus

### Reliability, quality & high efficiency

Buderus is the largest manufacturer of gas condensing boilers in Europe and has been designing and manufacturing high-efficiency heating appliances for over 25 years. All of our products are built to high specifications and utilise state-of-the-art components and the latest technology in order to exceed European standards for quality, safety, efficiency and the environment.

### Energy efficiency

#### Making the most of your energy

Government legislation, led by increasing environmental awareness, is resulting in regulations that are designed to encourage the installation of products with lower emissions and higher energy efficiency. Buderus provides an extensive range of SEDBUK A rated condensing boilers that convert the heat that is usually lost to the environment through flue gases, into energy. This results in considerable financial savings for the consumer on gas, electricity and water bills and significantly reduces the boiler's impact on the environment.



The Energy Saving Trust encourages energy efficiency and the integration of renewable energy sources into the economic fabric of our society.



## Introducing the 600 28kW Combi

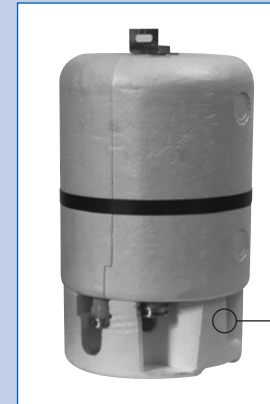
This quiet, efficient and reliable condensing combi from Buderus offers significant savings on energy and provides outstanding levels of comfort throughout the home, whatever the weather. The use of the latest modulating technology and state-of-the-art weather compensating controls allow the boiler to be fine-tuned, ensuring that heat losses are kept to a minimum and the boiler always operates at maximum efficiency.

With impressive flow rates, instant hot water delivery, and an advanced electronic diagnostic display, the 600 28kW combi offers exceptional performance and is the clear choice for the discerning installer. The high-quality, industry leading components are easy to access and simple to remove, allowing the boiler to be serviced in a matter of minutes. Every boiler comes complete with a 2 year parts and labour warranty, with technical backup and service support provided by dedicated teams at Buderus.



## The Buderus 600 28kW Combi

### Cross-section of the Buderus 600 28kW Combi



#### ThermoQuick

- Compact hot water vessel ensures immediate hot water delivery
- Adjustable hot water temperature
- Flow rate @ 35°C rise 11.7 ltr/min

#### Heat exchanger

- Finned one piece aluminium heat exchanger
- Only two O-ring connections for easy removal
- Compact and lightweight

#### Boiler control box UBA

- UBA 3.0 technology with a detailed service diagnostics display

#### Additional features

- SEDBUK A
- 'Warm start' technology for instant hot water
- Robust quick release couplings for rapid servicing
- No combustion analyser required for metered gas supplies
- Frost protection as standard
- Underfloor heating compatible
- LPG options available
- Standard internal bypass
- Filling loop as standard



#### Gas-air unit

- Always a perfect gas-air mixture
- Fan and gas valve integrated into one simple 'twist-lock' unit
- Modulating fan for energy savings and ultra low NOx and CO emissions

#### Ignition and ionisation

- Smart glow plug for reliable first time ignition

#### Burner

- Stainless steel construction
- Service friendly

#### Expansion vessel

- 12 ltr as standard

#### Pump

- Variable speed pump reduces system noise and saves energy
- Automatically adjusts to match system demand

#### Trap

- Easy maintenance deep seal condense trap

#### Controls

##### Modulink 250 RF twin channel thermostat and programmer

- Independent heating and hot water control
- 24V for straightforward installation
- Room temperature modulation for increased efficiency
- Wireless operation to 30 metres
- Built in frost protection
- Holiday functions
- 6 different switching points

#### Technical information

Boiler	600 28kW Combi	
Output for central heating	kW	6 - 24.0
Output for domestic hot water (DHW)	kW	5.7 - 28.5
SEDBUK rating		A
Max. flow temperature	°C	30 - 80
Emission NOx	Mg/kWh	<30
Flue gas temperature (40°/30°C)	°C	55
Hot water flow @ 35°C rise	Ltr/min	11.7
Weight (without casing)	kg	42
Size (H-B-D)	mm	850 - 480 - 370
Expansion vessel	Ltr.	12