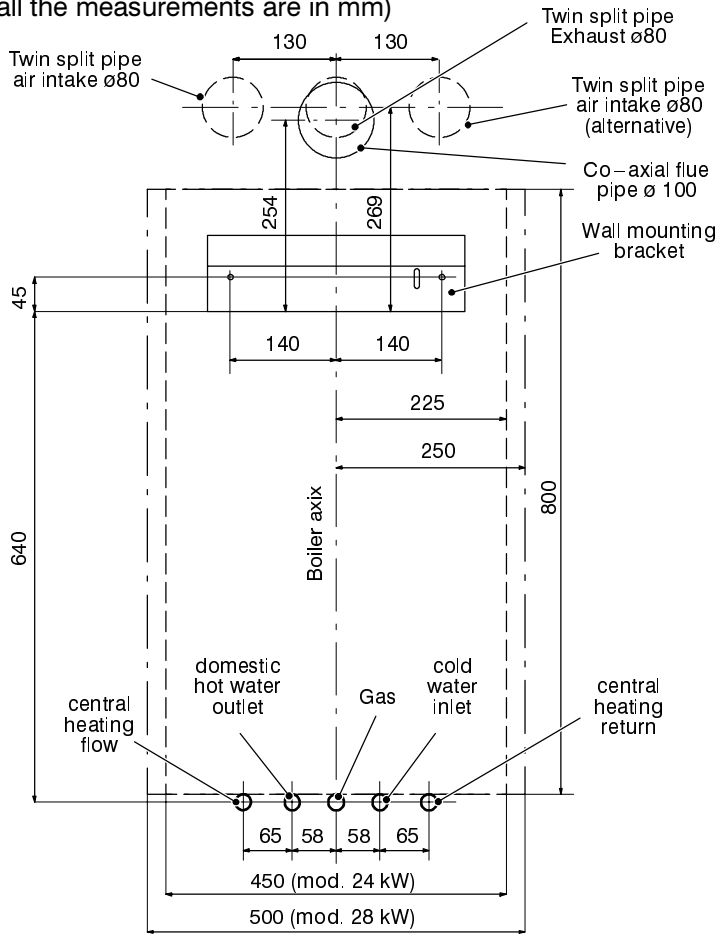


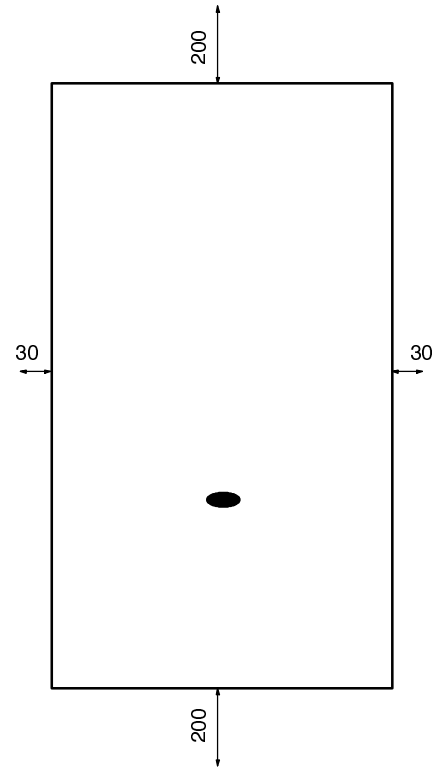


Fixing holes and connection pipes positions

(all the measurements are in mm)

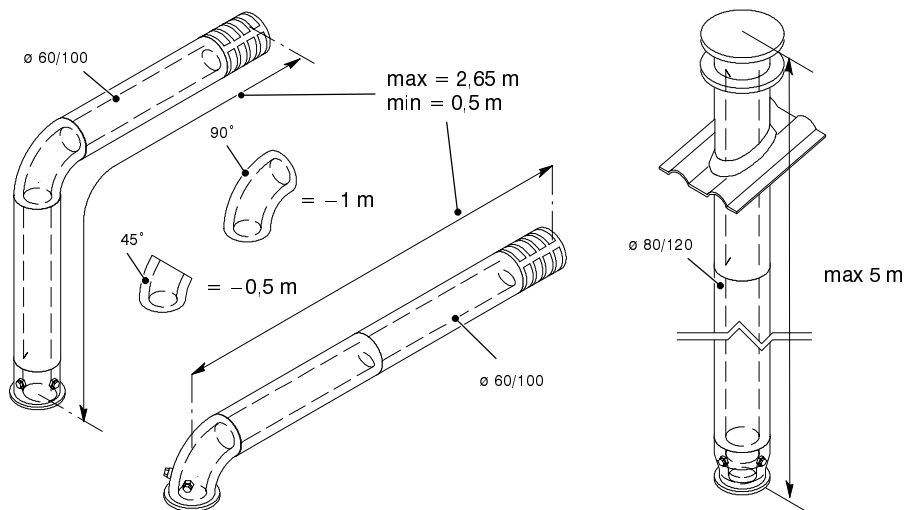


Clearances



Sizes for co-axial flue pipes

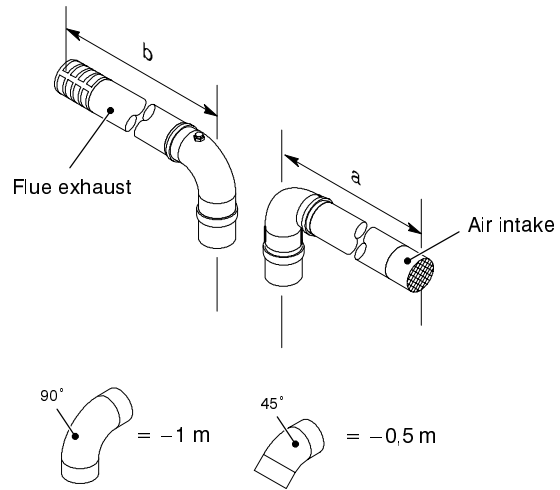
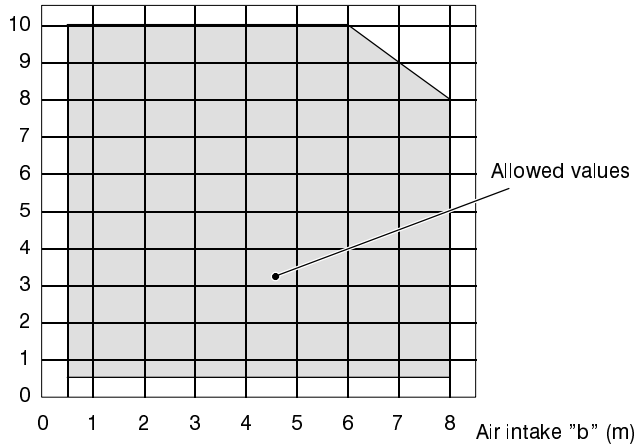
(all the sizes without the units of measure are in mm)



Sizes for twin-split flue pipe

(all the sizes without the units of measure are in mm)

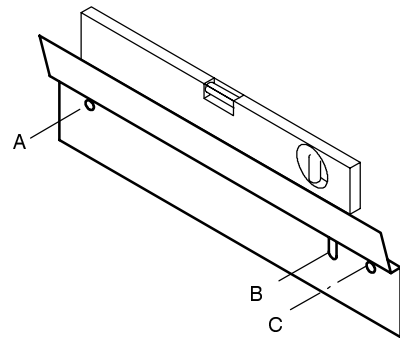
Flue exhaust "a" (m)



Wall mounting bracket

A metal bracket is provided with the boiler.

- Define the position of the boiler referring to the measurements given on the first page of this sheet. Take into consideration the clearances required for future maintenance and the flue installation and observe the requirements as indicated in the relevant codes of practise, regulations and the manufacturers flue installation instructions.
- Drill the fixing holes in the wall at points A and B.
- Temporarily secure the template to the wall using suitable fixings and ensure that the bracket is level.
- Drill another pilot hole at point C and remove the bracket from the wall.
- Drill holes to the required size and depth and secure the bracket using suitable adequate fixing to suit the support wall construction in holes A and C.
- Lift the boiler and hang it on the bracket. Ensure that the boiler and bracket are secure before continuing with the installation



Boiler connections

Gas and central heating

- Fix the central heating cocks A and gas cock B ($\frac{3}{4}$ ") to the boiler using the $\frac{3}{4}$ " gaskets.
- Fix the \varnothing 22 mm pipes C (the longest one for the gas cock) to the cocks A and B using the $\frac{3}{4}$ " gaskets.

Cold water inlet*

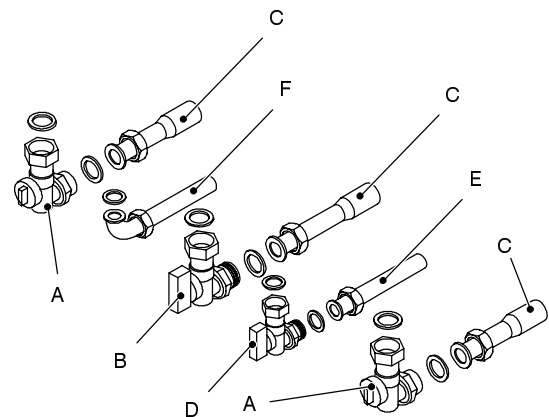
- Repeat the above procedure for the domestic cold water inlet utilising the $\frac{1}{2}$ " cold water inlet cock inlet cock D, the \varnothing 15 mm copper tail E with the its connection nut and two $\frac{1}{2}$ " gaskets.

Domestic hot water outlet*

- Fix the \varnothing 15 mm copper tail F with the $\frac{1}{2}$ " connection nut and a $\frac{1}{2}$ " gasket.

Pressure relief valve

- A \varnothing 15 mm to $\frac{1}{2}$ " straight connector is provided for connection from the pressure relief valve to the safety discharge pipework



Fittings required to complete the installation

It is recommended that the following fittings are obtained to assist the installation of the boiler

- 2 of suitable fixings to mount the bracket
- 3 of \varnothing 22 mm F elbows (gas, c/h flow and return)

- 2 of \varnothing 15 mm F elbow (d.h.w. outlet and c.w. inlet)*

* components and operations not required for c/h only boilers.