

---

Wall hung, fan flue, room sealed, high efficiency gas boiler

# User manual and Installation instructions

## GARDA HE

Models

**M96.24SM/B**

**M96.28SM/B**

## GARDA HE SILVER

Models

**M96.24SM/D**

**M96.28SM/D**



This product has an energy rating B on a scale of A to G  
For more information see [www.boilers.org.uk](http://www.boilers.org.uk)  
This is a certification mark



Congratulations on your choice.

**GARDA HE** and **GARDA HE SILVER** are condensing high efficiency sealed chamber fan flue gas boilers.

They are fully electronically controlled and have electronic ignition.

The materials they are made of and the control systems they are equipped with give you safety, a high level of comfort and energy savings to allow you to get the greatest benefit out of independent heating.

**GARDA HE** and **GARDA HE SILVER** allow a higher efficiency by reducing the flue gas temperature such that the water vapour formed during the combustion is condensed out. This allows a gain of useful heat that otherwise would be lost.

---

## Remember that...

### ✓ **The manual**

- must be read thoroughly, so that you will be able to use the boiler in a safe and sensible way;
- must be carefully kept. It may be necessary for reference in the future.

✓ **First lighting up** must be carried out by competent and responsible engineer.

### ✓ **The manufacturer**

- disclaim all liability for any translations of the present manual from which incorrect interpretation may occur
- cannot be held responsible for non-observance of instructions contained in this manual or for the consequences of any procedure not specifically described.

## Using the boiler...

✓ **Before lighting the boiler** you are advised to have a professionally qualified person check that the installation of the gas supply

- is gas-tight;
- is of the correct gauge for the flow to the boiler;
- is fitted with all the safety and control devices required by the current Regulations.

### ✓ **Ensure that**

- the installer has connected the pressure relief valve outlet to a drain pipe. The manufacturers are not responsible for damage

caused by opening of the pressure relief valve and consequent escape of water, if not connected correctly to the drain.

- the installer has connected the condensate outlet to a suitable drain pipe.

### ✓ **On detecting the smell of gas**

– don't operate any electrical switches, the telephone or any device that may produce sparks;

- open the windows and doors at once to create a draught of air which will purge the area;

- shut off the gas cocks;

- get the assistance of a qualified person.

✓ **Do not touch the appliance** with parts of the body that are wet or damp and/or bare feet.

✓ **Do not block or modify** the condensate outlet and pipework

✓ **In case of structural work** or maintenance near the exhaust duct and/or fume exhaust devices or their attachments, turn off the appliance. On completion of the work, have a professionally qualified person check their efficiency.

✓ **Repairs** (under guarantee) must be carried out only by an approved engineer, using genuine spare parts. Thus do no more than switching off the boiler yourself (see the instructions).

✓ **Your boiler** allows heating up of water to a temperature less than boiling point;

- must be connected to a central heating



system and/or a hot water supply system, compatible with its performance and output;

- can be used only for those purposes for which it has been specially designed;
- must not be touched by children or by those unfamiliar with its operation;
- must not be exposed to weather conditions.

✓ **During the operation** it is quite normal that the boiler produces a white plume of condensation vapour from the flue terminal. This is due to the high efficiency of the appliance and may be particularly evident with low outdoor temperatures.

## Safe handling of substances

Biasi products are manufactured in accordance with ISO 9000 and do not, and will not, contain any hazardous materials or substances such as asbestos, mercury or C.F.C.'s.

The appliance packaging does not contain any substances, which may be considered a hazard to health.

### Combustion chamber panels

Material: mineral fibers

Known hazards – Some people can suffer reddening and itching of the skin. Fibre entry into the eye will cause foreign body irritation, which can cause severe irritation to people wearing contact lenses. Irritation to respiratory tract.

Precautions – Dust goggles will protect eyes. People with a history of skin complaints may be particularly susceptible to irritation. High dust levels are only likely to arise following harsh abrasion. In general, normal handling and use will not present high risk, follow good hygiene practices, wash hands before, touching eyes, consuming food, drinking or using the toilet.

First aid – Medical attention must be sought following eye contact or prolonged reddening of the skin.

### Thermostat / Temperature gauge

Description – Sealed phial and capillary containing liquid.


Known hazards – irritating to skin, eyes and throat. Vapour is harmful. Inflammable – do not extinguish with water.

Precautions – Do not incinerate. Avoid contact with broken/leaking phials. Do not purposely puncture.

First aid medical attention must be sought following eyes/skin contact, wash with clean water.

**Appliance category II<sub>2H3+</sub> Gas G20 20 mbar, G30 29 mbar, G31 37 mbar**

**Country of destination: United Kingdom**

This appliance conforms with the EEC directive 90/396 and, consequently, it has the right to make use of the  brand name

Moreover, the appliance conforms with the EEC directive 87/308 relative to the prevention and elimination of radio disturbances.

The appliance is built to comply with the regulation now in force regarding gas appliance's safety and the European regulation now in force relative to safety of household and similar electrical appliances.

The manufacturer, in the continuous process to improve his products, reserves the right to modify the data expressed in the present documentation at any time and without prior notice.

The present documentation is an informative support and it cannot be considered as a contract towards third parties.

## Boiler installation and commissioning tips

✓ **The installation** must be carried out by a qualified person who will be responsible for observing the current Regulations.

### Installing the boiler...

✓ Do not forget to remove the transit caps and plugs from the boiler connections these are fitted to every boiler.

✓ Keep the boiler clear of dust during installation and in particular do not allow any dust or debris to enter the top of the boiler where the flue connection is made. It is recommended that you put a dust sheet over the top of the boiler until you are ready to make the flue connection.

✓ Because every boiler is fired and tested live at the factory, a small amount of water remains within the boiler. It is possible for this water to initially cause the pump to seize. It is therefore recommended that the pump rotor be manually turned to free its rotation before turning the boiler on.

✓ Remember to release the auto air purge before filling the boiler. See the instructions to identify the location of this device.

✓ Do not remove the cap of the pressure test points of the air switch (top left side of the boiler).

✓ You are strongly advised to flush out the system both cold and hot in order to remove system and installation debris.

✓ It is also sensible to initially fire and commission the boiler before connecting any external controls such as a room thermostat. By this method if you have a subsequent problem following the addition of an external control you can eliminate the boiler from your fault analysis.

✓ Do not forget to range rate the boiler to suit the system requirements. This procedure is covered in the commissioning section of the installation manual.

✓ If the boiler is fitted with a digital programmer, when setting the times for automatic operation, remember that for every "ON" time there must be an "OFF" time to follow and that on every occasion you enter a time you must also indicate which days that you want the boiler to follow the timed settings.

✓ Some products incorporate an anti cycling time delay. It is normal when first switching the boiler on for the boiler to operate on heating for a few seconds then switch off. After 3–4 minutes has elapsed the boiler will then re ignite and operate perfectly normally. The ignition delay cycle does not prevent normal operation of the boiler to provide d.h.w.

✓ If you are in any doubts as to the installation or operation of the boiler please read the instruction manuals thoroughly and then if necessary contact Biasi UK for advice and assistance.

# TABLE OF CONTENTS

<b>1 Appliance description</b> .....	<b>2</b>	2.4 C.h. circuit temperature .....	5
1.1 Overview .....	2	2.5 D.h.w. temperature .....	6
1.2 Control panel .....	2	2.6 Extinguishing .....	6
1.3 Isolation valves .....	2	2.7 Built in time switch .....	7
1.4 Technical data .....	2	<b>3 Useful advice</b> .....	<b>9</b>
1.5 Operation lights .....	3	3.1 Central heating .....	9
<b>2 Instructions for use</b> .....	<b>4</b>	3.2 Frost protection .....	9
2.1 Warnings .....	4	3.3 Periodic maintenance .....	9
2.2 Refilling procedure .....	4	3.4 External cleaning .....	9
2.3 Ignition .....	5	3.5 Operational faults .....	9
<b>4 Technical information</b> .....	<b>11</b>	6.3 Installing the bracket .....	22
4.1 Overview .....	11	6.4 Overall dimensions .....	23
4.2 Main diagram .....	12	6.5 Joints .....	23
4.3 Hydraulic specifications .....	13	6.6 Mounting the boiler .....	23
4.4 Expansion vessel .....	13	6.7 Fitting the flue system .....	24
4.5 Technical data mod. M96.24SM/...	14	6.8 Choice of flue .....	24
4.6 Technical data mod. M96.28SM/...	16	6.9 Electrical connections .....	25
<b>5 General requirements</b> .....	<b>18</b>	6.10 External frost protection .....	27
5.1 Related documents .....	18	<b>7 Commissioning</b> .....	<b>28</b>
5.2 Location of appliance .....	18	7.1 Electrical installation .....	28
5.3 Flue system .....	18	7.2 Gas supply installation .....	28
5.4 Gas supply .....	19	7.3 Filling the d.h.w. system .....	28
5.5 Air supply .....	19	7.4 Initial filling of the system .....	28
5.6 Ventilation .....	19	7.5 Condensate pipe and traps .....	29
5.7 Condensate drain .....	19	7.6 Lighting the boiler .....	29
5.8 Water circulation (c.h.) .....	19	7.7 Checking the gas pressure at the burner .....	29
5.9 Domestic water .....	20	7.8 Adjusting the burner ignition .....	30
5.10 Water treatment .....	20	7.9 Adjustment of useful c.h. output ..	31
5.11 Electrical supply .....	21	7.10 Checking the ignition device .....	32
<b>6 Installation</b> .....	<b>22</b>	7.11 Checking the flue system .....	32
6.1 Warnings .....	22	7.12 Checking the condensate drain pipe	32
6.2 Precautions for installation .....	22	7.13 Instructing the user .....	32
<b>8 Gas conversion</b> .....	<b>31</b>	9.5 Combustion analysis check .....	33
8.1 Warnings .....	31	9.6 Cleaning the primary heat exchanger	33
8.2 Procedures .....	31	9.7 Checking the pressurisation in the expansion vessel .....	33
<b>9 Maintenance</b> .....	<b>32</b>	9.8 Cleaning the burner .....	33
9.1 Warnings .....	32	9.9 Checking the flue .....	33
9.2 Dismantling the external panels ...	32	9.10 Drain pipe inspection .....	33
9.3 Emptying the d.h.w. system .....	32	9.11 Visual inspection of appliance .....	33
9.4 Emptying the c.h. system .....	32	9.12 Gas pressures and soundness ...	33

USE

INSTALLATION

MAINTENANCE

Abbreviations used in the manual

C.h. = Central heating

D.h.w. = Domestic hot water

D.c.w. = Domestic cold water

# 1 APPLIANCE DESCRIPTION

USE

## 1.1 Overview

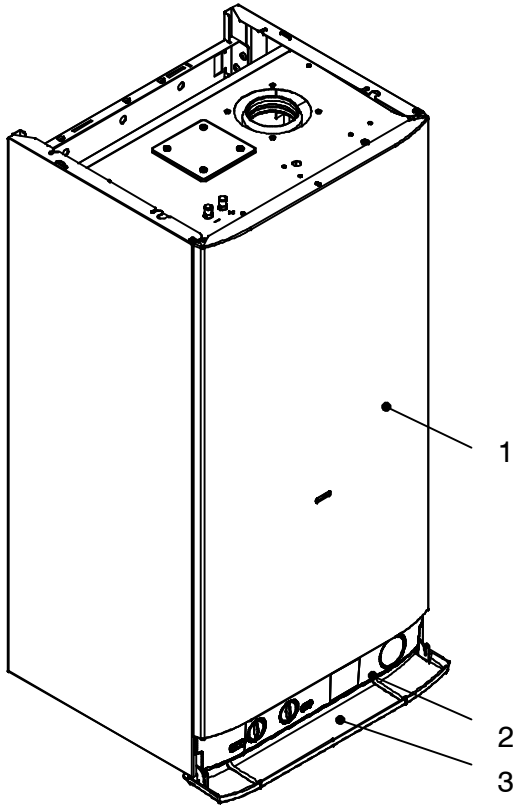


Fig. 1.1

- 1 Case front panel
- 2 Control panel
- 3 Control panel cover

## 1.2 Control panel

- 4 C.h. circuit temperature and pressure gauge
- 5 Time switch (c.h. control)
- 6 Lock-out signal lamp
- 7 Lockout reset button
- 8 Function selector and c.h. temp. control knob

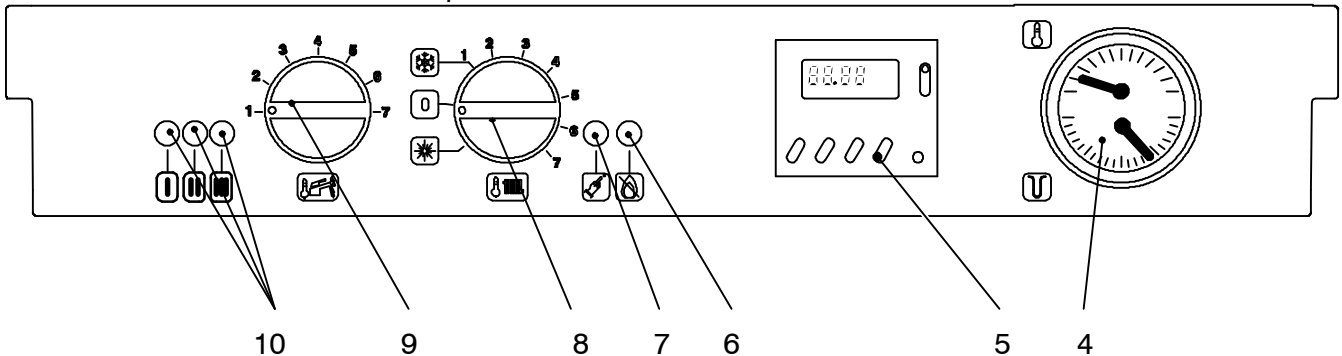


Fig. 1.3

- 9 D.h.w. temperature control knob
- 10 Appliance operation lights

## 1.3 Isolation valves

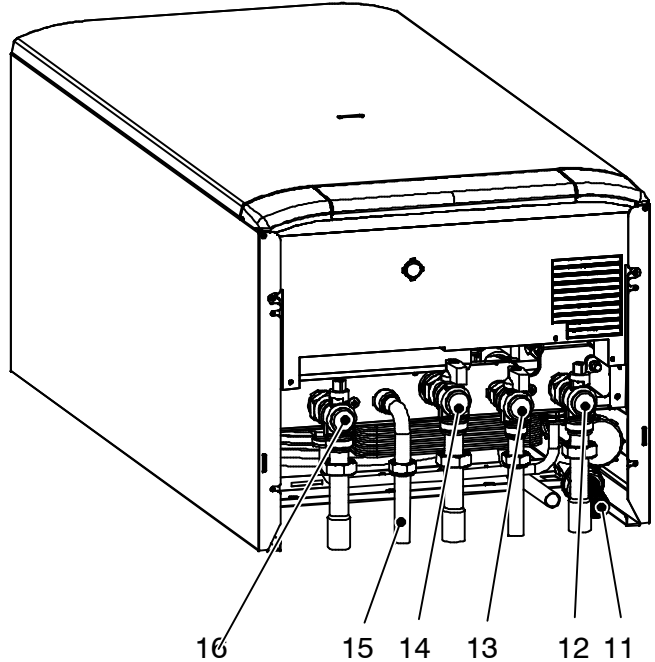


Fig. 1.2 (bottom view of the boiler)

- 11 Condensate drain pipe
- 12 C.h. return valve
- 13 D.c.w. inlet valve
- 14 Gas inlet valve
- 15 D.h.w. outlet pipe
- 16 C.h. flow valve

## 1.4 Technical data








































For detailed technical data see section 4.5 or 4.6 of this manual.


## 1.5 Operation lights

Three lights (10 in Fig. 1.3) give detailed indication regarding the operation of the boiler.


## Appliance description


The following table gives the relationship between each of the possible light combinations and their meaning.

			
			A short pulse every 4 seconds: stand-by condition Function selector in  position. Anti-freeze system active
			1 second pulse every 2 seconds: normally operating boiler. Function selector in  or  position
			C.h. operation
			D.h.w. operation
			Frost protect operation
			D.h.w. operation Excessive temperature on primary circuit
			Faulty c.h. temperature probe NTC
			Faulty d.h.w temperature probe NTC
			Faulty primary circuit (no water or absence of flow)
			Lack of burner ignition (no ignition signal from the full sequence ignition device)
			Ignition gas pressure adjustment
			Minimum gas pressure adjustment

 Lamp OFF

 Lamp ON

 Flashing lamp, alone or simultaneously with an other lamp.

 Flashing lamp, alternate with another lamp.

USE

## 2 INSTRUCTIONS FOR USE

USE

### 2.1 Warnings

Biasi UK Ltd support the Benchmark initiative. Within the information pack, you will find a Benchmark Log Book. It is very important that this is completed correctly by the installer and/or the commissioning engineer at the time of installation, commissioning and hand over to the user.

All CORGI Registered Installers carry a CORGI ID card, and have a registration number. Both should be recorded in your Benchmark Log Book. You can check your installer is registered by calling CORGI direct on 01256 372300.

In order to guarantee safety and correct operation, it is essential that all the tests are carried out by a competent and responsible service engineer before lighting up the boiler.

The tests are described in the *installation instructions* in section 7 *commissioning*.

Ensure that the c.h. circuit is regularly filled with water (even if the boiler is only used for d.h.w. supply) checking that the pressure indicated on the temperature and pressure gauge 4 is not lower than that shown in Fig. 2.2.

If the pressure reading on the pressure gauge is below that shown in Fig. 2.2, then the system will require topping up. A filling loop is normally provided by the installer for this purpose.

**If you are in any doubt regarding this procedure you are advised to contact your installer or an Approved Engineer.**

This appliance is provided with a built-in anti-freeze system that operates the boiler when the temperature is below 4 °C

Therefore, when the boiler is not lit or used in cold weather, with consequent risk of freezing **do not switch off the boiler at the fused spur isolation switch or close the gas inlet cock.**

When you do not expect to use the boiler for a long period and the boiler is not to be used for frost protection then follow the instructions given in section 2.6 on page 6.

### 2.2 Refilling procedure

- 1 Isolate the boiler from the electrical supply at the fused spur. Reconnect the filling loop as demonstrated in Fig. 2.1.

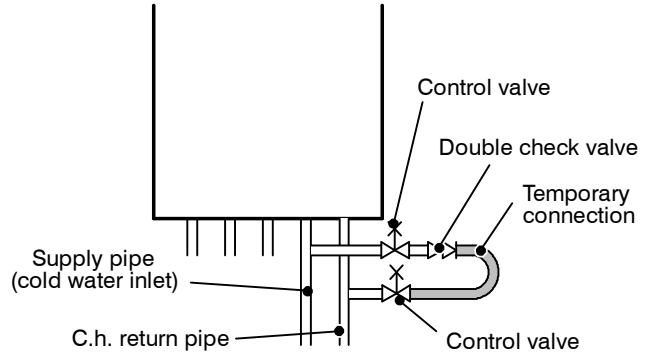


Fig. 2.1

- 2 Open the valves of the filling loop and watch the gauge until it reaches normal filling pressure as shown in Fig. 2.2.

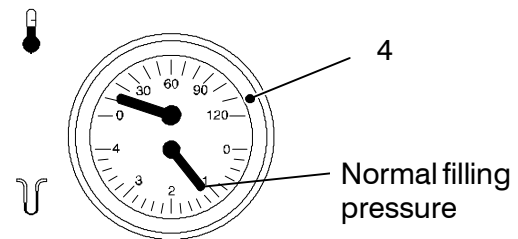


Fig. 2.2

- 3 Close the valves and remove the filling loop.

**If you experience any difficulty with the operation of the boiler, switch off the boiler immediately at the fused spur isolation switch and contact your Installer or an approved Service Engineer**

Air introduced into the boiler during this filling process will vent through the automatic air purger fitted to the boiler. You may also find it necessary to vent air from your radiator circuit using your radiator key, however be aware that excessive venting will cause the pressure in the system to drop.

Always ensure that the pressure gauge is set at the required pressure.



### 2.3 Ignition

- 1 Check that the valves located in the lower part of the boiler are open (Fig. 2.3).

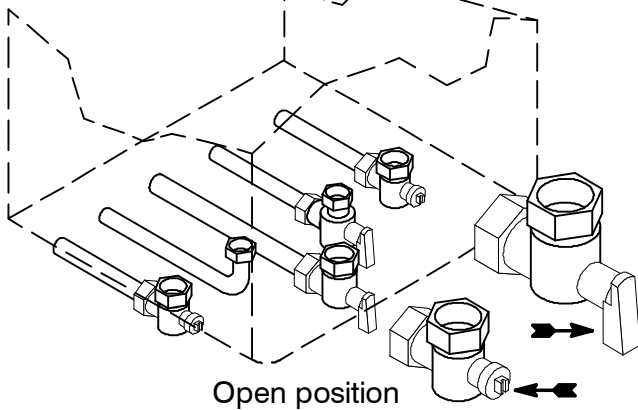


Fig. 2.3

- 2 Turn on the electricity supply to the boiler, switching on the fused spur isolation switch. The appliance operation light 10 (Fig. 2.4) will flash every 4 seconds (stand-by condition).
- 3 If the boiler is to be used for c.h. and d.h.w. position the function selector 8 as in Fig. 2.4. The appliance operation light 10 will flash every 2 seconds (operating boiler).

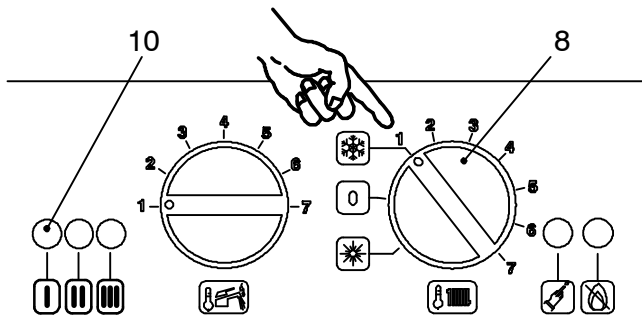


Fig. 2.4

- 4 If d.h.w. supply only is required (combi), position the function selector 8 as in Fig. 2.5. The appliance operation light 10 will flash every 2 seconds (operating boiler).

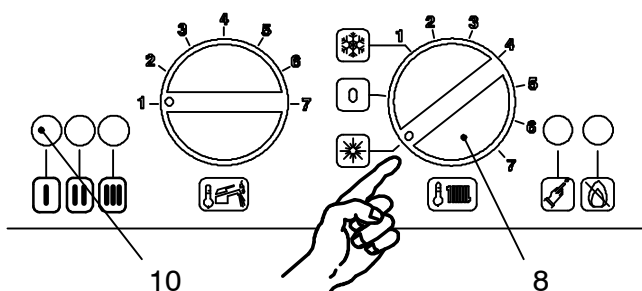


Fig. 2.5

### 2.4 C.h. circuit temperature

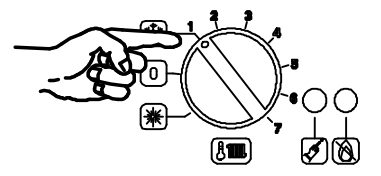
The output temperature of c.h. water is adjustable from a minimum of about 38°C to a maximum of about 85°C (Fig. 2.6), by turning the function selector (8).

Adjustment of c.h. output on the boiler is automatic. The greatest output pre-set in the factory can, however, be reduced in level according to actual system requirements; this does not affect the maximum output in d.h.w. operation.

Such adjustments must be carried out by a qualified person; therefore we advise you to contact your installer or Service Agent.

Adjustment of the boiler temperature alters the gas flow at the burner according to the thermal demand in the system. So it is usual to see the burner lit at the minimum level for more or less long periods.

Minimum



Maximum

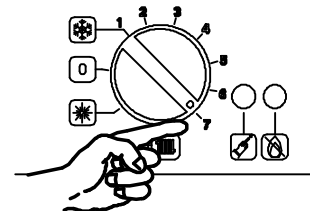


Fig. 2.6

#### Adjustment

In order to achieve optimal settings for economy and comfort, we recommend adjusting the operating temperature of the c.h. water according to the outside temperature, positioning the knob as follows:

From 5 to 15 °C

Between -5 and +5 °C

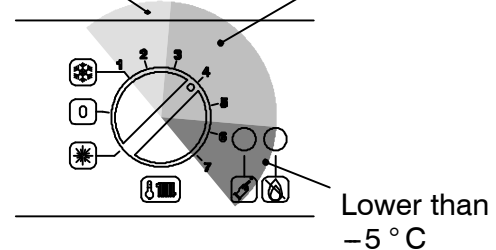


Fig. 2.7

## Instructions for use

USE

Your qualified installer will be able to recommend the most suitable adjustment for your system.

The temperature and pressure gauge (4, Fig. 1.3 on page 2) will allow you to check that the set temperature is obtained.

### 2.5 D.h.w. temperature

The temperature of the d.h.w. leaving the boiler can be varied from a minimum of about 35°C to a maximum of about 55°C (Fig. 2.8), by turning the temperature control knob 9.

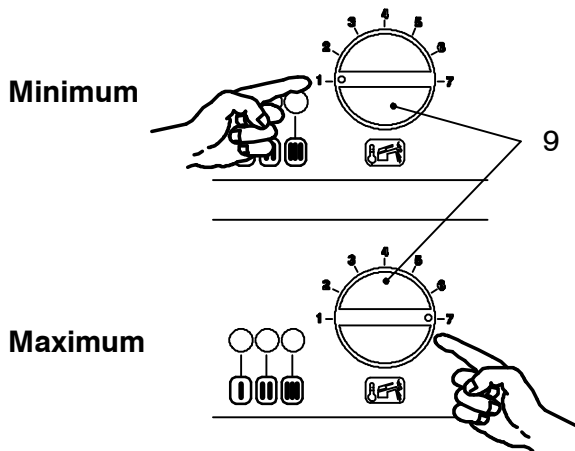


Fig. 2.8

Adjustment of the d.h.w. temperature is completely separate from that of the c.h. circuit.

The adjustment system integrated within the boiler automatically controls the flow of gas to the burner in order to keep the temperature of d.h.w. delivered constant, between the limits of maximum and minimum output.

Where the demand is at a low level or with the temperature set to the minimum, it is normal to see a cycle of lighting and extinguishing of the burner when running.

#### Adjustment

It is advisable to adjust the d.h.w. temperature to a level commensurate with the demand, minimising the need to mix with cold water. In this way, the automatic control facilities will be fully exploited.

Moreover, where the amount of limescale present in the water may be particularly great, not exceeding the position in **Fig. 2.9** of the d.h.w. temperature control knob 9 corresponding to about 50°C

(Fig. 2.9), minimises annoying incidences of scale deposits and clogging.

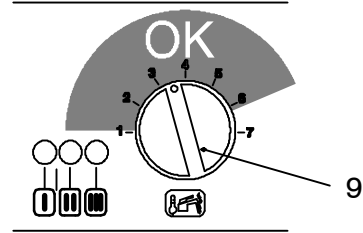


Fig. 2.9

In these cases, however, it is advisable to install a small water treatment device or softener. With such a device you should avoid periodic descaling.

Consequently, the d.h.w. heat exchanger will keep its performance consistent for a longer period of time with resulting gas savings.

If the demand for d.h.w. is so great as to prevent reaching a high enough temperature, have the appropriate output limiting valve installed by your installer or an Authorised Service Engineer.

### 2.6 Extinguishing

To turn the boiler off set the function selector 8 to the position shown in Fig. 2.10.

The appliance operation light 10 will flash every 4 seconds.

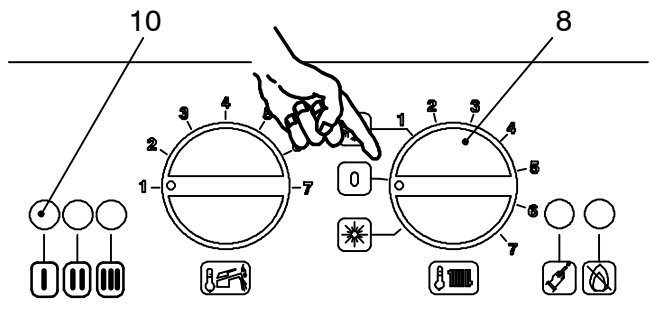


Fig. 2.10

When you do not expect to use the boiler for a long period:

- 1 Switch off the electricity supply to the boiler, by means of the fused spur isolation switch;
- 2 Shut off the gas supply cock 14 and the valves for the water circuits fitted under the boiler (Fig. 2.11).

## Instructions for use

- 3 Empty the water circuits, if necessary, as shown in the *installation instructions* in the section *maintenance*.

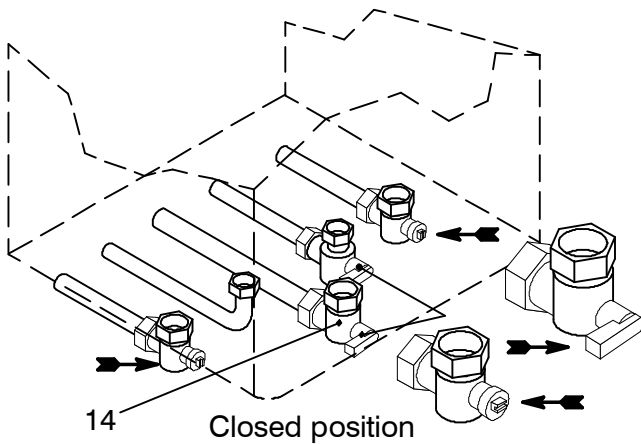


Fig. 2.11

### 2.7 Built in time switch

The combi boilers are equipped with a built in electronic time switch (5, Fig. 1.3 on page 2) which controls the c.h. operation.

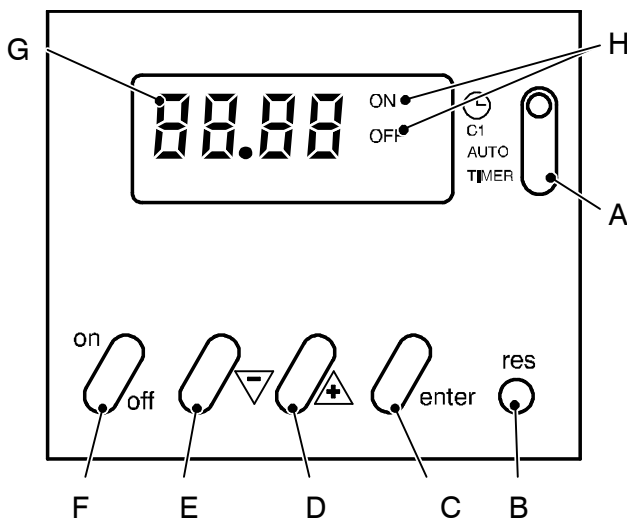



Fig. 2.12

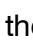
#### Display and control panel

- A Mode selector switch
- B Reset button
- C Enter button
- D Increase “+” setting button
- E Decrease “-” setting button
- F On-off button

- G Time display
- H ON-OFF display

#### Setting the current time

Note: with a new unit or when the reset button B has been pressed and the selector switch A is to the  position, the time display G is flashing.

Set the mode selector switch A to the  position and press the buttons D or E until the current time appears in the display G.

The clock starts by moving the switch A to the AUTO position.

Setting example shown in Fig. 2.13:  
Current time 16.30.



Fig. 2.13

#### Setting the switching time

20 memory locations are available, corresponding to 10 on-off sequences.

Set the mode selector switch A to the C1 position. The symbols shown in Fig. 2.14 appears in the display.

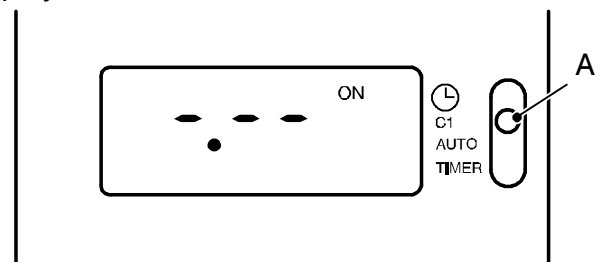


Fig. 2.14

Press the buttons D or E to set the desired ON time.

Press the “enter” button C to confirm the setting and to continue programming the OFF time.

Set the OFF time as explained above for the ON setting and confirm by pressing the “enter” button C. Proceed in the same way for other settings.

## Instructions for use

USE

Setting example shown in Fig. 2.15:

A – ON time 7.45.

B – OFF time 10.30.

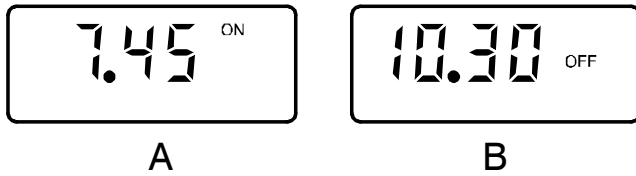


Fig. 2.15

### Activating the timed settings

Set the mode selector switch A to the **AUTO** position shown in Fig. 2.16.

The current time appears in the display. The ON – OFF display H indicates the current state of operation (according to the settings).

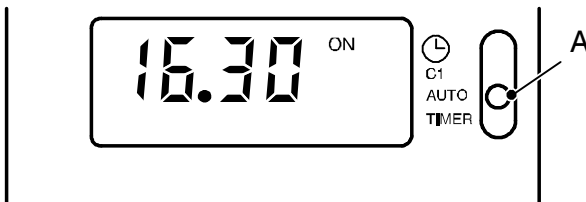


Fig. 2.16

Note: when the mode selector switch A is in the **AUTO** position and the boiler is switched off at the fused spur isolation switch, the display H indicates only the OFF state. The other indications are blanked.

### Reading the timed settings

Set the mode selector switch A to the **C1** position. The symbols shown in Fig. 2.14 appears in the display.

Press the “enter” button C. Each time the button is pressed the display shows the details of the next setting.

### Changing or deleting the timed settings

Set the mode selector switch A to the **C1** position. The symbols shown in Fig. 2.14 appears in the display.

Press the “enter” button C until the display shows the setting to be modified or deleted.

The time setting can be modified now by pressing button D or E and the operation can be switched on or off by pressing the button F.

To delete a time set press the button D or E until the symbols shown in Fig. 2.14 appears in the time display G.

The new settings are memorized by moving the switch A to a different position.

### Manual operation

The operation of the time switch can be forced on or off constantly or for a timed period.

To force **constantly** on or off the timer operation set the mode selector switch A to the **TIMER** position. The symbols shown in Fig. 2.17 appears on the display.

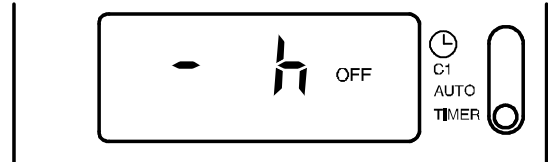


Fig. 2.17

The operation can be switched permanently on or off by pressing the button F and leaving the switch A in the **TIMER** position.

To force a **timed delay** on or off operation, set the mode selector switch A in the **TIMER** position.

Set the time delay by pressing the button D or E and the operation can be forced on or off by pressing the button F.

The time delay can be set within the following ranges:

1 to 23 hours with steps of 1 hour

1 to 27 days with steps of 1 day

The time delay setting is activated by moving the switch A to the **AUTO** position.

The ON – OFF display H flashes indicating that the current state of operation has been forced.

To delete the timed delay setting, set the mode selector switch A in the **TIMER** position, press the button D or E until the symbols shown in Fig. 2.17 appears in the display and then set the mode selector switch A to the **AUTO** position

Setting example shown in Fig. 2.18:  
forced ON state for 4 hours.

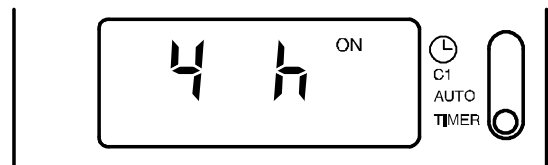


Fig. 2.18

### Resetting

To completely reset the timer, press the reset button with a pointed object (pencil).

**CAUTION:** pushing the reset button will completely erase the settings as well as all the data, including the current time.

## 3 USEFUL ADVICE

### 3.1 Central heating

For reasonably economical service install a room thermostat.

Never shut off the radiator in the area where the room thermostat is installed.

If a radiator (or a convector) does not heat up, check that no air is present in it and that its valve is open.

If the ambient temperature is too high, do not alter the radiator valves. Reduce the central heating temperature instead by means of the room thermostat and the function selector (8 in Fig. 3.1).

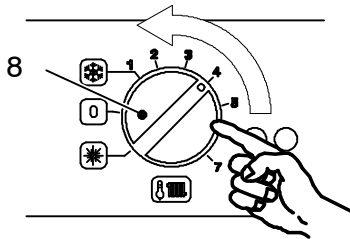


Fig. 3.1

### 3.2 Frost protection

This appliance is provided with a built-in anti-freeze system that operates the boiler when the temperature is below 4 °C

Therefore, when the boiler is not lit and used in cold weather, with consequent risk of freezing **do not switch off the boiler at the fused spur isolation switch or close the gas inlet cock.**

### 3.3 Periodic maintenance

For efficient and continuous operation of the boiler, it is advisable to arrange maintenance and cleaning by an Authorised Service Centre Engineer, at least once a year.

During the service, the most important components of the boiler will be inspected and cleaned. This service can be part of a maintenance contract.

In particular, you are advised to have the following checks carried out:

- primary heat exchanger;
- domestic hot water heat exchanger;
- burner;
- exhaust fume duct and flue;
- pressurisation of the expansion tank;
- filling up of the central heating circuit;
- bleeding of air from the central heating system;
- general check of the appliance's operation.

### 3.4 External cleaning

Before carrying out any cleaning, disconnect the appliance from the electrical mains, using the fused spur isolation switch fitted adjacent to the appliance.

To clean the external panels, use a cloth soaked in soapy water. Do not use solvents, abrasive powders or sponges.

Do not carry out cleaning of the appliance and/or its parts with readily flammable substances (for example petrol, alcohols, naphtha, etc.).

### 3.5 Operational faults

#### If the lock-out signal lamp comes on

this indicates that the safety lock-out 6 (Fig. 3.2) has stopped the boiler

To re-start the boiler, it is necessary to press the boiler reset button 7 (Fig. 3.2).

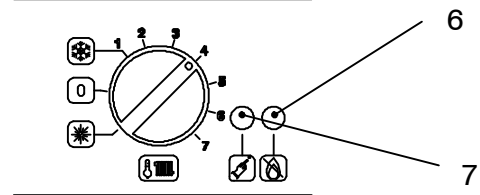


Fig. 3.2

For the first lighting up and following maintenance procedures for the gas supply, it may be necessary to repeat the resetting operation several times so as to remove the air present in the pipework.

Safety lock-out may occur even in case of a blockage of the condensate drainage (e.g. plugged drain pipe).

It is advisable to check the condensate drainage pipe and traps for cleanliness.

In case of persistent lock-out call a competent and responsible service engineer.

#### If noises due to air bubbles are heard during operation...

you should check that the pressure on the temperature and pressure gauge (Fig. 2.2 on page 4) is not below the correct setting.

If required, top up the system correctly, as described in the section 2.2 of this manual.

Bleed any air present in the radiators, if necessary.

#### If the pressure on the temperature and pressure gauge (4 on page 2) has gone down...

---

## Useful advice

---

### USE

it is necessary to top up the appliance with water again, so as to raise the pressure to an adequate level as described in the section 2.2 of this manual.

If topping up with water has to be done very frequently, have the system checked for leaks.

#### **If water comes out of the pressure relief valve**

Check on the temperature and pressure gauge (4 on page 2) that the pressure in the central heating circuit is not close to 3 bars. In this case, temperature rise in the circuit can cause the pressure relief valve to open.

So that this does not happen and to decrease the pressure to a normal value, it is advisable to vent some of the water in the appliance through the bleed valves present in the radiators.

#### **If in time, a reduction in domestic hot water supply is observed...**

The likely causes may be impurities caught in the domestic hot water flow switch filter or limescale deposited in the domestic hot water heat exchanger. It is advisable to have the appliance cleaned out by an Authorised Service Centre Engineer.

#### **If water should occasionally leak from the boiler...**

shut off the valves positioned under the boiler (Fig. 2.11 on page 7) and call an Authorised Service Centre Engineer.

#### **If the left appliance operation light 10 (Fig. 3.3) flashes very quickly the boiler is detecting a fault.**

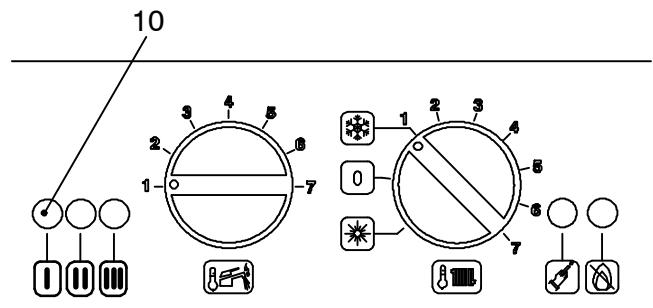


Fig. 3.3

**In this case or in case of problems other than those mentioned here, switch off the boiler, as described in section 2.6 on page 6 and call a competent and responsible service engineer.**

# 4 TECHNICAL INFORMATION

## 4.1 Overview

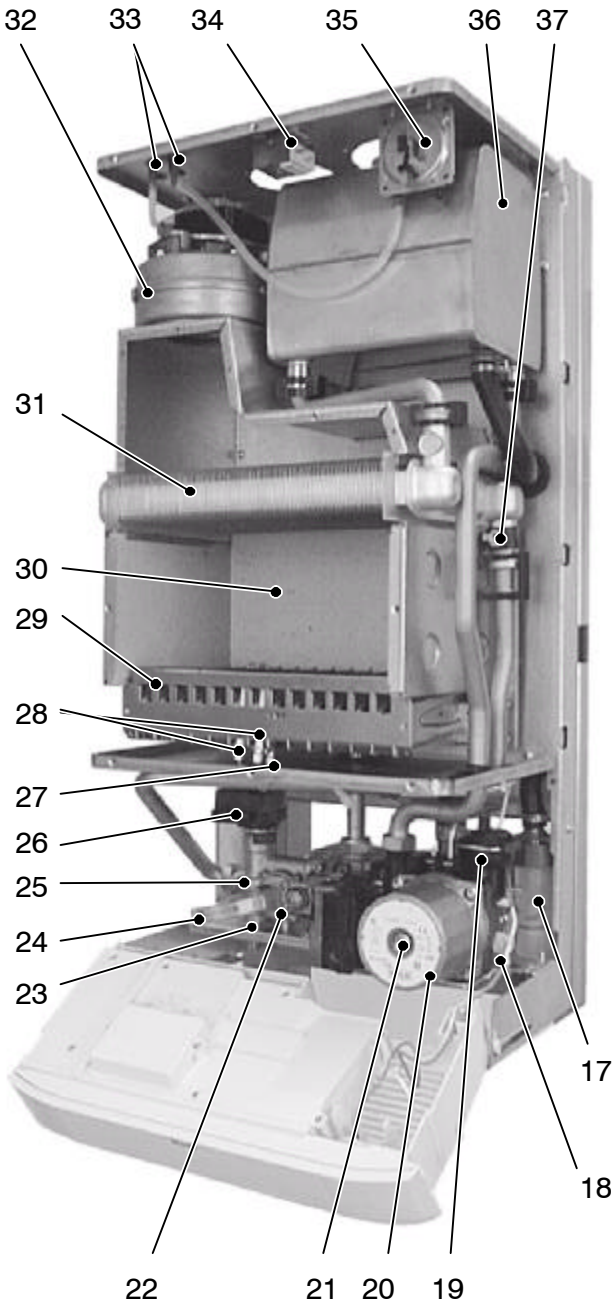


Fig. 4.1

- 11 Condensate drain pipe
- 12 C.h. return valve
- 13 Domestic cold water inlet valve
- 14 Gas inlet valve

- 15 D.h.w. outlet pipe
- 16 C.h. flow valve
- 17 Condensate trap
- 18 Main circuit drain valve
- 19 Automatic air purger valve
- 20 Pump
- 21 Pump vent plug
- 22 Modulation gas valve
- 23 D.h.w. temperature probe NTC
- 24 Primary circuit flow switch
- 25 C.h. temperature probe NTC
- 26 Three-way diverter valve
- 27 Flame-detecting electrode
- 28 Ignition electrodes
- 29 Burner
- 30 Combustion chamber
- 31 Primary heat exchanger
- 32 Fan
- 33 Air switch pressure test points
- 34 Flue thermostat
- 35 Air pressure switch
- 36 Condensing heat exchanger
- 37 Safety thermostat
- 38 D.h.w. flow switch
- 39 C.h. pressure relief valve
- 40 Modulation operator
- 41 Gas valve outlet pressure test point
- 42 Gas valve inlet pressure test point
- 43 D.h.w. heat exchanger
- 44 C.h. expansion tank
- 45 By-pass valve
- 46 Venturi device
- 47 Domestic water circuit filter
- 48 D.h.w. flow limiter
- 49 Flue outlet pipe
- 50 Air intake pipe

4.2 Main diagram

INSTALLATION

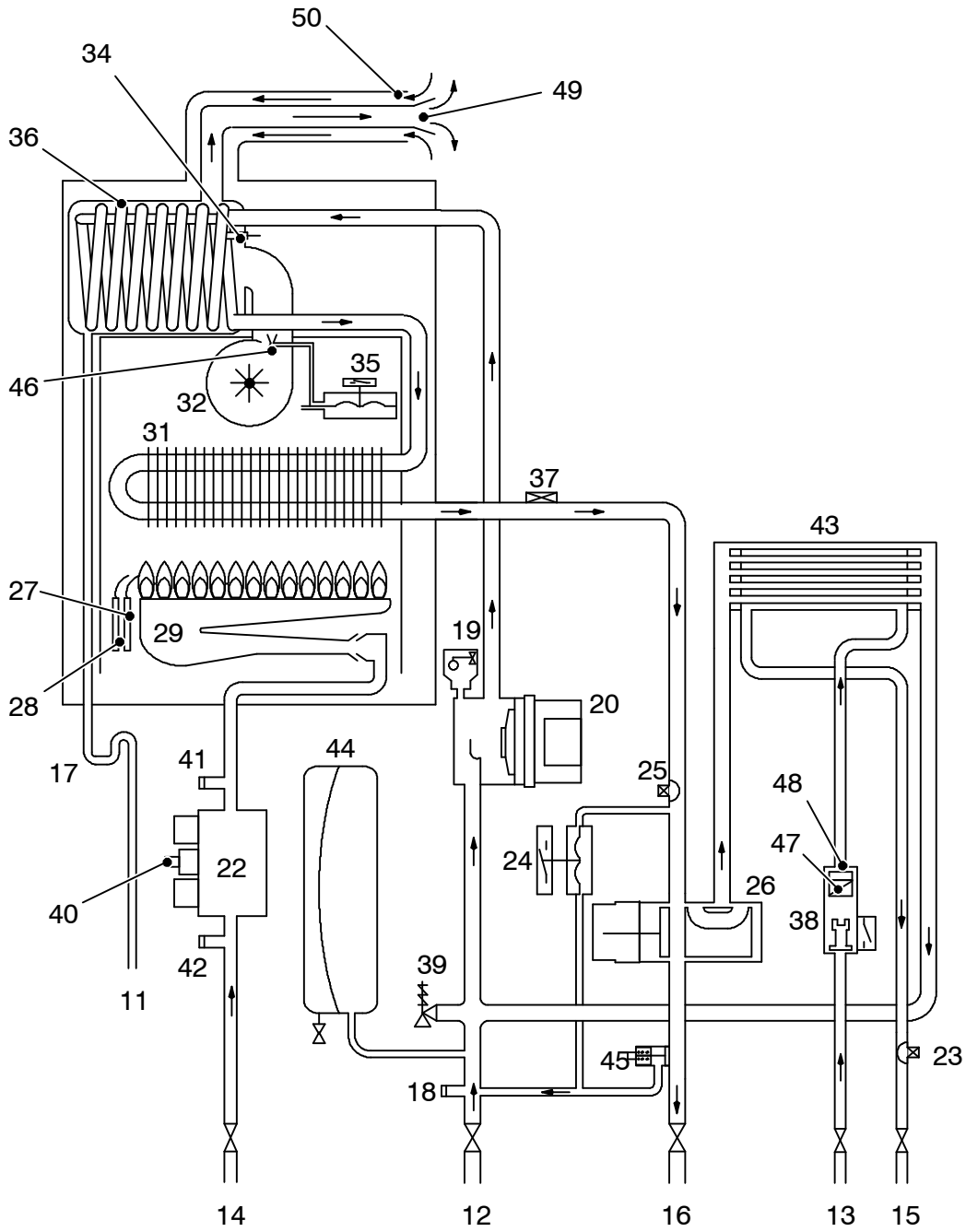


Fig. 4.2



### 4.3 Hydraulic specifications

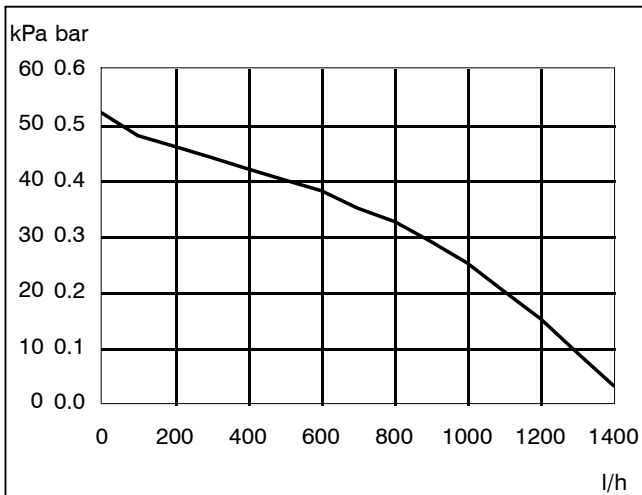


Fig. 4.3

The hydraulic specifications in Fig. 4.3 represent the pressure (available head for the central heating system) as a function of the flow rate.

The load loss due to the boiler has already been subtracted.

#### Output with thermostat cocks shut off

The boiler is fitted with an automatic by-pass valve (45 on page 11), which protects the primary heat exchanger.

In case of excessive reduction or total blockage of water circulation in the central heating system owing to closure of the thermostatic valves or sys-

tem component cocks, the by-pass valve ensures a minimum flow of water through the primary heat exchanger.

### 4.4 Expansion vessel

**Note: this boiler is designed for operation only in a sealed central heating system**

The height difference between the pressure relief valve and the highest point in the system may be 7m at most.

For greater differences, increase the pre-load pressure in the expansion vessel (44 on page 11) and the system, when cold, by 0.1 bar for each additional 1m.

Capacity	l	6,0
Pre-load pressure	kPa	100
	bar	1,0
Maximum volume of water in the system *	l	132

Tab. 4.1

\* Where conditions are:

- Average maximum temperature of the system is 80°C
- Initial temperature when filling up the system is 10°C

For systems with volumes greater than 132 l, an additional expansion vessel must be provided.

INSTALLATION

**4.5 Technical data  
mod. M96.24SM/...**

**INSTALLATION**

Heat input (A)		
Nominal	kW	25,0
	BTU/h	85 295
Minimum	kW	11,0
	BTU/h	37 530

Useful output G20		
Maximum	kW	24,6
	BTU/h	83 973
Minimum	kW	10,2
	BTU/h	34 936
Maximum condensing	kW	26,6
	BTU/h	90 754
Minimum condensing	kW	11,1
	BTU/h	37 871

Useful output G30 G31		
Maximum	kW	23,7
	BTU/h	80 894
Minimum	kW	10,2
	BTU/h	34 936
Maximum condensing	kW	26,6
	BTU/h	90 754
Minimum condensing	kW	10,8
	BTU/h	36 997

Central heating		
Maximum flow temp.	°C	85
Minimum flow temp.	°C	38
Minimum return temp.	°C	30
Maximum pressure	kPa	300
	bar	3
Minimum pressure	kPa	30
	bar	0,3
Available head (in 1000 l/h)	kPa	25
	bar	0,25
Seasonal efficiency G20 (B)	band	B
	%	87,7
Seasonal efficiency G30 G31 (B)	band	B
	%	86,9

Domestic hot water		
Maximum temperature	°C	55
Minimum temperature	°C	35
Maximum pressure	kPa	1 000
	bar	10
Minimum pressure	kPa	30
	bar	0,3
Flow rate		
minimum	l/min	2,5
30° rise (C)	l/min	12,1
35° rise (C)	l/min	10,1
40° rise (C)	l/min	8,7

Gas supply pressures				
Gas		Natural G20	Butane G30	Propane G31
Norm.	Pa	2 000	2 900	3 700
	mbar	20	29	37
Max	Pa	2 500	3 500	4 500
	mbar	25	35	45
Min.	Pa	1 700	2 000	2 500
	mbar	17	20	25
1 mbar approximately equals 10 mm H <sub>2</sub> O				

(A) referred to the net calorific value at 15 °C and 1013,25 mbar  
G 20 = 34,02 MJ/m<sup>3</sup>, G 30 = 45,6 MJ/kg, G 31 = 46,4 MJ/kg

(B) The value is used in the UK Government's Standard Assessment Procedure (SAP) for energy rating of dwellings. The test data from which it has been calculated have been certified by a notified body.

(C) Values subject to tolerance

## Technical information

Gas pressures at the burner				
Gas		Natural G20	Butane G30	Propane G31
Max.	Pa <i>mbar</i>	1080 <i>10,8</i>	2800 <i>28,0</i>	3550 <i>35,5</i>
Min.	Pa <i>mbar</i>	150 <i>1,5</i>	550 <i>5,5</i>	770 <i>7,7</i>
Ignition	Pa <i>mbar</i>	600 <i>6,0</i>	1200 <i>12,0</i>	1300 <i>13,0</i>
1 mbar approximately equals 10 mm H <sub>2</sub> O				

Gas rate				
Gas		Natural G20 m <sup>3</sup> /h	Butane G30 kg/h	Propane G31 kg/h
Max.		2,65	1,97	1,94
Min.		1,16	0,87	0,85

Injectors	
Natural G20	130
Butane G30	75
Propane G31	75

Electrical Data		
Voltage	V~	230
Frequency	Hz	50
Power consumption	W	140
Protection degree		IPX4D
External fuse rating	A	3
Internal fuse rating	A	1,6 T

Flue design		
Flue pipe diameter		
Coaxial	mm	60/100
Twin split pipes	mm	80
Roof	mm	80/125
Nominal heat flow rate (A)(D)	kW	25,0
Exhaust temperature (D)	°C	90
Smoke production (D)	kg/h	68

Flue gas figures		
Nominal heat input (A)(D)	kW	25,0
CO <sub>2</sub> content	%	6,4
O <sub>2</sub> content	%	11,1
CO content	ppm	50
Exhaust temperature (D)	°C	90

Other specifications		
Height	mm	803
Width	mm	400
Depth	mm	350
Weight (dry)	kg	42,5
Water volume in the boiler (up to 1 bar)	l (kg)	2,1

INSTALLATION

(D) Values refer to tests with a 1 m chimney working at the nominal heat input

**4.6** Technical data mod.  
M96.28SM/...

**INSTALLATION**

Heat input (A)		
Nominal	kW	29,0
	BTU/h	98 942
Minimum	kW	13,0
	BTU/h	44 353

Useful output G20		
Maximum	kW	28,3
	BTU/h	96 488
Minimum	kW	12,1
	BTU/h	41 284
Maximum condensing	kW	30,7
	BTU/h	104 602
Minimum condensing	kW	13,2
	BTU/h	44 965

Useful output G30 G31		
Maximum	kW	27,4
	BTU/h	93 599
Minimum	kW	12,1
	BTU/h	41 284
Maximum condensing	kW	30,7
	BTU/h	104 602
Minimum condensing	kW	12,9
	BTU/h	44 016

Central heating		
Maximum flow temp.	°C	85
Minimum flow temp.	°C	38
Minimum return temp.	°C	30
Maximum pressure	kPa	300
	bar	3
Minimum pressure	kPa	30
	bar	0,3
Available head (in 1000 l/h)	kPa	25
	bar	0,25
Seasonal efficiency G20 (B)	band	B
	%	87,5
Seasonal efficiency G30 G31 (B)	band	B
	%	87,0

Domestic hot water		
Maximum temperature	°C	55
Minimum temperature	°C	35
Maximum pressure	kPa	1 000
	bar	10
Minimum pressure	kPa	30
	bar	0,3
Flow rate		
minimum	l/min	2,5
30° rise (C)	l/min	14,0
35° rise (C)	l/min	11,7
40° rise (C)	l/min	10,1

Gas supply pressures				
Gas		Natural G20	Butane G30	Propane G31
Norm.	Pa	2 000	2 900	3 700
	mbar	20	29	37
Max	Pa	2 500	3 500	4 500
	mbar	25	35	45
Min.	Pa	1 700	2 000	2 500
	mbar	17	20	25
1 mbar approximately equals 10 mm H <sub>2</sub> O				

(A) referred to the net calorific value at 15 °C and 1013,25 mbar

G 20 = 34,02 MJ/m<sup>3</sup>, G 30 = 45,6 MJ/kg, G 31 = 46,4 MJ/kg

(B) The value is used in the UK Government's Standard Assessment Procedure (SAP) for energy rating of dwellings. The test data from which it has been calculated have been certified by a notified body.

(C) Values subject to tolerance

## Technical information

Gas pressures at the burner				
Gas		Natural G20	Butane G30	Propane G31
Max.	Pa <i>mbar</i>	1000 <i>10,0</i>	2800 <i>28,0</i>	3600 <i>36,0</i>
Min.	Pa <i>mbar</i>	160 <i>1,6</i>	590 <i>5,9</i>	770 <i>7,7</i>
Ignition	Pa <i>mbar</i>	600 <i>6,0</i>	1200 <i>12,0</i>	1300 <i>13,0</i>
1 mbar approximately equals 10 mm H <sub>2</sub> O				

Gas rate				
Gas		Natural G20 m <sup>3</sup> /h	Butane G30 kg/h	Propane G31 kg/h
Max.		3,07	2,29	2,25
Min.		1,28	1,03	1,01

Injectors	
Natural G20	130
Butane G30	75
Propane G31	75

Electrical Data		
Voltage	V~	230
Frequency	Hz	50
Power consumption	W	160
Protection degree		IPX4D
External fuse rating	A	3
Internal fuse rating	A	1,6 T

Flue design		
Flue pipe diameter		
Coaxial	mm	60/100
Twin split pipes	mm	80
Roof	mm	80/125
Nominal heat flow rate (A)(D)	kW	29,0
Exhaust temperature (D)	°C	90
Smoke production (D)	kg/h	76

Flue gas figures		
Nominal heat input (A)(D)	kW	29,0
CO <sub>2</sub> content	%	6,8
O <sub>2</sub> content	%	10,7
CO content	ppm	75
Exhaust temperature (D)	°C	90

Other specifications		
Height	mm	803
Width	mm	400
Depth	mm	350
Weight (dry)	kg	44,5
Water volume in the boiler (up to 1 bar)	l (kg)	2,2

INSTALLATION

(D) Values refer to tests with a 1 m chimney working at the nominal heat input

## 5 GENERAL REQUIREMENTS

Biasi UK Ltd support the Benchmark initiative. Within the information pack, you will find a Benchmark Log Book. It is very important that this is completed correctly at the time of installation, commissioning and hand over to the user.

**This appliance must be installed by a competent person in accordance with the Gas Safety (Installation & Use) Regulations.**

### INSTALLATION

#### 5.1 Related documents

The installation of this appliance must be in accordance with the relevant requirements of the current Gas Safety (Installation & Use) Regulations, the Local Building Regulations, the current I.E.E. Wiring Regulations, the Regulations and by-laws of the local water undertaking, and in Scotland, in accordance with the Building Standards (Scotland) Regulation. Health and safety document n° 635 "Electricity at work regs."

It should also be in accordance with the British Standard Codes of Practice:

#### 5.2 Location of appliance

The appliance may be installed in any room or internal space, although particular attention is drawn to the requirements of the current I.E.E. Wiring Regulations, and in Scotland, the electrical provisions of the Building Regulations applicable in Scotland, with respect to the installation of the combined appliance in a room containing a bath or shower.

**Where a room-sealed appliance is installed in a room containing a bath or shower, any electrical switch or appliance control, utilising mains electricity should be so situated that it cannot be touched by a person using the bath or shower.**

The location must permit the provision of an adequate flue and termination.

For unusual locations special procedures may be necessary and BS 6798 gives detailed guidance on this aspect.

A compartment used to enclose the appliance must be designed specifically for this purpose.

This appliance is not suitable for external installation.

#### 5.3 Flue system

The provision for satisfactory flue termination must be made as described in BS 5440 part 1.

The appliance must be installed so that the flue terminal is exposed to external air.

It must not be installed so that the terminal discharges into an other room or space as an out-house or lean-to. It is important that the position of the terminal allows a free passage of air across at all times.

The terminal should be located with due regard for the damage or discoloration that might occur to building products in the vicinity.

In cold and/or humid weather water vapour may condense on leaving the flue terminal; the effect of such "steaming" must be considered.

Plumbing may easily occur at the terminal. Where possible, terminal position which could cause a nuisance should be avoided.

The minimum acceptable spacing from the terminal to obstructions and ventilation openings are specified in Fig. 5.1.

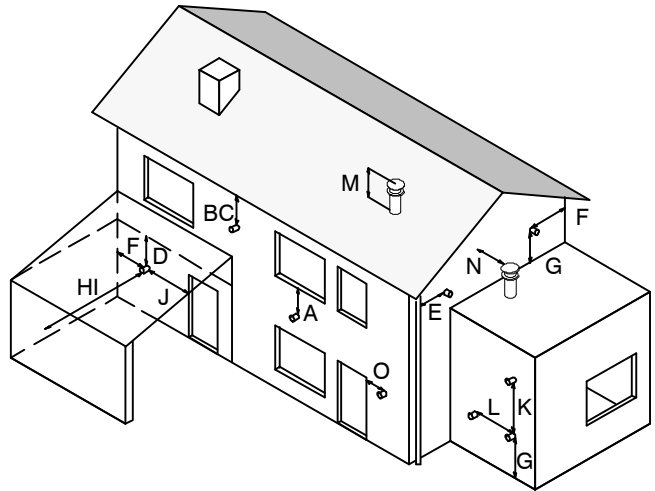


Fig. 5.1

Terminal position	mm
A . Directly below a window or other opening . . . . .	300
B . Below gutters, soil pipes or drain pipes . . . . .	75
C . Below eaves . . . . .	200
D . Below balconies or car port roof . . . . .	650
E . From vertical drain pipes and soil pipes . . . . .	75
F . From internal or external corners . . . . .	300
G . Above ground or balcony level . . . . .	300
H . From a surface facing a terminal . . . . .	600
I . From a terminal facing a terminal . . . . .	1 200
J . From an opening in the car port (e.g. door, window) into dwelling . . . . .	1 200

## General requirements

K .	Vertically from a terminal in the same wall .	1 500
L .	Horizontally from a terminal in the same wall .	300
	<i>Table follows in next page</i>	
M	Above the roof pitch with roof slope less than or equal to 30° . . . . .	600
	Above the roof pitch with roof slope more than 30° . . . . .	1 000
N .	From wall face . . . . .	600
O .	From an opening . . . . .	300

\* specific manufacturer requirements

### 5.4 Gas supply

The Gas meter is connected to the service pipe by the local gas region or a local gas region contractor.

If the gas supply for the boiler serves other appliances ensure that an adequate supply is available both to the boiler and the other appliance when they are in use at the same time.

Pipework must be of adequate size. Pipes of a smaller size than the boiler inlet connection should not be used.

Installation pipes should be fitted in accordance with BS 6891 and the complete installation should be tested for soundness.

### 5.5 Air supply

The room in which the boiler is installed does not require a purpose provided air vent.

### 5.6 Ventilation

If installed in a cupboard or compartment, it is not necessary to provide additional ventilation for cooling for this particular product. However consideration must be given to clearance requirements for maintenance (see section 6.2) and under no circumstances must stored articles be allowed to come into contact with the boiler or flue pipe.

### 5.7 Condensate drain

Ensure that the condensate discharge complies with the national or local regulations in force.

The condensate pipe must be fitted in accordance with Building Regulations.

Drainpipe material should be resistant to acid as the condensate is slightly acid with a pH less than 6.5.

The boiler includes a trap (17 on page 11) that prevents the combustion products entering the drain, however an additional trap with a seal of at least 75 mm and an air break between the traps is required (Fig. 5.2).

The length of the condensate pipe should be kept at minimum.

To avoid condensate being trapped:

- the drainpipe should be run with a fall of at least 2.5° (45 mm/m) away from the boiler;
- the number of bends and joints should be kept at minimum;
- the drainpipe should be adequately fixed to prevent pipe sagging.

If a part of the drainpipe runs externally this part should be kept as short as possible and protected to reduce the risk of freezing.

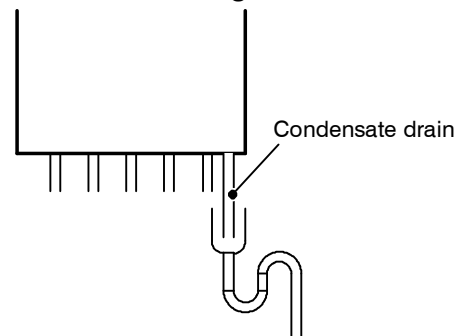


Fig. 5.2

### 5.8 Water circulation (c.h.)

Detailed recommendations are given in BS 6798 and BS 5449; the following notes are given for general guidance.

#### Pipework

The return temperature must not be lower of 30 °C.

Copper tubing to BS EN 1057 is recommended for water pipes. Jointing should be either with capillary soldered or with compression fittings.

Where possible pipes should have a gradient to ensure air is carried naturally to air release points and water flows naturally to drain taps.

The appliance has a built-in automatic air release valve, it should be ensured as far as possible that the appliance heat exchanger is not a natural collecting point for air.

## General requirements

Except where providing useful heat, pipes should be insulated to prevent heat loss and to avoid freezing.

Particular attention should be paid to pipes passing through ventilated spaces in roofs and under floors.

### By-pass

The appliance includes an automatic by-pass valve which protects the main heat exchanger in case of reduced or interrupted water circulation through the heating system due to the closing of thermostatic valves or cock-type valves within the system.

The by-pass is calibrated to assure a minimum flow of 500–600 lts/hr through the main heat exchanger.

If you are installing a system that includes thermostatic radiator valves (TRV) and/or small bore (8–10 mm) it may be necessary to fit an external by-pass to facilitate correct operation of the boiler.

### Air release points

These must be fitted at all high points where air will naturally collect and must be sited to facilitate complete filling of the system.

### Expansion vessel

The appliance has an integral sealed expansion vessel to accommodate the increase of water volume when the system is heated.

Refer to Tab. 4.1 on page 13 for its technical data.

If the heating circuit has an unusually high water content, calculate the total expansion and add an additional sealed expansion vessel with adequate capacity.

### Mains water feed: central heating

There must be no direct connection to the mains water supply even through a non return valve, without the approval of the Local Water Authority.

### Mains water feed: hot water supply

The domestic section of the boiler is designed to withstand an internal domestic water pressure of 10 bar. Where it is likely that the mains domestic water pressure may exceed 5 bar, it is possible due to internal “water hammer” effects that the pressure within the domestic system can increase to a level in excess of the 10 bar limit.

In these circumstances it is therefore recommended that a 3 bar pressure reducing valve be fitted to the incoming mains water supply and a

mini expansion vessel installed on the domestic circuit.

These devices will protect the boiler and the domestic system from damage due to excessive domestic water pressure.

### Filling

A method for initially filling the system and replacing water lost during servicing must be provided and it must comply with local water authority regulations.

The correct method is shown in Fig. 5.3.

**The temporary connection must be removed immediately after filling.**

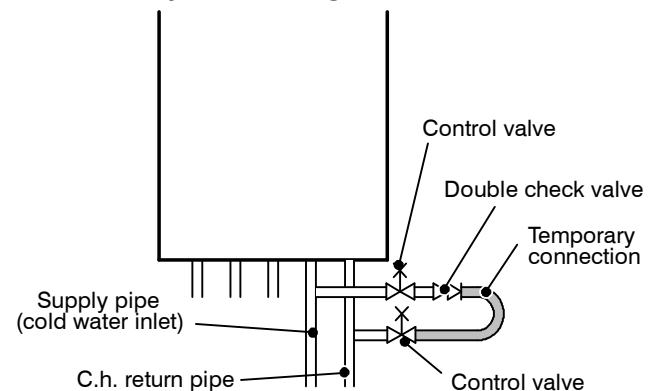


Fig. 5.3

The installer should ensure that no leaks exist either inside the boiler or on the system as frequent filling of the system could cause premature scaling of the heat exchanger.

## 5.9 Domestic water

The domestic water installation must be in accordance with the relevant recommendations of BS 5546. Copper tubing to BS EN 1057 is recommended for water carrying pipework and must be used for pipework carrying potable water.

## 5.10 Water treatment

### Central heating circuit

Where a new boiler is fitted to a new system with either plastic or copper pipes, it is important the system is fully flushed, on completion, to ensure flux residues, swarfs, oils and other installation debris is removed.

Where a new boiler is fitted to an existing system, it is important the debris from the existing system is fully removed in order to ensure the efficiency of the new appliance is maintained.



---

## General requirements

---

Details on flushing procedure are given in the section 7.4 of this manual.

### **Domestic hot water circuit (scale protection)**

In areas where the water is 'hard' (i.e. more than 200 ppm total hardness as defined by BS 7593: 1993 Table 2) it is recommended that a proprietary scale-reducing device is fitted into the boiler cold supply, within the requirements of the local water company.

### **5.11 Electrical supply**

**Warning, this appliance must be earthed.**

External wiring to the appliance must be carried out by a competent person and be in accordance

with the current I.E.E. Regulations and any local regulations which apply.

The boiler is supplied for connection to a 230 V~ 50 Hz supply. The supply must be fused at 3A.

The method of connection to the electricity supply must facilitate complete electrical isolation of the appliance by the use of a fused double pole isolator having a contact separation of at least 3 mm between poles or alternatively, by the use of a 3A fused three pin plug and unswitched shuttered socket outlet both complying with BS 1363.

The point of connection to the electricity supply must be readily accessible and adjacent to the appliance except where the appliance is installed in a bathroom this must then be sited outside the bathroom.

## 6 INSTALLATION

### 6.1 Warnings

**The use of gas appliances is subject to statutory control; it is essential to observe the current regulations and laws in force (see also chapter 5).**

The appliance must discharge combustion products directly outside or into a suitable exhaust duct designed for this purpose.

Combustion products must be discharged using original flue kits only, since they are integral parts of the boiler.

For LPG, the appliance must also conform with the requirements of the distributors and comply with current Regulations and laws in force.

The safety relief valve and the condensate drain must be connected to a suitable drain, or discharge in a safe manner.

The electrical wiring must conform with current Regulations, in particular:

- the boiler **must** be earthed using the correct bonding clamp.
- a fused spur isolation switch, with a gap of at least 3 mm between the contacts must be installed near to the boiler. Refer to section 6.9 in this chapter for the electrical connections.

**In no circumstances will the manufacturer be held responsible if the warnings and instructions contained in this manual have not been complied with.**

### 6.2 Precautions for installation

For the installation proceed as follows:

- The boiler must be fixed to a strong wall.
- The dimensions for the exhaust fume duct detailed in section 6.7 and the correct procedures for installing the duct, depicted in the instruction leaflet included with the flue kit, must be complied with during installation.
- To allow maintenance procedures it is necessary to leave the minimum gaps indicated in Fig. 6.1.

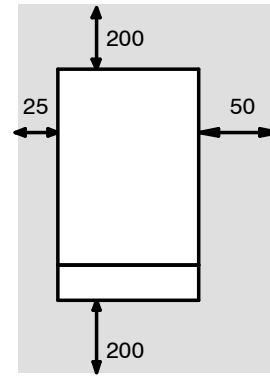


Fig. 6.1 (all dimensions in mm)

- When installing the boiler in a cupboard, cover or alcove allow at least 50mm permanent clearance from the front face of the boiler. Also ensure sufficient clearance to allow free access for servicing and the lowering of the front control panel.
- If the boiler is installed outside, cover the appliance to protect it against the elements and add some special anti-freeze (neutralised) to the c.h. system.
- Before installing the boiler on an existing c.h. system, flush it out thoroughly before fitting the boiler, so as to remove muddy deposits.
- It is advisable to equip the system with a sediment filter, or use a water-treatment product in the circulating water.  
The latter option in particular, not only cleans out the system, but also has an anti-corrosive effect by promoting formation of a protective skin on metal surfaces and neutralising gases present in the water.  
We recommend the use of a suitable universal inhibitory to protect the c.h. system from corrosion.

### 6.3 Installing the bracket

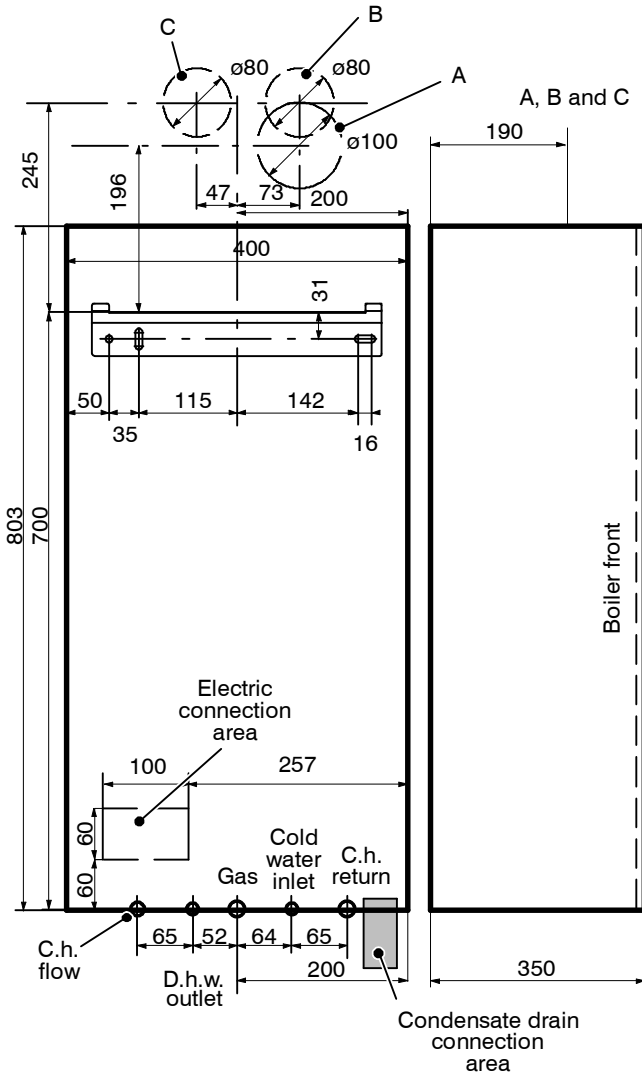
#### Precautions

Before mounting the bracket, check that the dimensions for fitting the exhaust fume duct are complied with (refer to the leaflet included with the flue kit, packed separately).

## Installation

Utilise the paper template supplied with the boiler to determine the fixing position for the bracket and boiler. Securely mount the bracket to the wall using appropriate fixings suitable for the type of wall construction and capable of supporting the total (wet) load. Refer to the weight given in the technical data tables specific for each model.

### 6.4 Overall dimensions



- A – air intake/flue outlet pipe (co-axial)
- B – flue outlet pipe  $\varnothing$  80 mm (twin kit)
- C – air intake pipe  $\varnothing$  80 mm (twin kit)

Fig. 6.2 (all dimensions in mm)

### 6.5 Joints

Functions	Pipe sizes (o.d)
Gas, c.h. return, c.h. flow	$\varnothing$ 22
D.c.w. inlet	$\varnothing$ 15
D.h.w. outlet	$\varnothing$ 15
Pressure relief valve	$\varnothing$ 15
Condensate drain	$\varnothing$ 25 (plastic)
* not present on c.h. only boilers	

Tab. 6.1 (sizes in mm o.d.)

### 6.6 Mounting the boiler

- 1 Take the protective caps off the boiler pipe-work.
- 2 Thoroughly clean the connections.
- 3 Mount the boiler on its bracket.
- 4 Fix the c.h. valves A and gas cock B ( $\frac{3}{4}$ " ) to the boiler using the  $\frac{3}{4}$ " gaskets (Fig. 6.3)
- 5 Fix the  $\varnothing$  22 mm pipes C (c.h. circuit) to the c.h. valves A and the  $\varnothing$  22 mm pipe D (gas) to the cock B using the  $\frac{3}{4}$ " gaskets.
- 6 Repeat the above procedure for the d.c.w. inlet utilising the  $\frac{1}{2}$ " cold water inlet valve E, the  $\varnothing$  15 mm copper tail F with its connection nut and two  $\frac{1}{2}$ " gaskets.
- 7 Fix the  $\varnothing$  15 mm copper tail G with the  $\frac{1}{2}$ " connection nut and a  $\frac{1}{2}$ " gasket.

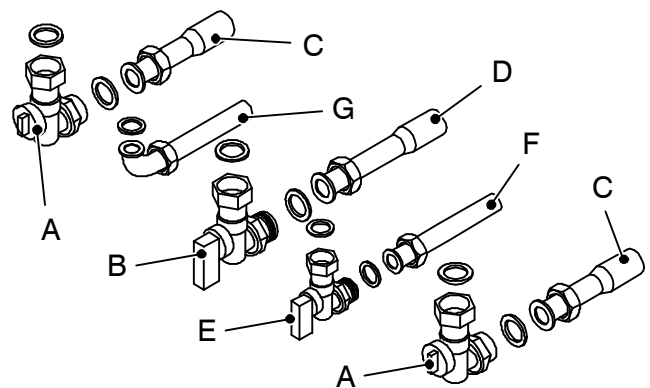


Fig. 6.3

## Installation

- 8 Connect the pipe H (Fig. 6.4) from the pressure relief valve to the safety discharge pipework.
- 9 Fit the condensate drain 11 (Fig. 6.4) in the air brake connected to the drainage pipework. See also section 5.7 in this manual.

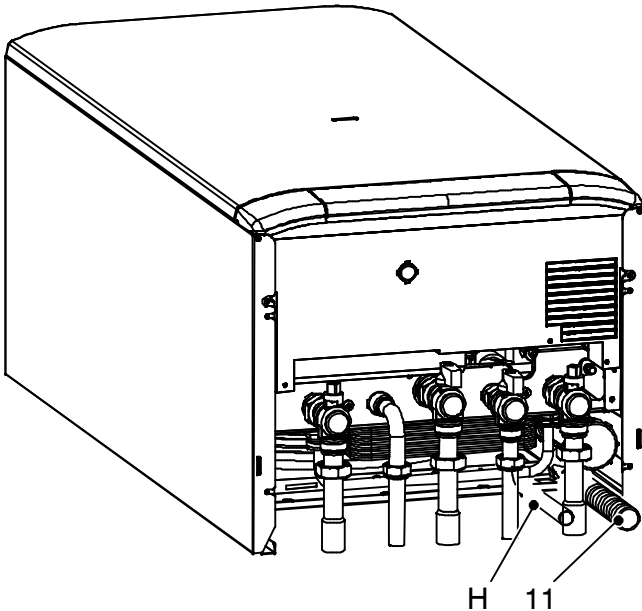


Fig. 6.4

### 6.7 Fitting the flue system

Refer to the assembly instructions contained within the chosen flue kit packaging for the correct assembly and installation.

In general, it has to be taken in consideration that the horizontal sections of the flue pipe must have an horizontal sloping not less than 1.5 deg. (25 mm per metre) towards the boiler.

In the standard horizontal flue kit (Fig. 6.5A) the flue pipe is angled within the air duct therefore the air duct must be horizontally installed.

If one or more extensions have to be used they must be adequately supported so that there is no sag in the flue pipe and a minimum fall of 1,5 deg. (25 mm per metre) over the whole length towards the boiler is ensured.

### 6.8 Choice of flue

The following flue kits are available for connecting to the boiler:

#### Standard horizontal flue kit (Fig. 6.5A)

Co-axial 60/100mm – nominal length 1m

This kit is normally supplied with the boiler and can be fitted to allow discharge to the rear or either side of the boiler via the flanged boiler adapter elbow. Minimum length required is 0.3 m. Maximum equivalent length of 2,7 metres can be achieved utilising extensions. This flue system can only be used to discharge horizontally, it is not designed to enable termination in the vertical plane.

#### Vertical kit with 90° elbow (Fig. 6.5B)

Co-axial 60/100 mm

Supplied with a straight flanged adapter a co-axial elbow and a co-axial pipe with terminal, this kit allows for a vertical rise of 0,5 m from the boiler. In all circumstances the flue terminal must discharge horizontally and the equivalent flue length must not exceed 2,7 metres.

#### Elbows 45° & 90° (Fig. 6.5C)

Co-axial 60/100mm.

Elbow kits enable the standard flue kits to be offset to overcome obstructions or ensure the correct clearances for the flue terminal. Each elbow used in addition to the standard flanged elbow reduces the overall acceptable length of the flue system as follows:

45° reduce length by 0.5 m.

90° reduce length by 1 m.

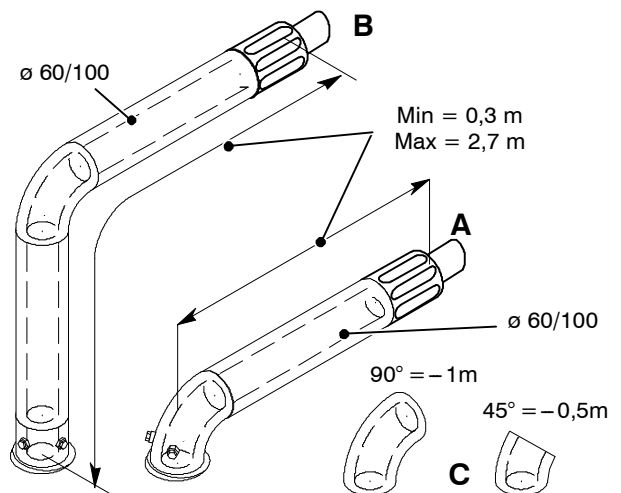


Fig. 6.5

#### Twin pipe kits ø 80 mm (Fig. 6.6)

Various twin (split) pipes kits and optional accessories (elbows) are available to assist in the termination of the flue where the boiler is installed in a location remote to an outside wall.

## Installation

These kits allow for separation of the air supply pipe from the pipe that discharges the exhaust gasses. Consequently it is possible to extend the flue system to a greater distance than that provided by the standard horizontal co-axial flue.

If either an additional 45° or 90° accessory elbow is used then the maximum permissible length of either pipe must be reduced by 0.90 m or 1,65 m respectively.

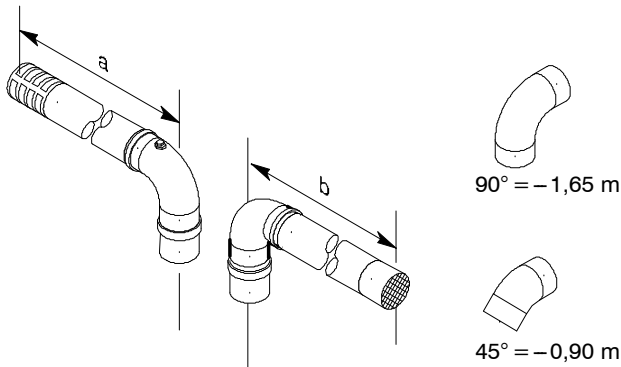


Fig. 6.6

Two restrictors with different size are supplied with the twin pipe kit and have to be installed between the boiler and the air intake adapter (Fig. 6.7).

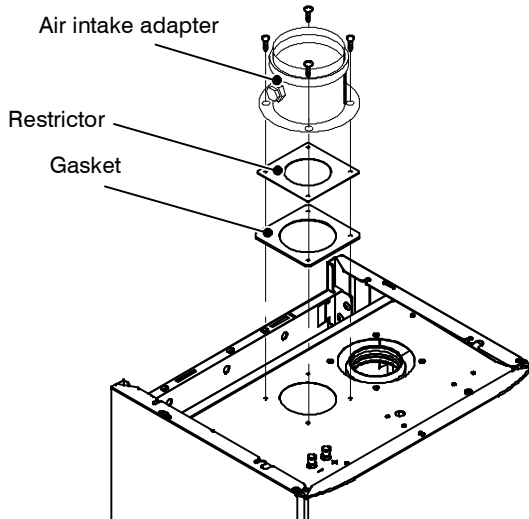


Fig. 6.7

For the correct use of the restrictors **with twin pipes** refer to Tab. 6.2.

Equivalent length (air duct + flue duct)	Restrictor
Between 1 and 15 m	ø 50 mm
More than 15 m up to 30 m	ø 55 mm

Tab. 6.2

### Vertical – roof kit (Fig. 6.8)

This kit allows vertical termination of the flue pipe through the roof. The kit is 1.2 m in length. Extension pieces (Co-axial) are also available which allows the flue system to be extended to a total overall maximum permissible length. Optional 45° and 90° elbows can be used to offset the flue route.

Each additional elbow reduces the overall acceptable length of the flue system as follows:

45° reduce length by 0.5 m.

90° reduce length by 1 m.

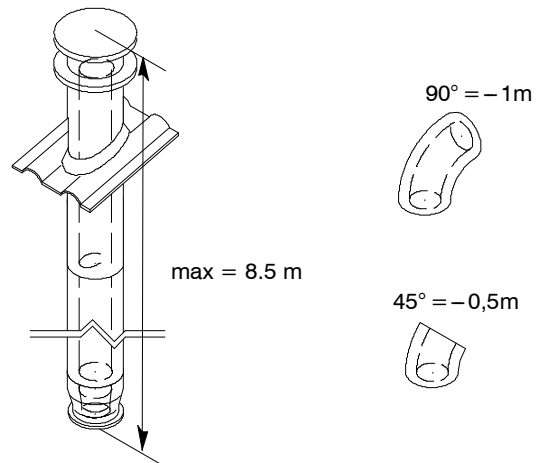


Fig. 6.8

## 6.9 Electrical connections

### Connection to the electricity supply

- 1 Remove the front panel of the case (see the section 9.2 in this manual).
- 2 Remove the screws I and J (Fig. 6.9).

## Installation

### 3 Loosen the screws K.

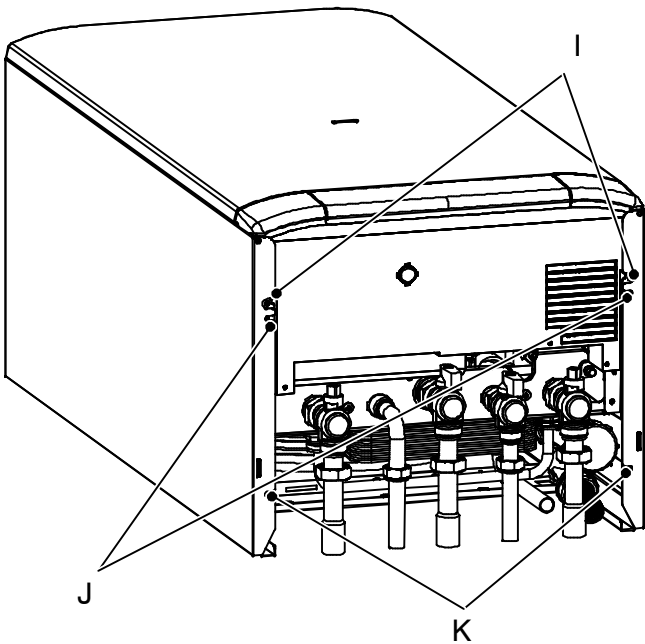


Fig. 6.9

- 4 Remove the side panels or move the lower part of the side panels as indicated in Fig. 6.10 and pull the control panel. When completely pulled out, the panel can rotate 45° downwards to facilitate the operations on the internal parts.

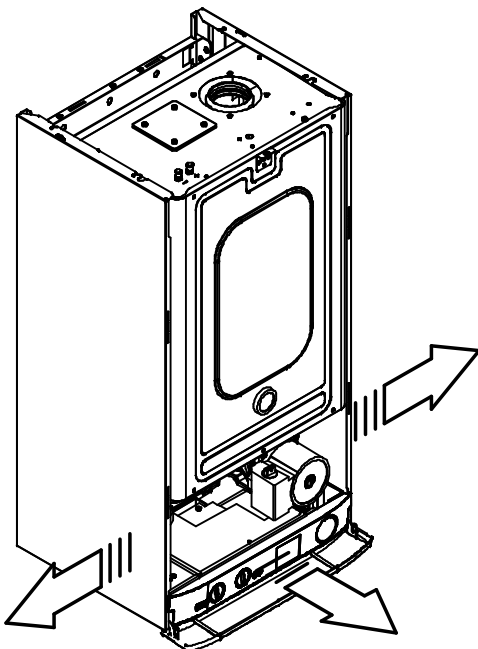


Fig. 6.10

- 5 Loosen the screws L and remove the service panel (Fig. 6.11).

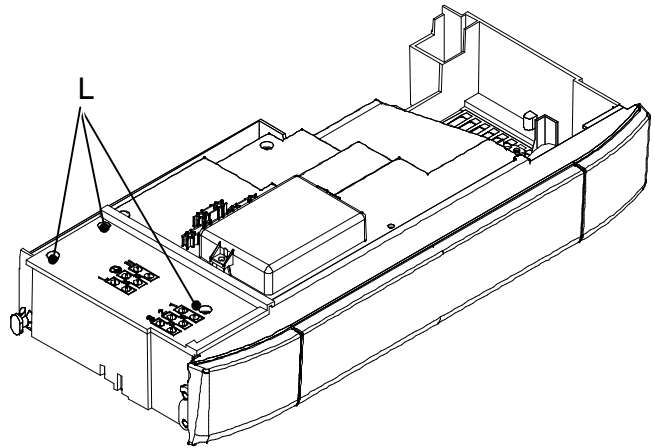


Fig. 6.11

For the electrical connection to the boiler use electric wires which conform to the current regulations, with flexible cord, each core having a cross section area **not less than 0,75 mm<sup>2</sup>**.

- 6 Connect the electrical supply flexible cord coming from the fused spur isolation switch to the power supply terminal block of the boiler (Fig. 6.12) keeping the same connections for the live (brown wire) and the neutral (blue wire). External 3 A fuse or fused plug with same current rating is recommended. **Do not connect live wires to terminals to which the room thermostat must be connected.**
- 7 **Connect the earth wire (yellow/green).**

### Connection of a room thermostat

The room thermostat must be connected to the terminal block situated next to the control panel.

**When connecting any type of external control, the link M in Fig. 6.12 must be removed.**

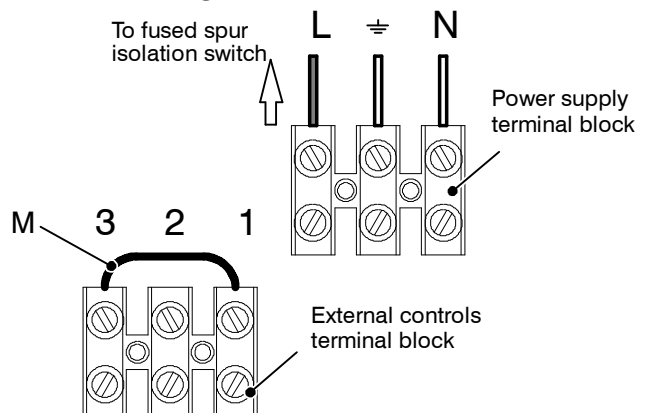


Fig. 6.12

## Installation

- 8 Connect the room thermostat between terminals 1 and 3 as shown in Fig. 6.13.  
**Do not connect live wires to terminals to which the room thermostat must be connected.**

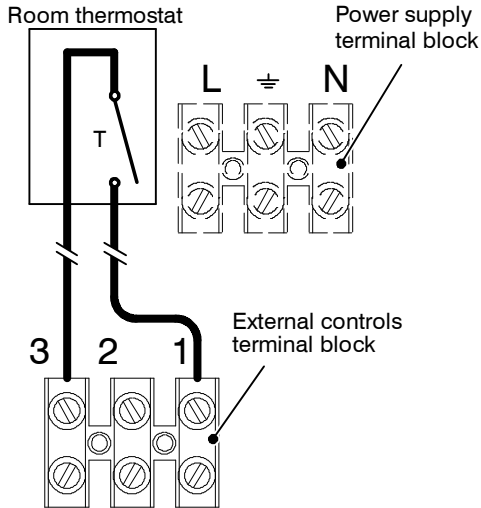


Fig. 6.13

- 9 Route the electrical supply flexible cord and the external control flexible cord as illustrated in Fig. 6.14.  
Lock the flexible cords in place with the flexible cord clamps

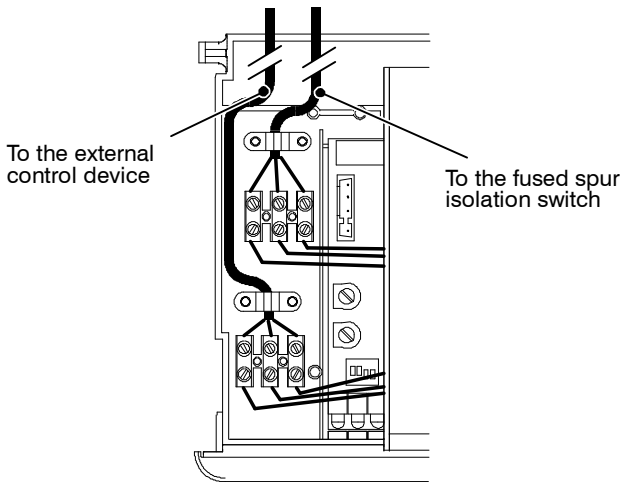


Fig. 6.14

## 6.10 External frost protection

- 10 Connect the frost thermostat between terminals 1 and 2 as shown in Fig. 6.15.  
**Do not connect live wires to terminals to which the room thermostat must be connected.**

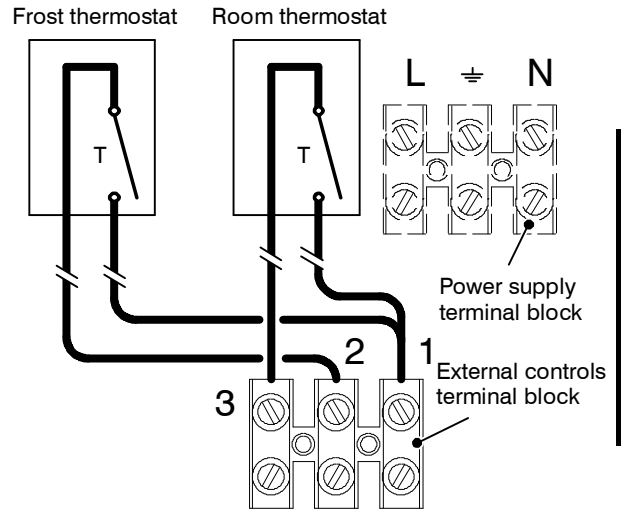


Fig. 6.15

## 7 COMMISSIONING

Ensure that the Benchmark logbook is satisfactorily completed during the commissioning process.

### 7.1 Electrical installation

Preliminary electrical system checks to ensure electrical safety shall be carried out by a competent person. i.e. polarity, earth continuity, resistance to earth and short circuit.

If a fault has occurred on the appliance the fault finding procedure should be followed as specified in the service manual.

### 7.2 Gas supply installation

- 1 Inspect the entire installation including the gas meter, test for soundness and purge, all as described in BS 6891;
- 2 Open the gas cock 14 (Fig. 7.1) on the appliance and check the gas connector on the appliance for leaks.

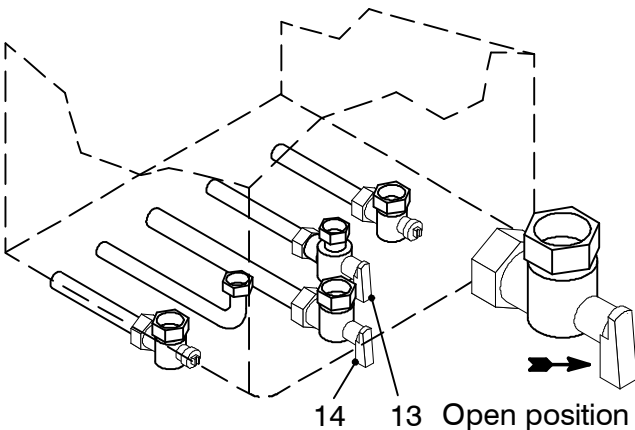


Fig. 7.1

### 7.3 Filling the d.h.w. system

- 1 Close all hot water draw-off taps.
- 2 Open the cold water inlet valve 13 (Fig. 7.1).
- 3 Slowly open each draw-off tap and close it only when clear water, free of bubbles, flows out.

### 7.4 Initial filling of the system

- 1 Open the c.h. flow and return valves.
- 2 Remove the front panel of the case (see the section 9.2 in this manual).
- 3 Unscrew the cap on the automatic air purger-valve 19 (Fig. 7.2) one full turn and leave open permanently.

- 4 Gradually open stopcock at the filling point connection to the c.h. system until water is heard to flow; do not open fully.

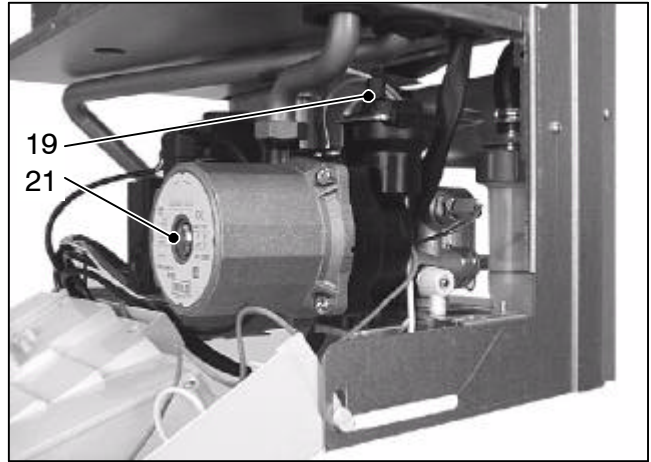


Fig. 7.2

- 5 Open each radiator air vent starting at the lowest point of the system and close it only when clear water, free of bubbles, flows out.
- 6 Purge the air from the pump by unscrewing the pump plug 21 (Fig. 7.2); release the pump shaft by turning in the direction indicated by the arrow on the information plate.
- 7 Replace the pump plug.
- 8 Continue filling the system. The actual reading should ideally be 1,3 bar and not less than 0,3 bar.
- 9 Close all air release valves on the c.h. system.
- 10 Inspect the boiler and the system for water soundness and remedy any leaks discovered.
- 11 Cold flush the system to remove any loose particles and any system debris before starting the boiler for the first time

**The flushing procedure must be in line with BS7593 Treatment of Water in d.h.w. c.h. Systems.**

**When the installation and second filling are completed turn on the c.h. system and run it until the temperature has reached the boiler operating temperature. The system must then be immediately flushed through.**

**This procedure must be repeated twice more.**

**During this operation we highly recommend the use of a c.h. flushing detergent in the quantities as specified by the appropriate manufacturer, whose function it is to dissolve any foreign matter which may be in the system.**



## Commissioning

The above operation could save the invalidation of your boilers guarantee and will also prevent problems which you may experience in the future if an inhibitory is not used.

### 7.5 Condensate pipe and traps

The full length of the condensate pipe should be checked for leaks.

The boiler has a built-in condensate trap provided with a ball valve that prevents the escape of combustion products when the trap is empty.

It is however recommended that any other trap in the drain system is correctly filled with water before to run the boiler.

### 7.6 Lighting the boiler

Some products incorporate an anti cycling time delay. It is normal when first switching the boiler on for the boiler to operate on heating for a few seconds then switch off. After 3–4 minutes has elapsed the boiler will then re ignite and operate perfectly normally. The ignition delay cycle does not prevent normal operation of the boiler to provide d.h.w..

If external controls are fitted (e.g. Timeclock, room thermostat) ensure they "call for heat".

- 1 Turn on the electricity supply to the boiler, switching on the fused spur isolation switch. The appliance operation light 10 will flash every 4 seconds.
- 2 Turn the function selector 8 as in Fig. 7.3. The appliance operation light 10 will flash every 2 seconds.

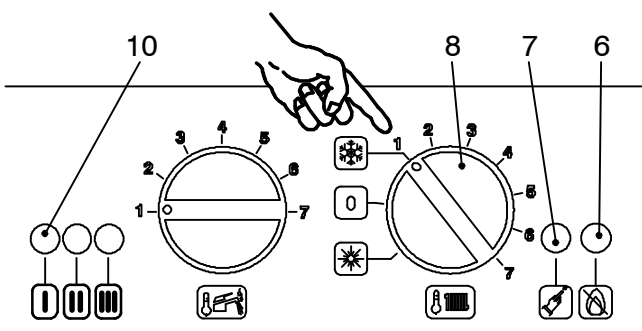


Fig. 7.3

The boiler will now go through an ignition sequence and the burner will light.

If during the ignition attempt period the boiler fails to light, the full sequence control p.c.b. will go to lockout and the lock-out signal lamp 6 will appear.

To reset the boiler press and release the boiler reset button 7 (Fig. 7.3).

### 7.7 Checking the gas pressure at the burner

This boiler has been tested to the highest quality control standards.

The maximum and minimum gas pressures are already set during this quality control process however the checking procedure must be followed to ensure maximum operating efficiency from the boiler.

- 1 Remove the front panel of the case (see section 9.2 in this manual).
- 2 Loosen the internal screw 41 (Fig. 7.4) on the Outlet Pressure Test Point of the Gas Valve and connect a pressure gauge using a suitable hose.
- 3 Set the d.h.w. and c.h. temperature control knobs to their maximum position.
- 4 Switch on the boiler and open at least one hot water tap fully.
- 5 Check the maximum gas pressure and compare the value on the gauge with the value indicated in the sections 4.5 or 4.6 (gas pressures at the burner), accordingly with the model of boiler installed.
- 6 Check the maximum gas flow at the gas meter and compare the value indicated in the sections 4.5 or 4.6 (gas rate), accordingly with the model of boiler installed.
- 7 Switch off the boiler.
- 8 Disconnect the gas modulator coil by removing the electrical connector A (Fig. 7.4).

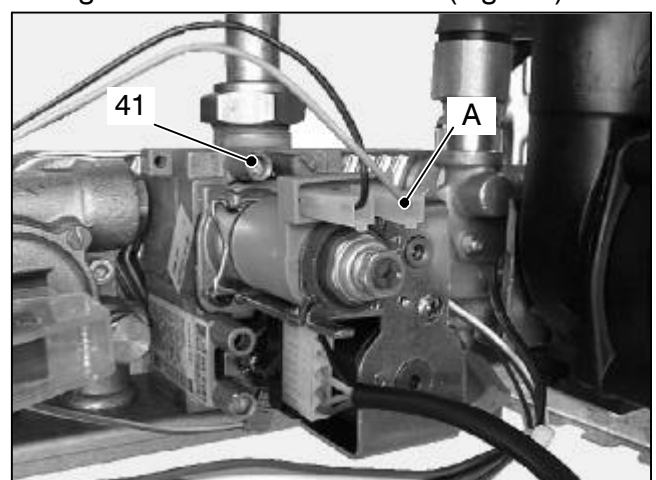


Fig. 7.4

## Commissioning

- 9 Switch on the boiler.
- 10 Check the minimum gas pressure and compare the value on the gauge with the value indicated in the sections 4.5 or 4.6 (gas pressures at the burner), accordingly with the model of boiler installed.
- 11 Switch off the boiler and re-connect the electrical connector A to the modulator coil.
- 12 Access the main control panel (see section 6.9, follow steps 2 – 5)
- 13 Switch on the boiler.
- 14 Check the ignition gas pressure by setting dip-switch "3" (Fig. 7.7) to the OFF position. Compare the value on the gauge with the value indicated in the sections 4.5 or 4.6 (gas pressures at the burner), accordingly with the model of boiler installed.  
If the ignition gas pressure is not set correctly see section 7.8 in this manual for the adjustment procedure. If ignition gas pressure is correct switch dip-switch "3" to the ON position.
- 15 Switch off the boiler, turn off the hot water tap(s) and disconnect the pressure gauge.

**If the maximum and minimum gas pressures measured above are not in accordance with the technical data (sections 4.5 or 4.6) then adjustment will be necessary. A full explanation of the gas pressure adjustment procedure is given in the Gas Valve section of the service manual. If maximum and/or minimum gas pressures are adjusted then the ignition gas pressure must be checked and adjusted if necessary.**

**Important: after the gas pressure checks and any adjustment operations, all of the test points and adjustment devices must be sealed.**

### 7.8 Adjusting the burner ignition

- 1 Turn off the boiler by means of the fused spur isolation switch provided adjacent to the appliance.
- 2 Make sure that the function selector 8 is set to the position in Fig. 7.5 and that the timer selector switch and room thermostat, if fitted, is set to "demand heat".

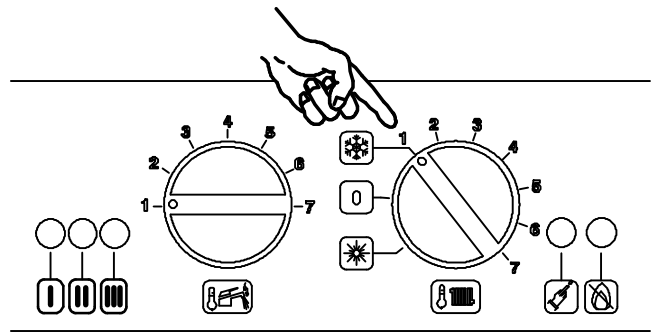


Fig. 7.5

- 3 Unscrew the gas valve's outlet pressure test point 41 (Fig. 7.4) and connect a pressure gauge.
- 4 Loosen the screws B and remove the service panel (Fig. 7.6).

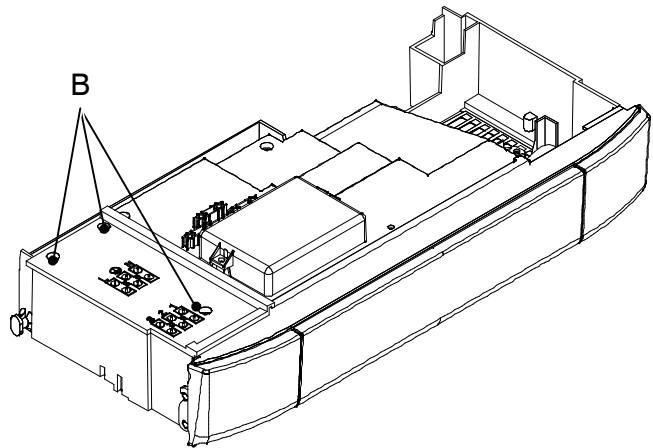


Fig. 7.6

- 5 Turn on the boiler.
- 6 Check that the boiler lights up uniformly and adjust the ignition gas pressure, if necessary.

To adjust the ignition gas pressure, set dip-switch "3" (Fig. 7.7) to the OFF position and adjust potentiometer marked "ACC" with a screwdriver until correct ignition gas pressure is obtained.

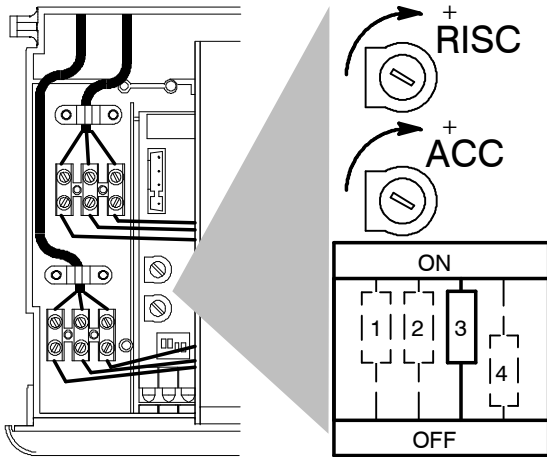


Fig. 7.7

Refer to the table *gas pressures at the burner* in the sections 4.5 or 4.6 for appropriate value.

7 Having finished this procedure, reset dip-switch "3" to the ON position.

### 7.9 Adjustment of useful c.h. output

If the burner function selector (dipswitch number 4 on the main P.C.B.) is set to the 'ON' position it will activate the re-ignition delay period of approximately 4 minutes. When dipswitch number 4 is set to the 'OFF' position there will be approximately 30 seconds re-ignition delay period.

Whilst checking or adjusting the c.h. output, and fault finding on the boiler it may be necessary to switch the re-ignition delay mechanism (dipswitch 4) to the 'OFF' position.

Refer to the diagrams shown in Fig. 7.8, Fig. 7.9 or Fig. 7.10 and select the correct central heating output gas pressure to meet with the central heating system requirements.

With the boiler operating in c.h. mode, use a suitable screwdriver to turn the adjustment potentiometer marked "RISC" (Fig. 7.7).

Rotating the potentiometer anti-clockwise reduces the maximum supply current to the gas modulator device, and thus reduces the gas pressure to the burner.

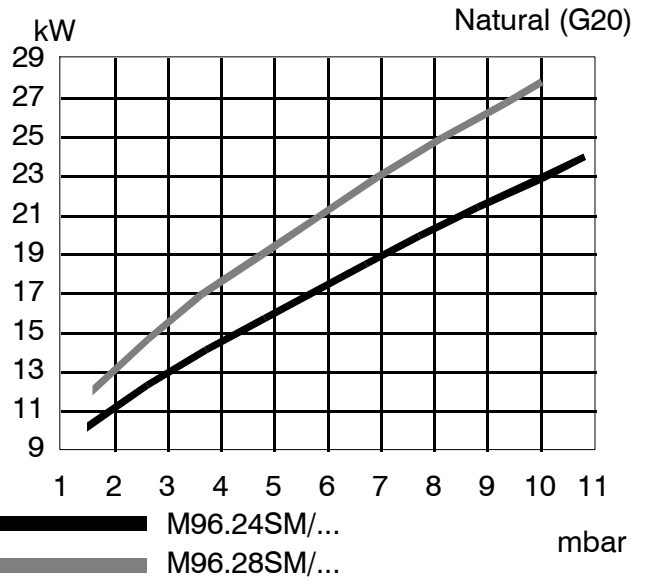


Fig. 7.8

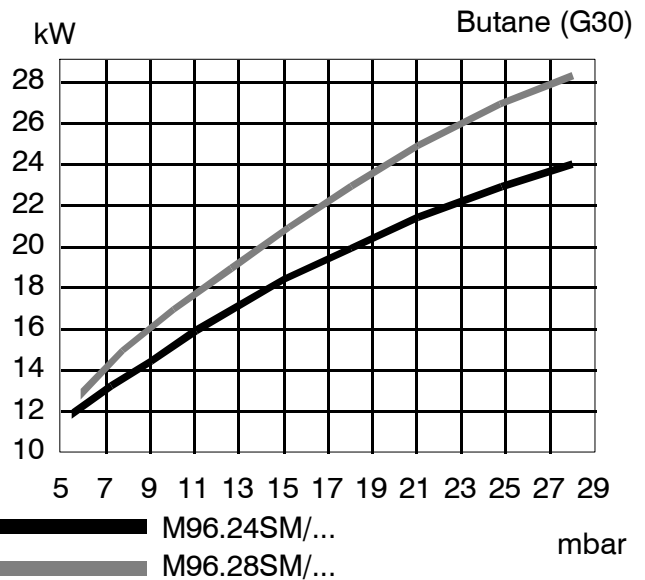


Fig. 7.9

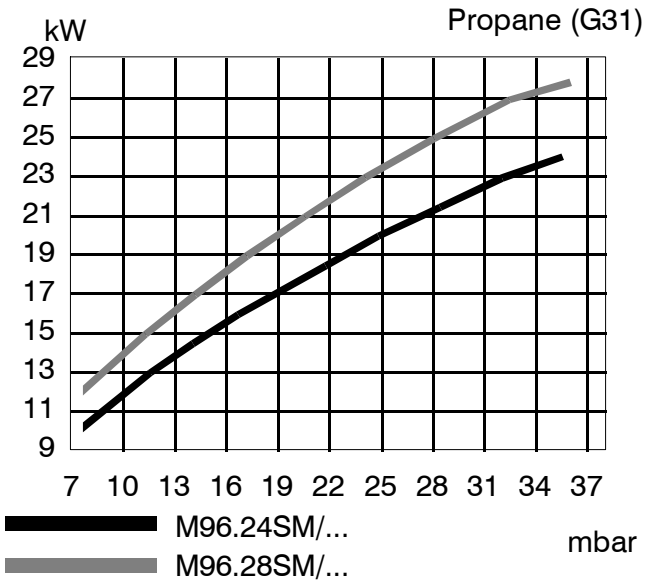


Fig. 7.10

### 7.10 Checking the ignition device

With the burner on high flame close the gas cock. About 10 seconds after, the lock-out signal lamp 6 (Fig. 1.3 on page 2) must appear. To reset the boiler press and release the boiler reset button 7 (Fig. 1.3 on page 2).

### 7.11 Checking the flue system

The flue system should be visually checked for soundness. Check all clamps, gaskets and fixings are secure and tight. Ensure that the flue terminal is sited correctly in accordance with the flue fitting instructions and Fig. 5.1 on page 18 of this manual. To carry out a combustion check refer to the instructions given in the section 9.5 of this manual. Reference figures are given in the sections 4.5 or 4.6 of this manual (Flue gas figures).

### 7.12 Checking the condensate drain pipe

Check the soundness and integrity of the condensate drain pipe. Verify the cleanliness and correct filling of the condensate traps.

### 7.13 Instructing the user

Hand over this combined User & Installation manual and the Service manual to the end user and explain how to use the unit in both c.h. and d.h.w. modes.

Take the User step by step through the lighting instructions.

Show the User how to switch off the appliance quickly and indicate the position of the electric supply isolator.

Explain the proper use and adjustment of all system controls; this will ensure the greatest possible fuel economy.

Explain the function and use of the function selector.

Explain and demonstrate the function of time and temperature controls (if fitted).

Explain how to turn off the appliance for both short and long periods and advise on the precautions necessary to prevent damage should the appliance be inoperative when freezing conditions may occur.

Fill in the details required on the Boiler Guarantee Certificate and hand to the User advising them to return the correct section for boiler Guarantee registration.

Finally, advise the User that, for continued safe and efficient operation, the appliance must be serviced by a competent person at least once a year.

## 8 GAS CONVERSION

### 8.1 Warnings

Procedures to adapt the boiler to the type of gas available **must be carried out** by a competent and responsible person.

Components used to adapt it to the type of gas available must be genuine parts only.

### 8.2 Procedures

- 1 Check that the gas cock (14 in Fig. 9.3) fitted under the boiler is turned off and the appliance is switched off at the mains isolating spur.
- 2 Remove the front and side panels of the case (see the section *General access and emptying hydraulic circuits* in the service manual).
- 3 Take off the lid of the sealed chamber.
- 4 Take the front panel of the combustion chamber off and remove the burner (29 on page 11). See section *Ignition and detection electrodes* in the service manual for detailed instructions.
- 5 Carry out the conversion for the type of gas, replacing the burner injectors correctly.
- 6 Re-assemble the burner, the front panel of the combustion chamber and the lid of the sealed chamber.
- 7 Extract the control panel as explained in the section 6.9 of this manual.
- 8 Loosen the screws C and remove the service panel (Fig. 8.1).

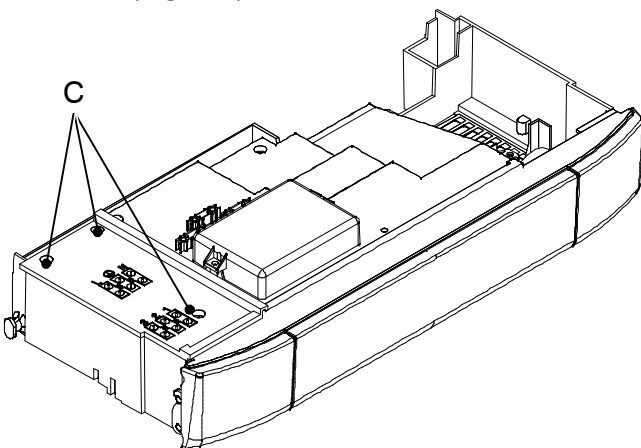


Fig. 8.1

- 9 set correctly the dip-switch "2" to the correct position (Fig. 8.2) in accordance with the following table.

Gas supply	Position of dip-switch 2
Natural gas	On
L.P.G.	Off

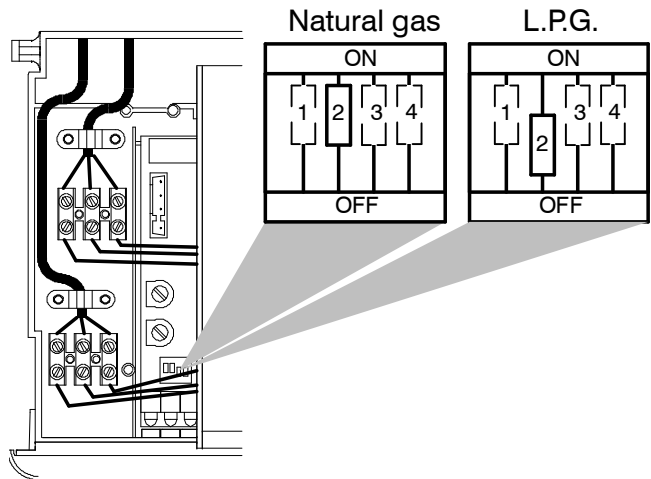


Fig. 8.2

- 10 Calibrate the gas valve according to the instructions given in the service manual, section *Modulating gas valve – Adjustment*.
- 11 Set the correct gas pressure for central heating output required, see section 7.9 in this manual.
- 12 Stick on the inside of the left hand side panel adjacent to the data badge the self-adhesive label (included with the conversion kit) indicating the type of gas, and the gas pressures to which the appliance has been set.
- 13 Replace the service panel, the front and side panels of the case.

## 9 MAINTENANCE

### 9.1 Warnings

The procedures detailed in this chapter **must be carried out only by a professionally qualified person**. Thus you are advised to contact an Authorised Service Agent.

For efficient and continuous operation of the boiler you are advised to have, at least once a year, maintenance and cleaning done by an Approved Service engineer.

**Isolate the appliance from the electricity supply** by turning off the fused spur isolation switch adjacent to the appliance and **turn off the gas cock**, before carrying out any procedures, whatsoever, for cleaning, maintenance, opening or dismantling boiler panels.

### 9.2 Dismantling the external panels

#### Front panel

- 1 Loosen the three screws A (Fig. 9.1).
- 2 Lift and remove the panel.

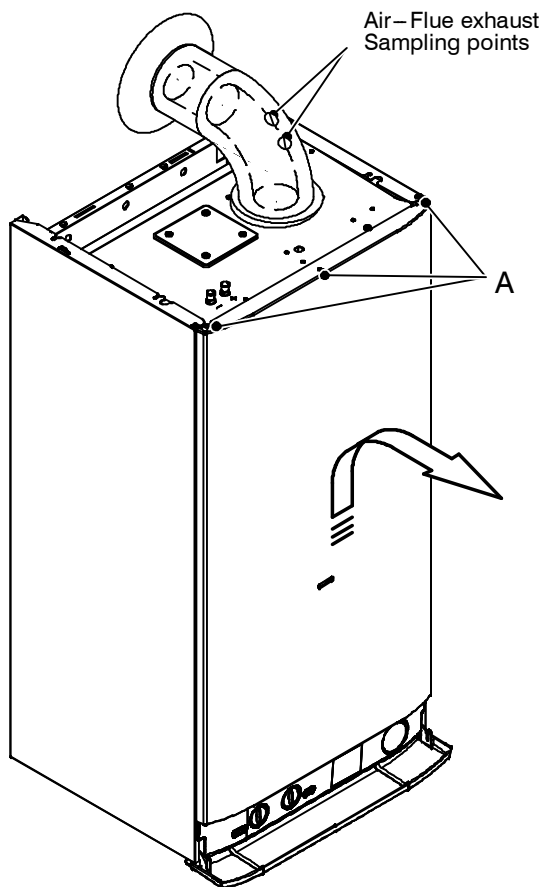


Fig. 9.1

#### Side panels

- 3 Loosen the screws B. Bring the bottom of the panels away from the boiler and lift them, freeing them from the top hooks (Fig. 9.2).

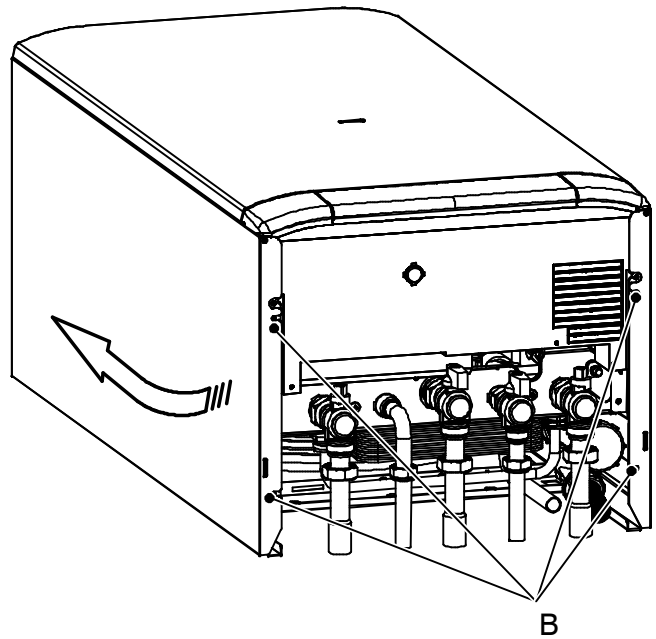


Fig. 9.2

### 9.3 Emptying the d.h.w. system

- 1 Turn off the d.c.w. inlet isolating valve (13 in Fig. 9.3) and turn on the hot water taps and any drain cocks.

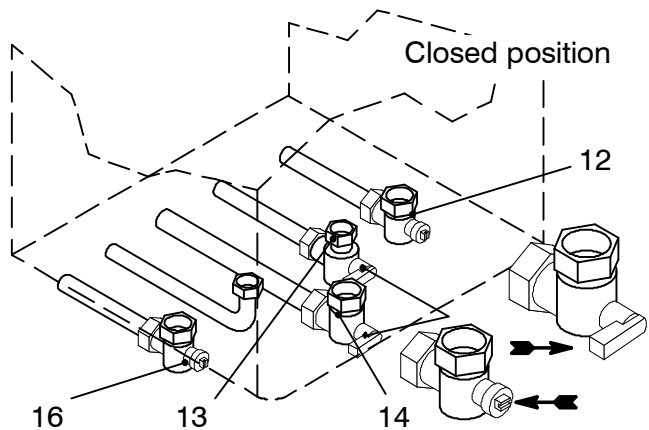


Fig. 9.3

### 9.4 Emptying the c.h. system

- 1 Close the c.h. isolating valves (12 and 16 in Fig. 9.3).
- 2 Open the central heating drain cock (18 in Fig. 9.4).
- 3 A small quantity of water will remain in the d.h.w. heat exchanger after draining. If the boiler is being drained to prevent freezing, the

## Maintenance

d.h.w. heat exchanger must be removed and inverted to drain fully or an antifreeze solution added.

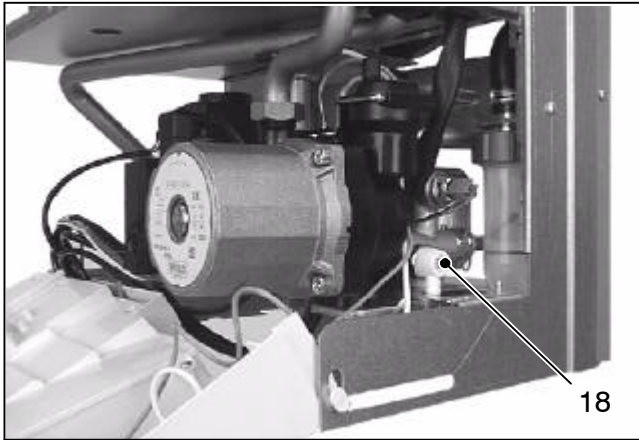


Fig. 9.4

### 9.5 Combustion analysis check

If it is necessary to carry out a combustion analysis remove the plugs indicated in Fig. 9.1.

Reference figures are given in the sections 4.5 or 4.6 of this manual (Flue gas figures).

### 9.6 Cleaning the primary heat exchanger

- 1 Take off the front of the case.
- 2 Take off the removable front of the air-tight chamber and the front panel of the combustion chamber.

If you notice dirt on the fins of the primary heat exchanger (31 on page 11):

- 3 cover the sloping surfaces of the burner (29 on page 11) entirely in a protective layer (sheets of newspaper or similar).
- 4 Brush out the primary heat exchanger (31 on page 11) with a bristle paintbrush.

NOTE – When removing the airtight chamber cover it is not necessary to remove the screws located at the top edge on either side.

### 9.7 Checking the pressurisation in the expansion vessel

Empty the central heating system as described in section 9.4 of this chapter and check that the pressure in the expansion vessel is not less than 1 bar. See also section 4.4 page 13 of this manual.

If the pressure is lower, take steps to correct the pressure level.

### 9.8 Cleaning the burner

The sloping and multi-gas type burner (29 on page 11) does not need special maintenance, but it is sufficient to dust it with a bristle paintbrush.

To reach the burner:

- 1 Take off the front of the case.
- 2 Take off the removable front of the air-tight chamber and the front panel of the combustion chamber.
- 3 Brush out the burner with a bristle paintbrush.

NOTE – When removing the airtight chamber cover it is not necessary to remove the screws located at the top edge on either side.

### 9.9 Checking the flue

Have the integrity of the flue outlet pipe (49 on page 12) air intake pipe (50 on page 12), checked periodically, the venturi device\* (46 on page 12) cleaned and the efficiency of the flue safety circuit checked at least once a year.

\* For details see the section *Fan, venturi device and air pressure switch* in the service manual.

For all the above maintenance operations it is advisable to call an approved Service Engineer.

### 9.10 Drain pipe inspection

Check the soundness and integrity of the condensate drain pipe.

Verify the cleanliness and correct filling of the condensate traps.

### 9.11 Visual inspection of appliance

Visually inspect all water joints, seals and connections for any evidence of leakage and retighten, grease or replace them as necessary.

### 9.12 Gas pressures and soundness

Check appliance for gas soundness. Recheck operational pressures and adjust as necessary as described in section 7.7 page 29 of this manual.



17962.1071.1 3804 40A5 UK

Biasi U.K. Ltd  
Unit 31/33, Planetary Road  
Industrial Estate, Neachells Lane  
Willenhall, Wolverhampton WV 13 3XB  
Technical helpline: 01902 304 400  
Web site: [www.biasi.co.uk](http://www.biasi.co.uk)