

BAXI FIRES DIVISION

FASCIA ADDENDUM

This addendum is for the **Model 807** Electric Heater fitted with the **Adage** or **Ocean** fascia.

The Adage and Ocean fascias have been modified. Please use this addendum in place of the fascia fitting section in the installer and owner guide supplied with the heater.

Contents:

- 2 Side trims
- 1 Top trim
- 1 Firefront assembly
- 4 Screws
- 6 Magnets

Assembling the fascia.

1. Place the firefront, side trims and top trim face down on a flat, smooth surface as in figure 1. Note that the holes in the side trims are located next to the firefront.
2. Fit the firefront to the side trims using the four screws as in figure 2.
3. Place the six magnets as in figure 3.
4. Locate the side trim and firefront assembly to the heater as in figure 4.
5. Locate the top fascia as in figure 4. Ensure that there are no gaps between the corners of the top trim and the side trims.

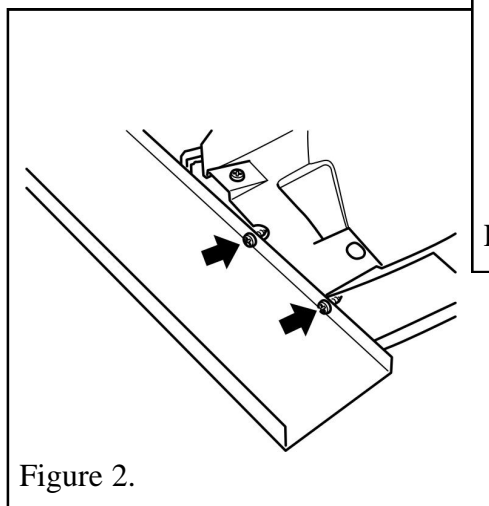


Figure 2.

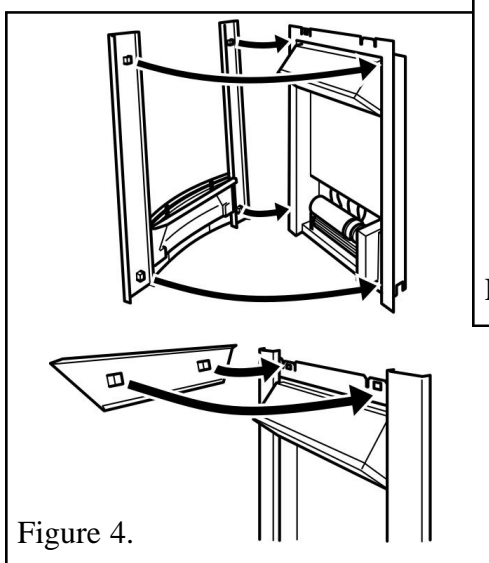


Figure 4.

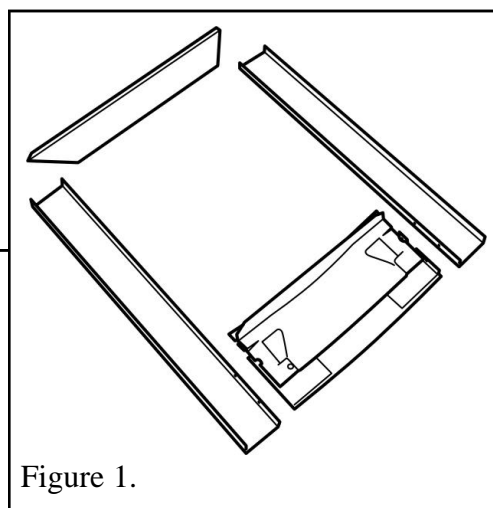


Figure 1.

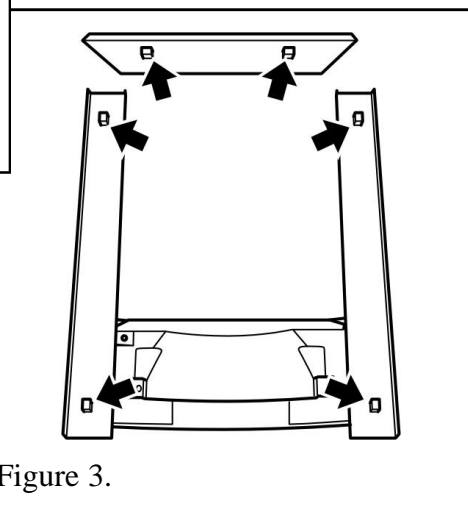


Figure 3.

BAXI ● VALOR ● WONDERFIRE