

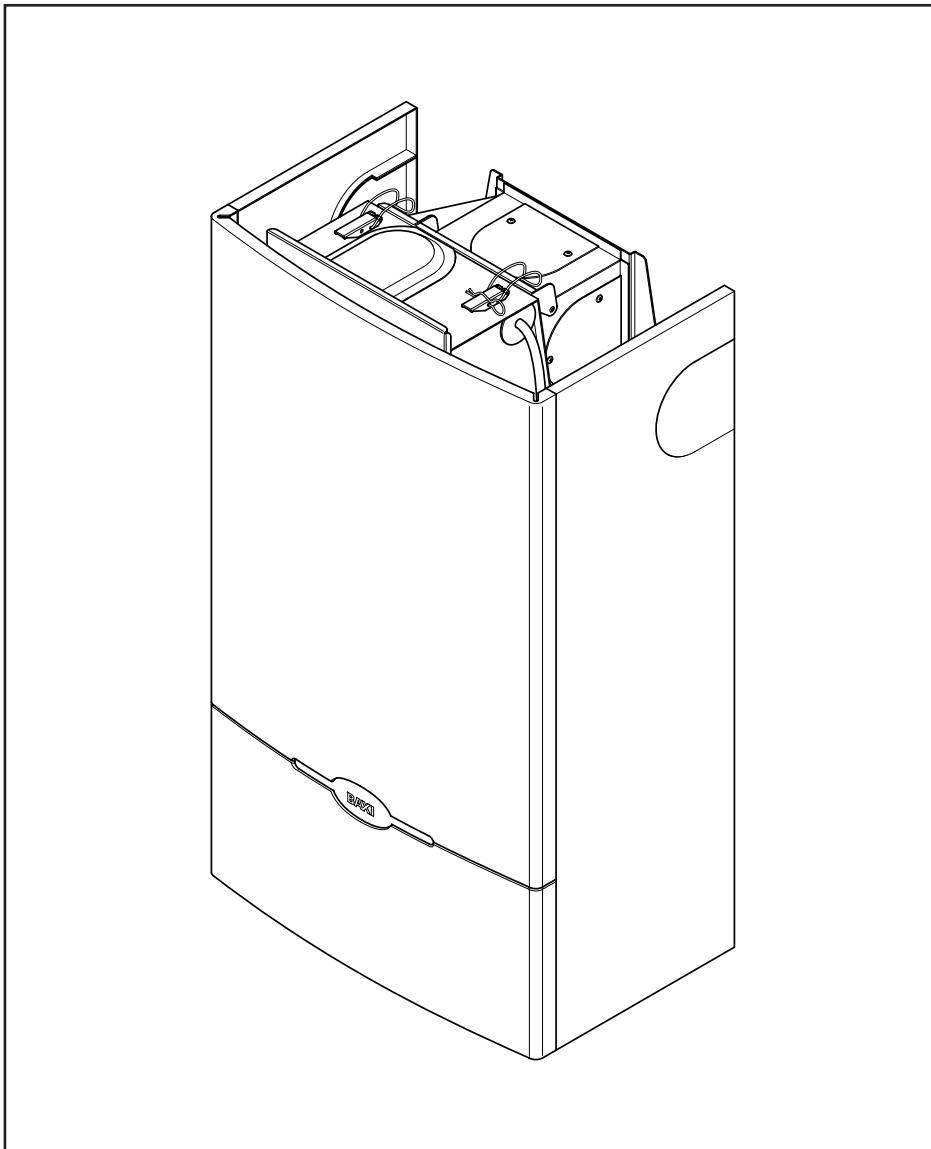
Please keep these instructions safe.
Should you move house, please hand
them over to the next occupier.

Baxi Solo 3 PFL System

Wall Mounted Powered Flue System Boiler

Gas Fired Central Heating Unit

User's Operating Instructions



BAXI

Natural Gas

Baxi Solo 3 PFL System 30
G.C.No. 41 075 25

Baxi Solo 3 PFL System 40
G.C.No 41 075 26

Baxi Solo 3 PFL System 50
G.C.No. 41 075 27

Baxi Solo 3 PFL System 60
G.C.No 41 075 28

Baxi Solo 3 PFL System 70
G.C.No. 41 075 29

Baxi Solo 3 PFL System 80
G.C.No. 41 075 31

Baxi UK Limited is one of the leading manufacturers of domestic heating products in the UK.

Our first priority is to give a high quality service to our customers. Quality is built into every Baxi product - products which fulfil the demands and needs of customers, offering choice, efficiency and reliability.

To keep ahead of changing trends, we have made a commitment to develop new ideas using the latest technology - with the aim of continuing to make the products that customers want to buy.

Everyone who works at Baxi has a commitment to quality because we know that satisfied customers mean continued success.

We hope you get a satisfactory service from Baxi. If not, please let us know.

The boiler meets requirements of Statutory Instrument "The Boiler (Efficiency) Regulations 1993 N° 3083" and is deemed to meet the requirements of Directive 92/42/EEC on the efficiency requirements for new hot water boilers fired with liquid or gaseous fuels:-

Type test for purpose of Regulation 5 certified by:
Notified Body 0086.

Product/Production certified by:
Notified Body 0086.

For use in GB / IE only.



Baxi is a BS-EN ISO 9001
Accredited Company

1.0 Warnings

1.1 Safe Installation

1. This appliance must be installed in accordance with the manufacturers instructions and the rules in force. For Ireland install in accordance with I.S.813 "INSTALLATION OF GAS APPLIANCES". The installation must be carried out by a CORGI Registered Installer or other competent person and be in accordance with the relevant requirements of the current **GAS SAFETY** (Installation and Use) **REGULATIONS**, the **BUILDING REGULATIONS** (Scotland) (Consolidation), the **LOCAL BUILDING REGULATIONS**, the **CURRENT I.E.E. WIRING REGULATIONS** and the bye laws of the Local Water Undertaking. Where no specific instructions are given, reference should be made to the relevant **BRITISH STANDARD CODES OF PRACTICE**.

2. **Read the instructions before installing or using this appliance.**

IMPORTANT: The addition of anything that may interfere with the normal operation of the appliance without the express written permission of Baxi UK Limited, could invalidate the appliance warranty and infringe the Gas Safety (Installation & Use Regulations).

WARNING: Never hang clothes or other items over the appliance.

"Benchmark" Installation, Commissioning and Service Record Log Book

Please ensure that your installer has completed the Installation and Commissioning sections of the Log Book and hands the Log Book over. The details of the Log Book will be required in the event of any warranty work. Keep the Log Book in a safe place and ensure that the relevant sections are completed at each subsequent regular service visit.

All CORGI registered installers carry a CORGI identification card and have a registration number. Both should be recorded in your boiler Log Book. You can check your installer is registered by telephoning 01256 372300 or writing to:-
1 Elmwood,
Chineham Business Park,
Crockford Lane,
Basingstoke. RG24 8WG.

WARNING: If it is either known or suspected that a fault exists on the appliance, it must not be used until the fault has been corrected by a competent person.

1.2 In case of gas leaks

1. **If a gas leak is found or suspected**, turn off the gas supply at the meter immediately and contact your Installer or Local Gas Supplier Emergency Service (under 'Gas' in the phone directory).

1.3 Servicing your boiler

1. We strongly recommend that your Boiler is serviced annually by a competent person for reasons of safety and economic. Your Installer or British Gas Service will be able to advise you.

1.4 Electricity supply

1. THIS APPLIANCE MUST BE EARTHED

A standard 230 volt ~ 50Hz supply is required. The appliance must be protected by a 5 amp fuse.

2.0 Operating the Boiler

2.1 Operating the Boiler

1. Hinge down the lower door panel as shown (Fig. 1).
2. Turn the boiler thermostat knob fully anti-clockwise to the '0' position (Fig. 3).
3. Turn on the main gas and electricity supplies to the appliance.
4. Set the thermostat control knob to the required setting. (The optimum boiler setting depends upon type of system, external controls and your requirements. Your installer will be able to advise you on this matter.)
5. The fan will start to run and after a short period the ignition spark will commence. Sparking will continue until the pilot flame is established then stop automatically. The main gas will then come on and the burner will light from the pilot flame. The bottom four indicator lights should be illuminated (Fig. 2).

2.2 To shut down the boiler

1. Turn off the electricity supply to the appliance at the mains.
2. Turn the thermostat knob to zero (Fig. 3) then turn off the gas supply at either the appliance gas cock or the meter.

2.3 Frost Protection

1. The appliance incorporates a frost protection thermostat that will light the appliance when it's temperature falls to near freezing. Note that this is designed to protect the boiler only - the system pipework may require the protection of an additional frost thermostat.
2. To set the appliance to frost protection but without normal heating. Turn the control knob to the ★ position (Fig. 3).

3. The frost protection will only operate if gas and electrical supplies are switched on.

2.4 Central Heating System Pressure

1. The water pressure in the central heating system is indicated by the pressure gauge.
2. The normal operating pressure is the range between 1 and 2.5 (Fig. 4).
3. A pressure of 3 or greater indicates a fault. The safety pressure relief valve will operate at a pressure of 3 (Fig. 5). It is important that your Service Engineer is contacted as soon as possible.
4. The MINIMUM pressure for correct operation is 1.
5. If the pressure falls below 1, this may indicate a leak on the central heating system (Fig. 6).
6. The system must be re-pressurised by your Service Engineer.

Overheat Neon Warning

Fig. 1

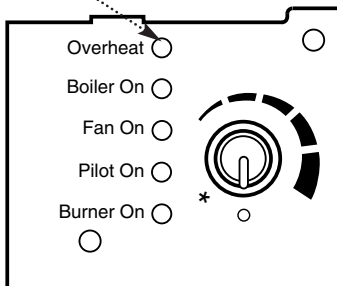
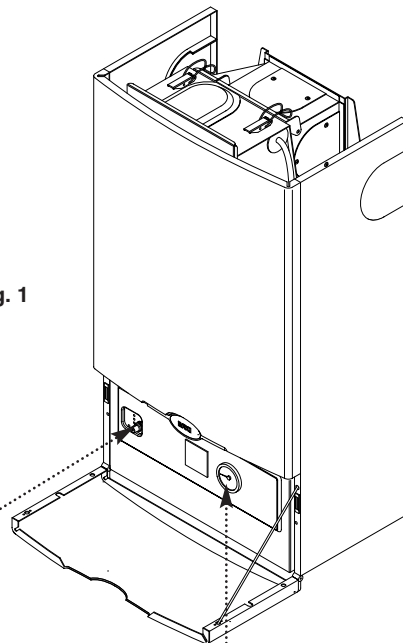
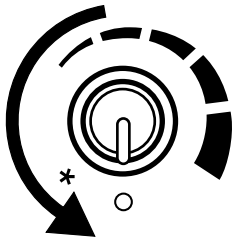


Fig. 2



THERMOSTAT KNOB
To shut down the boiler
turn fully anti-clockwise

Fig. 3

Pressure Gauge

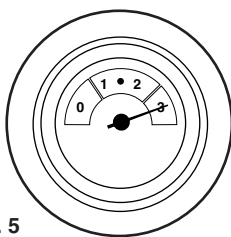


Fig. 5

Fault

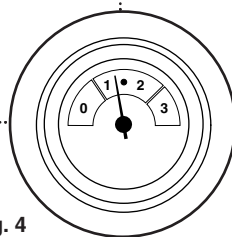


Fig. 4

Normal Pressure

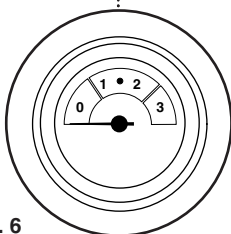


Fig. 6

Below Minimum

3.0 Overheat Cut-Off Device

3.1 Overheat Cut-Off Device

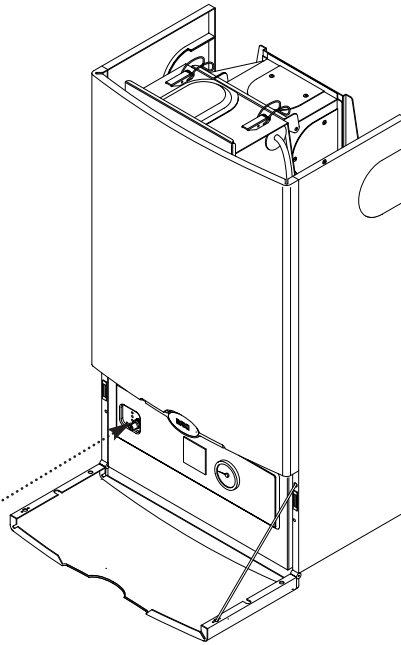
1. Your boiler is fitted with an additional safety device which shuts down the appliance should the system overheat. The "overheat" indicator light will be illuminated if the appliance needs resetting.

NOTE: Any interruption to the electricity supply may cause the device to operate. In the case of persistent operation of the device, turn off the boiler and consult your service engineer as an appliance or system fault is indicated.

3.2 Resetting

1. To reset the device follow these instructions.
2. Allow the boiler to cool if hot.
3. Hinge down the lower door panel (Fig. 7).
4. Turn the boiler thermostat control knob fully anti-clockwise to the OFF position marked '0' (Fig. 9).
5. Turn the boiler thermostat control knob fully anti-clockwise to the OFF position marked '0' (Fig. 9).
6. Wait 10 seconds.
7. Turn the control knob clockwise to the required thermostat setting, the overheat light will go out and the boiler will commence sparking and fire up automatically when the boiler has sufficiently cooled.

Fig. 7



Overheat Neon Warning

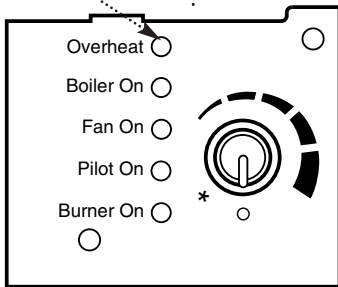
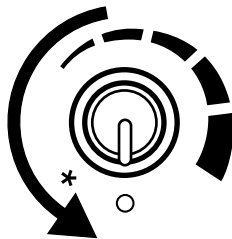


Fig. 8



THERMOSTAT KNOB
To shut down the boiler
turn fully anti-clockwise

Fig. 9

4.0 Clearances

4.1 Clearances around the boiler (Fig. 10)

1. The minimum clear spaces needed around the boiler are:

Top:	50mm (2 in)
Bottom:	100mm (4 in)
Sides:	5mm ($\frac{3}{16}$ in)
Front:	5mm ($\frac{3}{16}$ in)

2. **These clearances must not be obstructed in any way. Blocking the clearance spaces will result in the appliance overheating and possible damage may occur.**

3. The boiler may be installed in a cupboard if these minimum clearances are kept. Note that the label affixed to the front of the boiler must be left in place to ensure future servicing is successfully undertaken.

4. The compartment should be large enough to house the boiler and ancillary equipment only.

5. **IT SHOULD NOT BE USED AS A STORAGE CUPBOARD.**

6. The gas burning compartment of your boiler is completely sealed from the room in which it is fitted. Products from the combustion of gas are vented to the outside through the flue terminal which must be kept free from obstruction as this would interfere with the correct operation of the boiler.

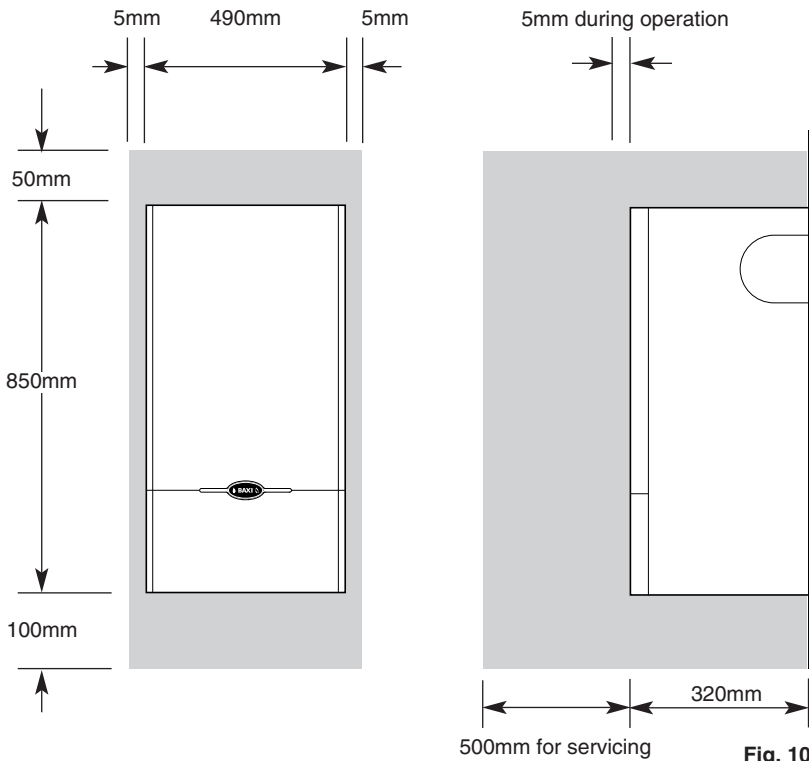


Fig. 10

5.0 Cleaning, Spares & Guarantee

5.1 Cleaning the case

1. The painted panels should be wiped with a damp cloth and then dried completely. **DO NOT USE ABRASIVE CLEANING AGENTS.**
-

5.2 Spare Parts

1. Any repairs to the appliance will usually be the responsibility of the Installer during the guarantee period after which spare parts may be obtained through approved Baxi stockists if required.
 2. Quote the appliance name, model number and where possible the part number when ordering spares. An abbreviated data plate with this information is inside the removable door (A parts list is included in the Installation and Servicing Instructions.)
 3. Only a CORGI registered or other competent person should service this appliance.
-

5.3 Guarantee

1. Your Baxi Solo 3 System is designed and produced to meet all the relevant Standards and EU directives.
2. Baxi UK Limited provide a 12 month guarantee on the Boiler - other parts of the system are covered by the Installer or other manufacturers. The guarantee operates from the date installation is completed for the customer who is the original user.
3. To maximise the benefit from our guarantee we urge you to return the reply-paid guarantee registration.
4. This does not in any way prejudice your rights at Common Law. Such rights between the customer and the installer or supplier from whom the unit was purchased remain intact.

Any component or part which becomes defective during the guarantee period as a result of faulty workmanship or material whilst in normal use will be repaired or replaced free of charge.

After Sales Service
08706 096 096

BAXI

Baxi UK Limited
Brownedge Road
Bamber Bridge Preston
Lancashire
PR5 6SN
www.baxi.com