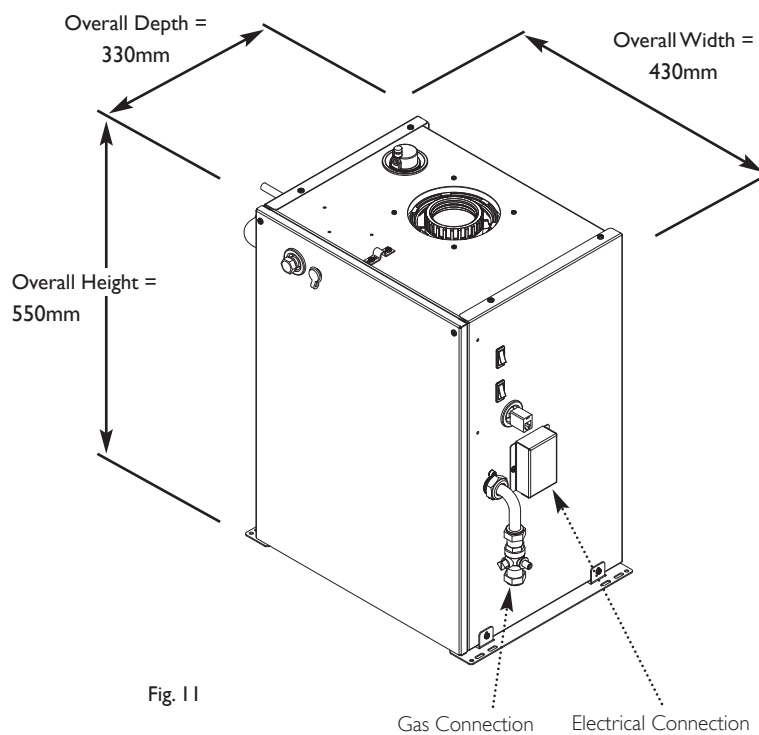


Addendum

This addendum contains important information regarding recommended fireplace & builders opening sizes and the condensate disposal system.

Please read it in conjunction with the literature supplied inside the boiler pack, specifically Section 5.0 'Site Requirements'. Sub-sections 5.1 to 5.4 are superseded by the equivalent sections in this addendum. Sub-sections 5.11.7 to 5.11.13 of this addendum should be read in addition to Sub-section 5.10.

Also overall dimensions have been added to Fig. 11 (see below). Figs. 15 & 17 in this addendum are additional.



Important NOTES:

If the depth of builders opening is at the minimum (i.e. 400mm) it will be necessary to use a Spacer Kit (see Section 5.4).

All dimensions in this section are general RECOMMENDATIONS. It may be possible to install & maintain the appliance when some of the dimensions are different.

For example, the Fireplace Opening could be narrower than recommended if the Builders Opening depth is such that it allows the boiler to be situated sufficiently far back to allow access.

Each installation must be considered individually due to the diverse characteristics of Fireplace & Builders Openings.

All Builders Opening dimensions allow use of the R.H. Plumb Kit.

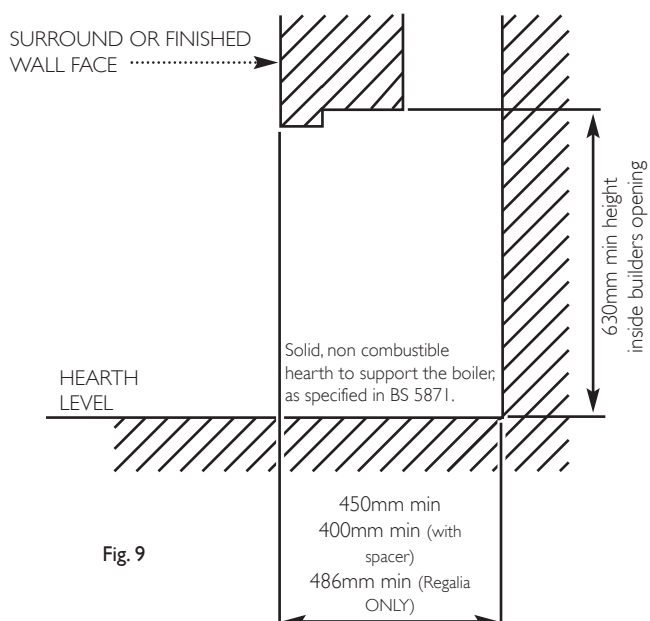
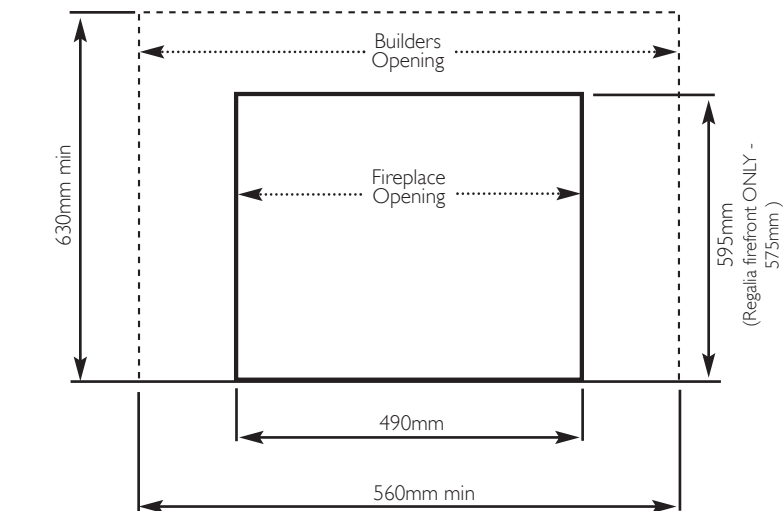


Fig. 9

5.0 Site Requirements

5.1 Builders Opening (Fig. 9)

1. The boiler unit is designed to fit within a standard builders opening, the **MINIMUM** dimensions of which are as shown.

Height	630mm
Width	560mm
Depth	450mm
" "	400mm (with spacer)
" "	486mm (Regalia ONLY)

The **minimum** depth is measured to the **surround or finished wall face** against which the firefront sits. From the back to the **INSIDE** of the front face of the builders opening should be at least 400mm to allow access. These dimensions take account of the use of, for example, a marble surround.

2. The opening should be soundly constructed of brick, pre-cast concrete or be a proprietary builders opening.

3. **The base of the builders opening should be sound and non-combustible and must be flat and level.**

4. The base should be at the same height as the finished level of any hearth, as the electric firefronts are intended for hearth mounting. A wall mounting kit is available for Dimension Innova models.

NOTE: If a false chimney breast is intended to house the boiler, a simulated builders opening, within the breast, must be provided.

5. The builders opening must not communicate with voids, pipe ducts or spaces other than the room in which the appliance is situated.

5.2 Location

1. The appliance must be installed in the living space of a dwelling. It is recommended that it is a ground floor location.

2. Restrictions to the siting of the appliance are covered by BS 5546. The appliance may not be installed in bathrooms or shower rooms, bedrooms or bed sitting rooms.

5.3 Fireplace Opening & Surround

1. If a fireplace surround is to be used, it must be centrally placed and have opening sizes as shown in Fig. 9.

5.4 Firefront Spacer Kit

1. **To accommodate the firefront** it may be necessary to use a Spacer Kit. The Spacer increases the effective depth of the opening by 50mm.

2. See the instructions supplied with the firefront for full details.

NOTE: The 50mm spacer is supplied with the firefront and must always be used as it accommodates the Boiler Control. This does not constitute a Spacer Kit.

5.0 Site Requirements

5.11 Condensate Disposal Pipe Runs

7. When A to B at max. (2.5m) B to C can be up to 8m

8. When B to C at max. (10m) A to B can be up to 0.5m

See Table for maximum no. of elbows

9. If the entire length of discharge pipe is 10mm diameter pipe the point of discharge into a drain or similar must a MINIMUM of 150mm above the base of the boiler to prevent syphonic action emptying the sump (Fig. 16).

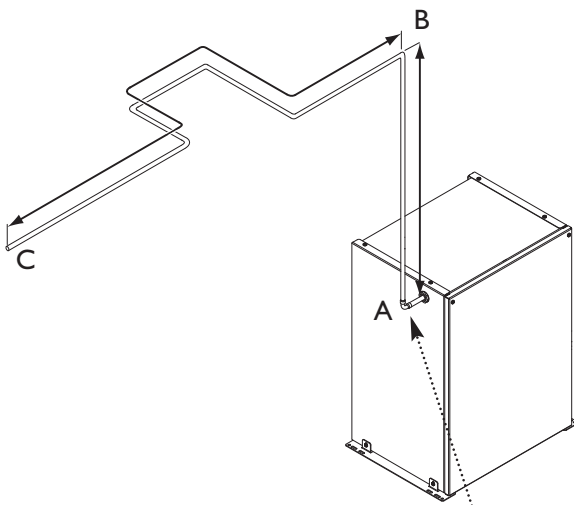


Fig. 15

90° 'Speedfit' Elbow (supplied with boiler)

Maximum Vertical Run (m) A - B	2.5	2.0	1.5	1.0	0.5
Maximum Horizontal Run (m) B - C	8.0	8.5	9.0	9.5	10.0
Maximum No. of 90° Elbows*	4	5	6	7	8

* The 90° 'Speedfit' Elbow MUST be included in the maximum allowed

5.0 Site Requirements

5.11 Condensate Disposal Pipe Runs (cont.)

Underfloor Runs

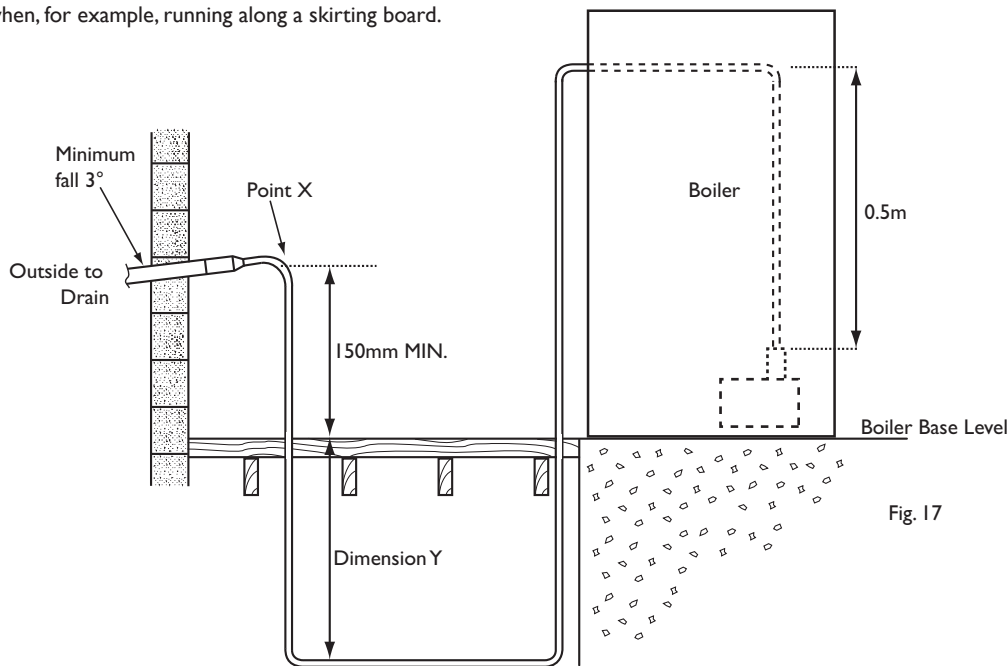
10. On installations where the discharge pipe is routed lower than the outlet connection Point 'X' must always be at least 150mm above the baseline of the boiler (Fig. 17).

11. Once larger diameter pipe is used smaller pipe must not be fitted further downstream.

12. There must be no air breaks within the dwelling !

13. When calculating the vertical run* it is necessary to include the 0.5m from the pump to the boiler outlet. To this add the distance from the lowest point on the discharge pipe to the base level of the boiler (Dimension Y). Then add the height of discharge pipe from the boiler base level to Point X (i.e. the point at which the condensate is removed by gravity). This must be a MINIMUM of 150mm above the base of the boiler to prevent syphonic action emptying the sump

NOTE: The diagram illustrates the condensate disposal pipe being routed under floor level. The same principle and minimum dimensions apply when, for example, running along a skirting board.



IMPORTANT: Any pipe runs in unheated areas must be suitably insulated.

Fig. 17

Maximum Vertical Run* (m)	2.5	2.0	1.5	1.0	0.5
Maximum Horizontal Run (m)	8.0	8.5	9.0	9.5	10.0
Maximum No. of 90° Elbows	4	5	6	7	8

BAXI

A Trading Division of Baxi Heating UK Ltd (3879156)
 Brooks House, Coventry Road, Warwick. CV34 4LL
 After Sales Service 0844 871 1525 Technical Enquiries 0844 871 1555
 Website www.baxi.co.uk
 e&oe

PART OF BDR THERMEA

© Baxi Heating UK Ltd 2011

TP243- Iss.1 - (3/11)