



WATER HEATERS
5 TO 30 LITRES



The flexible choice in water heating



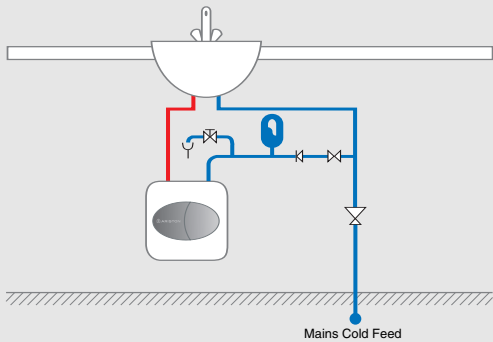
We all need hot water for washing and cleaning.

Being able to turn on a hot tap and get instant hot water is something we all expect. Sometimes however the design of, or changes we make to, our home or office environment mean that achieving this simple aim appears rather complex – not anymore.

Ariston have a range of products which easily and economically fit into any situation, from the 5 litre Piccolo to the 30 litre Europrisma.

These water heaters are designed to deliver hot water to one or more sinks in a wide range of locations; from many applications within the home e.g. cloakrooms and loft conversions to small industrial units, warehouses, doctors' and dentists' surgeries and cafes.

1 unvented single installation



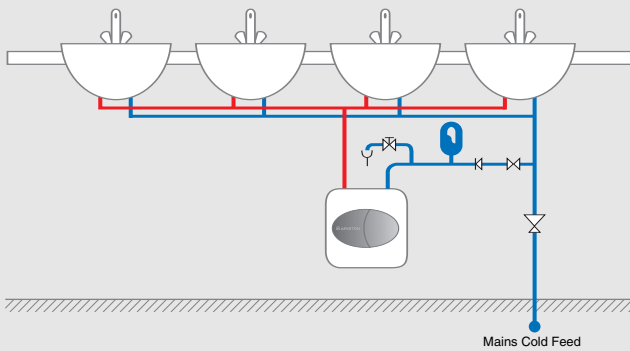
If you want your hot water at mains pressure, then any of the water heaters can easily be connected to your incoming cold water main. Or, if your cold water comes from a storage tank, then the Eureka and Piccolo are ideally suited for connection to a gravity fed system.

It is important to note that the larger 30 litre Europrisma is subject to the requirements of Building Regulations and must be fitted by a fully qualified 'Competent Person' who holds the necessary certification. Unvented units of 15 litres and under are not subject to the same regulations but should however only be fitted by a suitably trained person.

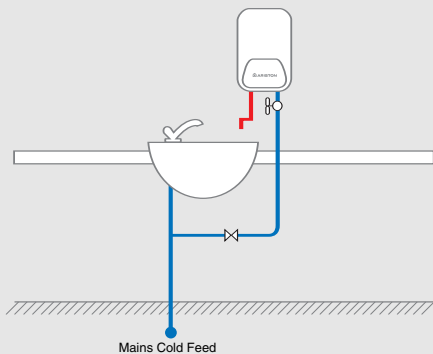
In addition to the above units, Ariston also has a complete range of larger unvented cylinders (50 litres to 500 litres), which are suitable for all domestic and light commercial applications. These innovative and easily installed products are detailed in the Ariston 'Unvented Cylinder' literature.

If you require further technical advice or information, our highly experienced technical advisors can be contacted on 0870 241 8180. Should you wish to achieve 'Competent Person' status then Ariston run training courses at various centres nationwide. Our Training Co-ordinator can be contacted on 01494 755600

2 unvented multiple installation



3 open outlet installation



10-15-30 LITRES
3 YEAR GUARANTEE

OVER SINK AND UNDER-SINK
WATER HEATERS

3 FREE
3 year
guarantee



ENAMELLED
STEEL TANK



IP25D



POLYURETHANE
INSULATION



TEMPERATURE
REGULATION

- QUALITY STEEL TANK WITH EXCLUSIVE VITREOUS ENAMEL COATING (GLASS LINING)
- REGULATION & SAFETY THERMOSTAT
- EXTERNAL TEMPERATURE CONTROL
- HEATING INDICATOR LIGHT
- SIMPLE INSTALLATION
- 3 YEAR TANK GUARANTEE (1 YEAR GUARANTEE ON ELECTRICAL COMPONENTS)
- ENVIRONMENTALLY SOUND AND HIGHLY EFFICIENT THERMAL INSULATION

*multi
point*



Technical data - Overall dimensions

		EP 10 OR	EP 10 UR	EP 10 UR/2kW	EP 15 OR	EP 15 UR	EP 15 UR/2kW	EP 30 R		EP 10 OR	EP 10 UR	EP 10 UR/2kW	EP 15 OR	EP 15 UR	EP 15 UR/2kW	EP 30 R
Capacity	l	10	10	10	15	15	15	30	a mm	350	350	350	350	350	350	440
Power	W	3000	3000	2000	3000	3000	2000	3000	b mm	255	255	255	300	300	300	365
Voltage	V	240	240	240	240	240	240	240	c mm	350	350	350	350	350	350	440
Reheat time (ΔT= 50°C)	min.	12	12	17	18	18	26	58	d mm	90	90	90	80	80	80	110
Max. Working Temp.	°C	80	80	80	80	80	80	75								
Heat loss (kWh/24h) 60°C		0,50	0,67	0,67	0,70	0,87	0,87	0,90								
Typical application*		D	D	A	C/E/G	C/E/G	B	F/H								

***Typical application**

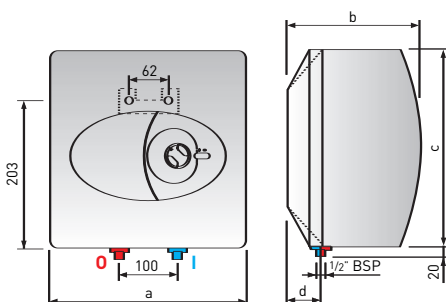
A: Low usage 1/2 basins/1 sink; (small kitchens, en suite bathrooms, loft conversions and cloakrooms)

B: Low usage 2/3 basins/1 sink; (kitchens, garages, factories and WCs)
C: Low usage 4/5 basins/2 sinks; (WC blocks)

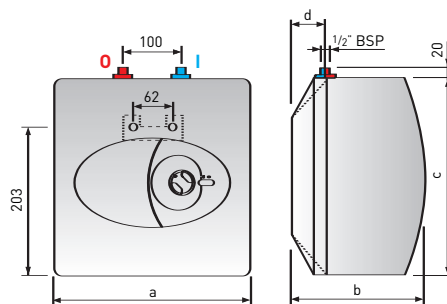
D: Medium usage 2/3 1/2 basins/1 sink
E: Medium usage 2/3 basins/2 sinks
F: Medium usage 4/5 basins/2 sinks

G: Heavy usage 1/2 basins/1 sink
H: Heavy usage 2/3 basins/1 sink

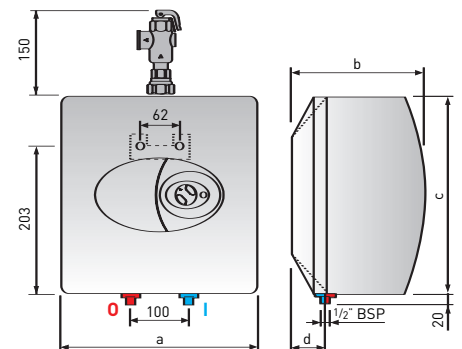
EUOPRISMA OVER-SINK 10-15 LITRE



EUOPRISMA UNDER-SINK 10-15 LITRE



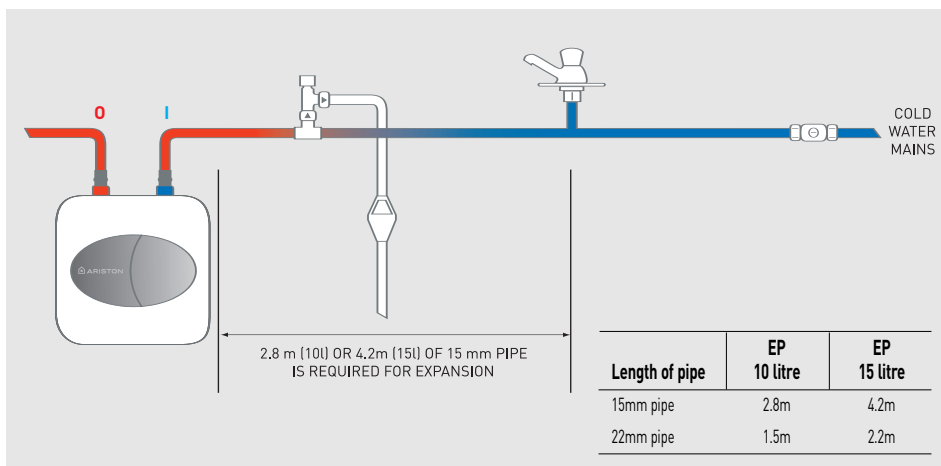
EUOPRISMA OVER-SINK 30 LITRE



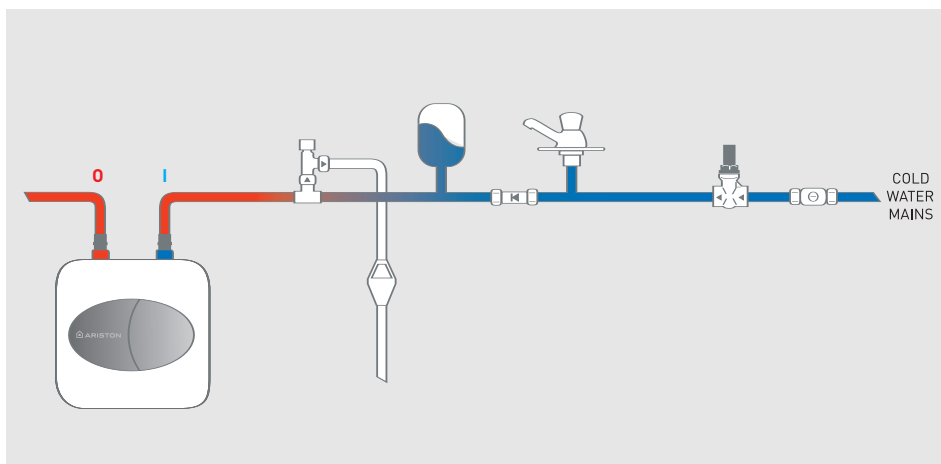
■ Cold water inlet G 1/2"

○ Hot water outlet G 1/2"

The Europrisma 10 and 15 litre capacity units can be installed in one of two ways. The following guidelines are designed to help select the correct method prior to installation.



USED FEED PIPE TO ACCOMMODATE EXPANSION
Current Water Regulations and Byelaws permit unvented water heaters with capacity of 15 litres or less to accommodate the expansion of water that occurs during the heating cycle in the system pipe work. To achieve this the pipe work between the nearest cold water draw off and the water heater must be of sufficient volume to accommodate the expansion.



USING AN EXPANSION KIT
If it is not possible to accommodate the expansion in the system pipe work, it is then necessary to use an expansion vessel and non-return valve (Kit A). If the mains water pressure may exceed 3.5 bar a pressure reducing valve (Kit B) should also be installed. The discharge from relief valves must be made in a safe and conspicuous manner; therefore a tundish (Kit C) is available for 10 and 15 litre units if required.



Optional Kit A:
Expansion vessel
and check valve



Optional Kit B:
Pressure reducer with
integral line-strainer



Optional Kit C:
Tundish for 10
and 15 litre units

The Europrisma EP 30 R is covered by the Building Regulations and it is not permissible to accommodate the expansion water within the system pipework. Expansion controls must be installed. The EP 30 R is supplied with a tundish as standard.

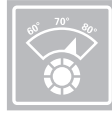
10 YEAR
GUARANTEE

OPEN OUTLET ELECTRIC STORAGE
WATER HEATER

10 FREE
10 year
guarantee



IP25D



TEMPERATURE
REGULATION

- OPEN OUTLET - SUITABLE FOR MAINS OR GRAVITY FEED
- MANUFACTURED FROM A CORROSION PROOF PLASTIC MATERIAL
- COMPLETELY RECYCLABLE AND ECOLOGICALLY SOUND
- EXTERNAL TEMPERATURE CONTROL
- HEATING INDICATOR LIGHT
- EQUIPPED WITH DIRECTIONAL SPOUT
- ILLUMINATED ON/OFF SWITCH
- CERAMIC DISC MIXING VALVE
- 10 YEAR TANK GUARANTEE (1 YEAR GUARANTEE ON ELECTRICAL COMPONENTS)

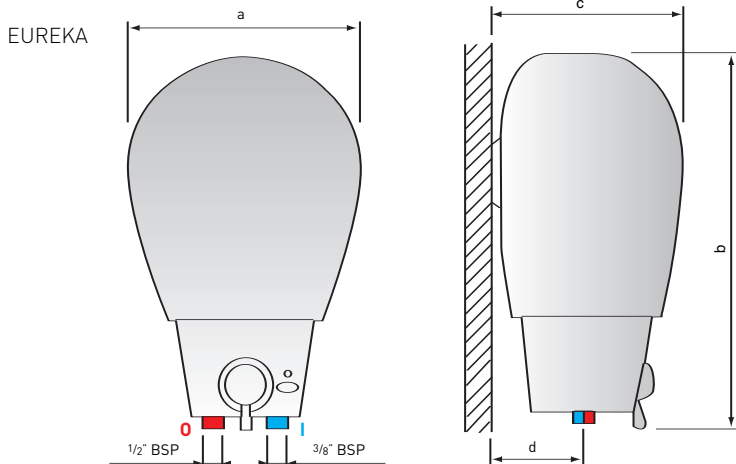
*hot water
everywhere*

Technical data - Overall dimensions

		EUREKA		
Capacity	l	13	a mm	320
Power	kW	2000	b mm	490
Voltage	V	240	c mm	230
Heating time ($\Delta T = 50^{\circ}\text{C}$)	min.	30	d mm	130
Maximum temperature	$^{\circ}\text{C}$	75		
Heat loss (kWh/24h) 60 $^{\circ}\text{C}$		-		

Typical application

Low usage 1/2 basins/1 sink; (small kitchens, en suite bathrooms, loft conversions and cloakrooms)



■ Cold water inlet G 1/2"

○ Hot water outlet G 1/2"

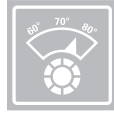
10 YEAR GUARANTEE

OPEN OUTLET ELECTRIC STORAGE WATER HEATER

10 FREE 10 year guarantee



IP25D



TEMPERATURE
REGULATION

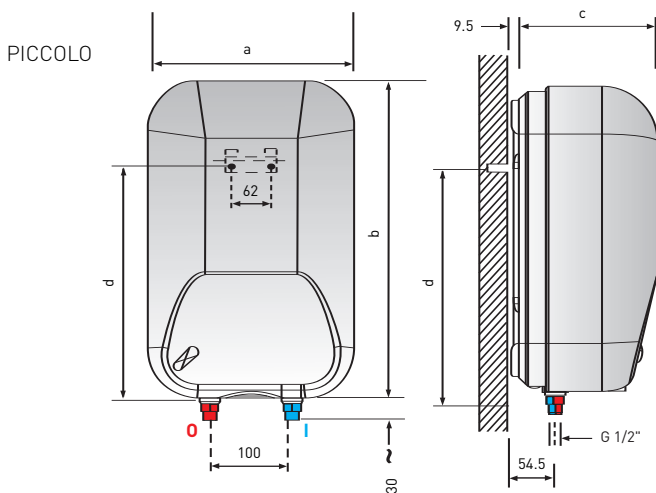
- OPEN OUTLET - SUITABLE FOR MAINS OR GRAVITY FEED
- MANUFACTURED FROM A CORROSION PROOF PLASTIC MATERIAL
- COMPLETELY RECYCLABLE AND ECOLOGICALLY SOUND
- EXTERNAL TEMPERATURE CONTROL
- HEATING INDICATOR LIGHT
- EQUIPPED WITH DIRECTIONAL SPOUT
- ILLUMINATED ON/OFF SWITCH
- CERAMIC DISC MIXING VALVE
- 10 YEAR TANK GUARANTEE (1 YEAR GUARANTEE ON ELECTRICAL COMPONENTS)

*single
point*

Technical data - Overall dimensions

		PICCOLO ARKS 50	PICCOLO ARKS 50
Capacity	l	5	a mm
Power	kW	2000	b mm
Voltage	V	240	c mm
Heating time ($\Delta T=50^{\circ}\text{C}$)	min.	9	d mm
Maximum temperature	$^{\circ}\text{C}$	85	
Heat loss (kWh/24h) 60°C		0.25	

Typical application
Low usage 1/2 basins/1 sink; (small kitchens, en suite bathrooms, loft conversions and cloakrooms)



I Cold water inlet G 1/2"

O Hot water outlet G 1/2"



MTS (GB) Limited
MTS Building
Hughenden Avenue
High Wycombe
Bucks HP13 5FT
Telephone 01494 755600
Fax 01494 459775

Technical Advice & Customer Service
Fax 01494 463066
technical@uk.mtsgroup.com
info@uk.mtsgroup.com

www.ariston.co.uk

 **0870 241 8180**
technical advice

 **0870 600 9888**
customer service