

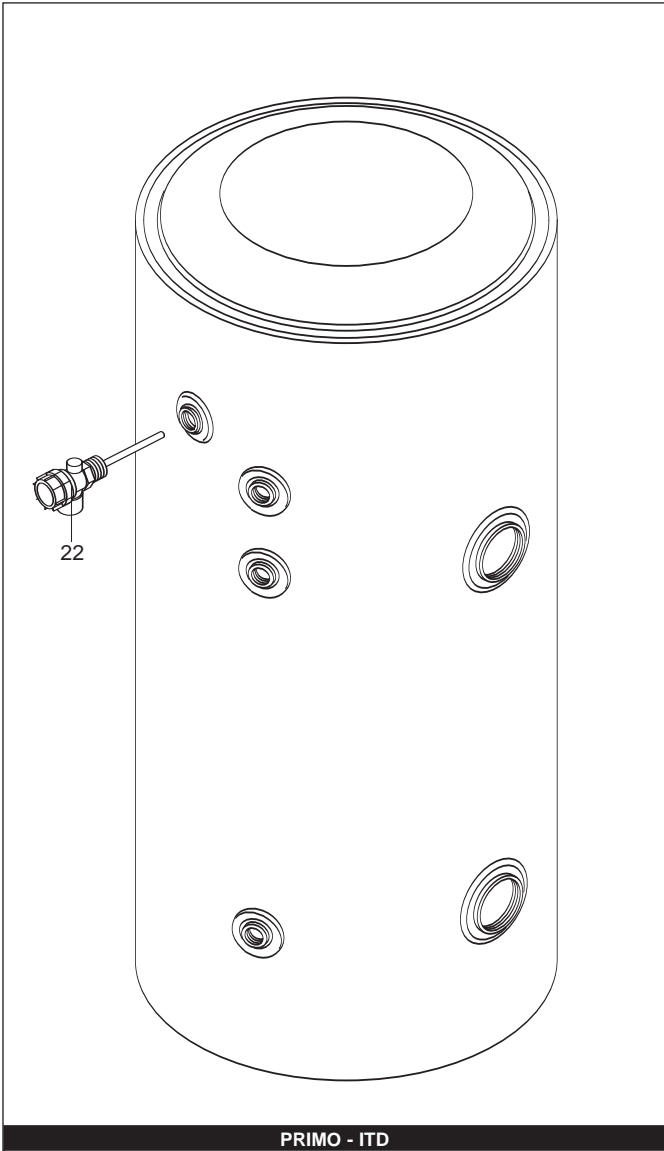
# SPARE PARTS EXPLODED VIEW STORAGE ELECTRIC WATER HEATERS

Model

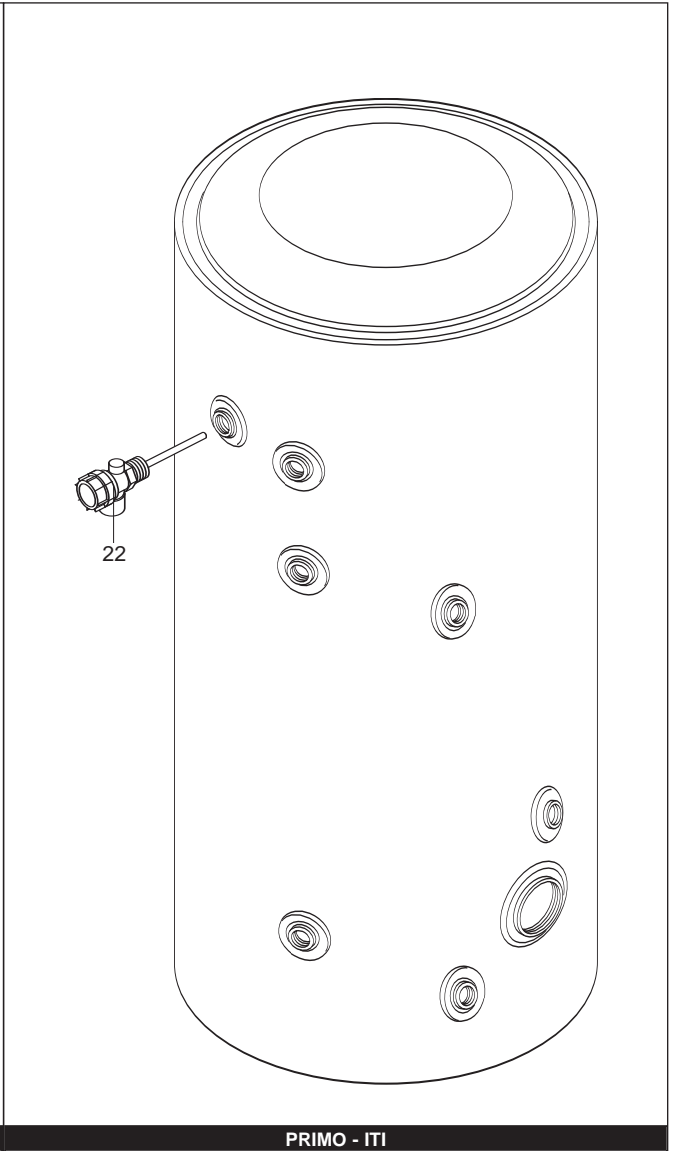
## **PRIMO ITD - ITI**

R8202844-03EN - Edition 03 - 14/11/2006

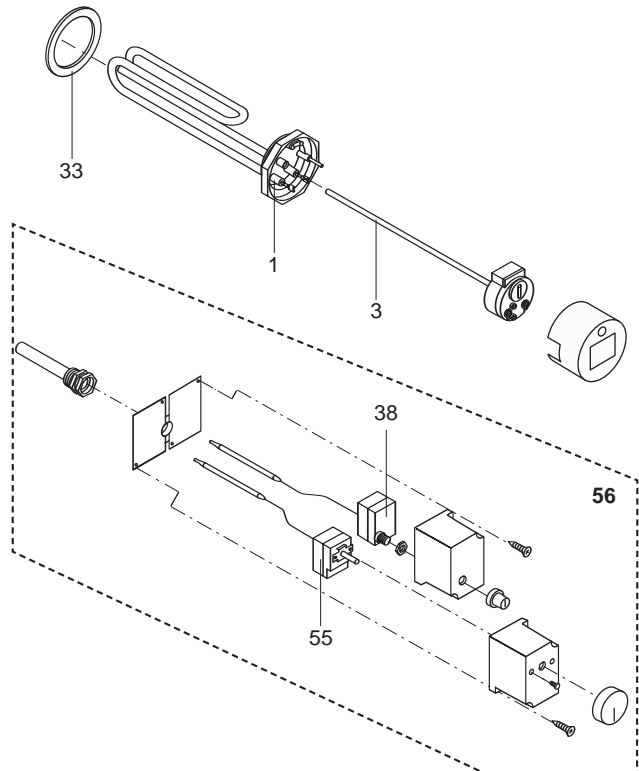
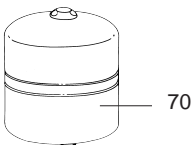
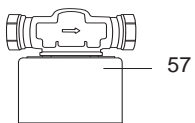
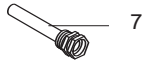
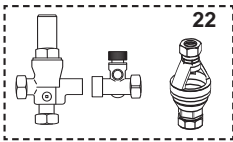
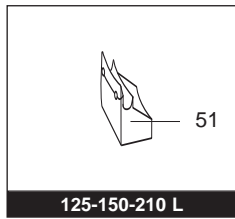
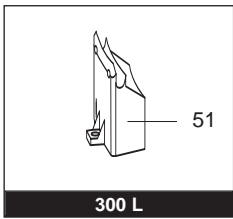
894 044		PRIMO - ITD 125	06/04	...
894 048		PRIMO - ITI 125	06/04	...
894 045		PRIMO - ITD 150	06/04	...
894 049		PRIMO - ITI 150	06/04	...
894 046		PRIMO - ITD 210	06/04	...
894 050		PRIMO - ITI 210	06/04	...
306 0039		PRIMO TWIN - ITSI 210 (TWIN COIL)	07/06	...
894 047		PRIMO - ITD 300	06/04	...
894 051		PRIMO - ITI 300	06/04	...
300 0056		PRIMO TWIN - ITSI 300 (TWIN COIL)	06/06	...
Reference	Ind.	Model type	Begin	End



PRIMO - ITD



PRIMO - ITI





## LIST OF THE ABBREVIATIONS

HW .....	: Hot water.
CW .....	: Cold water.
C .....	: Ceramic resistance (nomral heating).
Ca .....	: Ceramic resistance (accelerated heating)
TP .....	: Immersion heater.
1F .....	: With fittings.
2F .....	: Without fittings.
3F .....	: With fittings and another outlet connection.
AMI .....	: With mixing valve.
SMI .....	: Without mixing valve.
PUISS .....	: Power of th appliance.
PN .....	: Appliance with normal pression.
LP .....	: Appliance with low pression.
PV .....	: Appliance with variable power.
PF .....	: Appliance with fixed power..

## IDENTIFICATION PLATE

### SERIAL NUMBER

E : 95 01 06500 4(from 01/93 to 06/95)  
 Sequential number  
 Month of manufacture : from 1 to 12 ⇒ January to December  
 Year of manufacture

E : 01 95 06500 4(from 07/95)  
 Sequential number  
 Year of manufacture  
 Month of manufacture : from 1 to 12 ⇒ January to December

Ex: 003 126 0001 893077 OR  
 Product reference  
 Sequential number  
 Manufacturing day Ex:126 day of the year  
 Year of manufacture

The indications mentionned on the prices, commercial or technical literature and the scheme are written for your guidance and are available at a given time. The CONSTRUCTOR retains the power to modify the presentation, the form, the size, the conception or the material of the products.