

# SPARE PARTS EXPLODED VIEW STORAGE ELECTRIC WATER HEATERS

Model

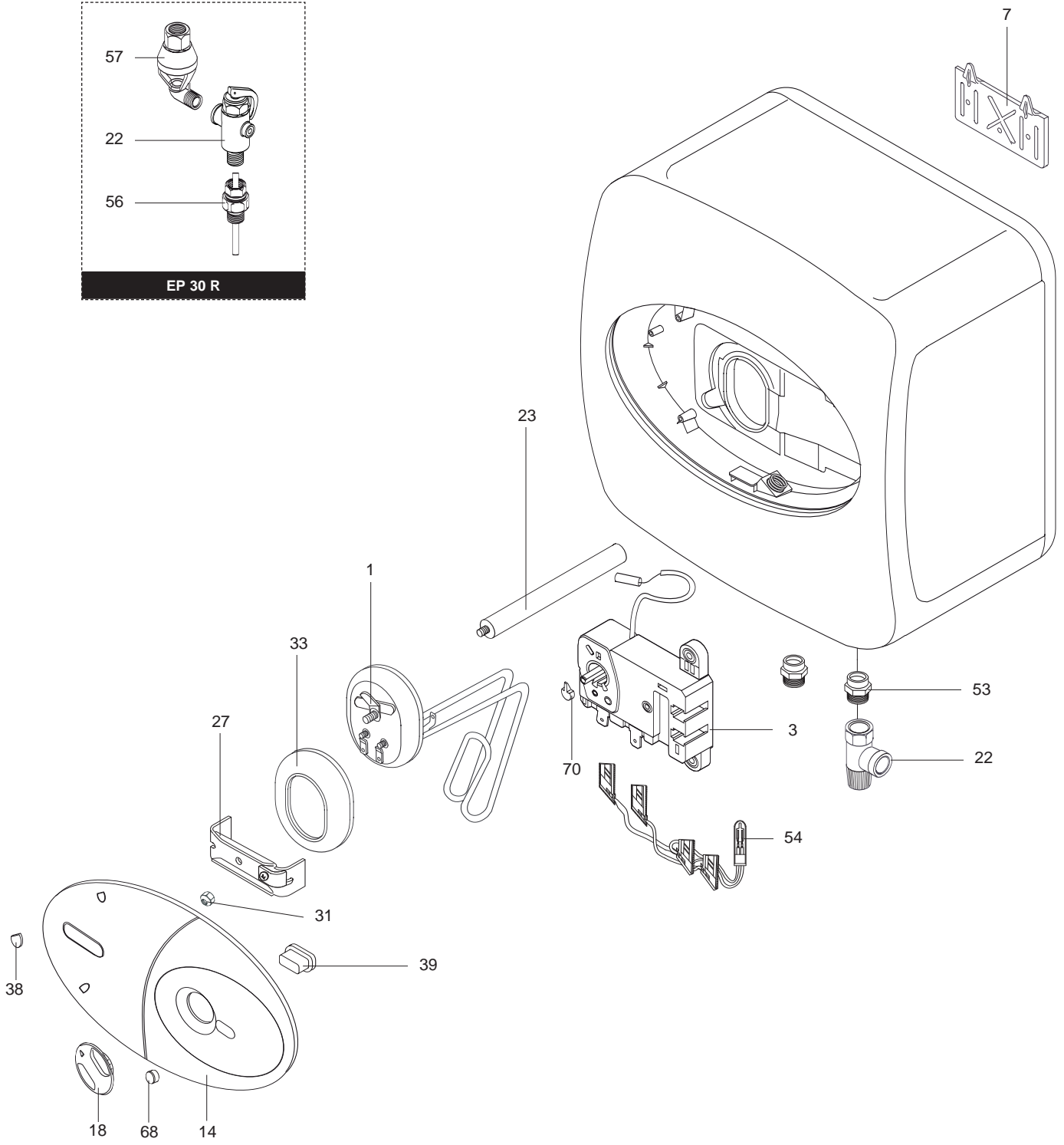
**EP**

R8215481-05EN - Edition 05 - 01/04/2008

EP

Storage Electric Water Heaters

877 068		EP 10 UR 2KW	...	...
877 066		EP 10 OR 3KW	...	...
877 067		EP 10 UR 3KW	...	...
877 071		EP 15 UR 2KW	...	...
877 069		EP 15 OR 3KW	...	...
877 070		EP 15 UR 3KW	...	...
877 072		EP 30 R 3KW	...	...
Reference	Ind.	Model type	Begin	End



Key N	Description	Manf. Pt. N	Type	10			15			30			Manf. date	
				3kW	3kW		3kW	3kW		3kW	3kW		from	to
0001	ELEMENT 2000W 200-240V	65104011		•	•									
	ELEMENT 3000W 220-240V	65104019						•						
	ELEMENT 3000W 230V	810830			•		•							
0003	THERMOSTAT	65101079		•	•	•	•							09/06
	THERMOSTAT	65102252						•						
	THERMOSTAT	65104058		•	•	•	•						10/06	
0007	HEATER WALL HANGING BRACKET	570341		•	•	•	•	•						
0014	PLASTIC COVER	65100872		•	•	•	•							02/04
	PLASTIC COVER	65101369						•						10/06
	PLASTIC COVER + SWITCH PROTECTION	65102518		•	•	•	•						03/04	09/06
	PLASTIC COVER + NEON LENS	65103778		•	•	•	•						10/06	
	PLASTIC COVER + NEON LENS	65104688						•					11/06	
0018	KNOB	65100875		•	•	•	•	•						
0022	TEMPERATURE+PRESSURE RELIEF VALVE	570100						•						03/08
	SAFETY VALVE (6 BAR)	572447		•	•	•	•							
	TEMPERATURE+PRESSURE RELIEF VALVE	969046						•					04/08	
0023	ANODE D:16 L:210 M5	570241						•						02/04
	ANODE D:14 L:150 M4	574305		•	•	•	•							
	ANODE D:16 L:195	65104164						•					03/04	
0027	FLANGE BRACKET	570024		•	•	•	•	•						
0031	NUT M6	570069		•	•	•	•	•						
0033	FLANGE GASKET	994196		•	•	•	•	•						
0038	SCREW COVER	65100874		•	•	•	•	•						
0039	SWITCH COVER	65100873		•	•	•	•	•						09/06
0053	CONFECTION DIELECTRIC JOINTES 1/2	571397		•	•	•	•	•						
0054	WIRING	570077		•	•	•	•	•						09/06
	WIRING	65104037		•		•							10/06	
	WIRING	65104689			•		•						10/06	
0056	UNION (T+P VALVE M/F 3/4 -1/2 )	570199						•						
0057	TUNDISH (1/2 )	570017						•						
0068	SIGNAL LAMP CAP	573070						•						
	SIGNAL LAMP CAP	573070		•	•	•	•						10/06	
0070	CAP (REGULATION)	570029		•	•	•	•	•						

## LIST OF THE ABBREVIATIONS

HW .....	: Hot water.
CW .....	: Cold water.
C .....	: Ceramic resistance (normal heating).
Ca .....	: Ceramic resistance (accelerated heating)
TP .....	: Immersion heater.
1F .....	: With fittings.
2F .....	: Without fittings.
3F .....	: With fittings and another outlet connection.
AMI .....	: With mixing valve.
SMI .....	: Without mixing valve.
PUISS .....	: Power of th appliance.
PN .....	: Appliance with normal pression.
LP .....	: Appliance with low pression.
PV .....	: Appliance with variable power.
PF .....	: Appliance with fixed power..

## IDENTIFICATION PLATE

### SERIAL NUMBER

Ex: 03 09 08 (Until 12/06)

OR

Ex: 02 11 00001 007843

Ex: 3200050 XX 070115 0000001 (From 01/07)

The indications mentioned on the prices, commercial or technical literature and the scheme are written for your guidance and are available at a given time. The CONSTRUCTOR retains the power to modify the presentation, the form, the size, the conception or the material of the products.