

High efficiency heating solutions for the home

Head Office:

Nepicar House
London Road
Wrotham Heath
Kent
TN15 7RS

Scotland:

Unit 8
Crest Business Centre
2 Glen Tye Road
Stirling
FK7 7LH

Ireland:

Alpha Therm (Ireland) Ltd
Peamount Business Centre
Newcastle
County Dublin

Useful numbers:

General sales enquiries	0844 871 8760
Order/Delivery enquiries	0844 871 8761
Sales order fax	0844 871 8762
Sales order email	orders@alpha-innovation.co.uk
Training academy	0844 871 8763
Technical helpline	0844 871 8764
General enquiries (Ireland)	01 621 2939

www.alpha-innovation.co.uk



High efficiency boilers

GasSaver

FlowSmart

SolarSmart

Controls

Flueing



Benefit from high efficiency

Replacing an old heating system with a modern, efficient version immediately has a positive effect. With less energy consumed, household bills and CO₂ emissions quickly begin to tumble.

Long-term, this frees-up money to spend on the better things in life and helps to protect the environment for future generations.

But the benefits don't end there because – in the event of a property sale – it also helps maximise value. What's more, with the advent of Home Information Packs (HIPs), it will also help push the sale through swiftly and smoothly.

Make Alpha your first choice

As a supplier of heating appliances in the UK for 45 years now, many people have come to rely on Alpha to satisfy their daily heat and hot water demands.

Alpha is part of the Italian owned Immergas Group, which has produced an estimated 4 million boilers and is regarded as one of Europe's leading heating appliance manufacturers.

We provide a winning combination – a varied product range that includes some of the most innovative heating solutions available today, together with service levels that remain unparalleled in the market place.



You can rely on an Alpha

All of our products feature only the best quality components and are rigorously tested prior to being dispatched from the factory.

To give you complete confidence, we supply them with generous all-inclusive guarantees that cover every component supplied. For complete flexibility, many products even come with a choice of cover periods.

Help is always at hand

We provide award-winning service. Whether you need help choosing the right heating appliance, or you experience difficulty during or after installation, we are here to assist. For technical problems, just call our Helpline to speak to one of our dedicated customer service engineers.

We're here to help
0844 871 8764

We'll protect you

Arguably, no heating appliance manufacturer does more than Alpha to protect the livelihoods of legitimate installers and the safety of the general public. This work includes a number of measures to prevent engineers from operating illegally.

The Gas Safe Register superseded the CORGI Gas Registration scheme on 1 April 2009. All gas engineers must subsequently be Gas Safe registered in order to carry out gas work legally. Home owners should always insist on seeing an installer's Gas Safe ID card prior to having any gas work carried out.



For more information on the Gas Safe Register, go to www.gassaferegister.co.uk or call 0800 408 5500.



Making even more of high efficiency

All the boilers in this brochure are SEDBUK Band 'A' rated, so you can choose any one of them safe in the knowledge that they are amongst the most energy efficient as any boiler available today.

But don't forget to consider GasSaver, FlowSmart and SolarSmart before you make your selection. Featuring advanced technology, they are designed to operate with the boiler, taking energy efficiency to previously unattainable levels.

save
£312*
a year

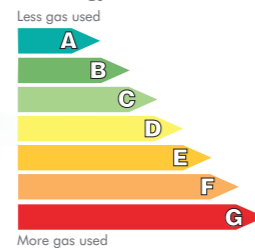
Time to upgrade?



Of the many boilers currently in use that are five years old or more, the vast majority are standard efficiency. These operate at between only 50% and 75% efficiency, so that up to half of the energy they use is being wasted.

Operating at 90% efficiency, high efficiency boilers waste far less energy – resulting in significantly reduced ongoing household energy bills and CO₂ emissions.

EU Energy Label



Changing to Alpha high efficiency

All Alpha high efficiency boilers are SEDBUK Band 'A' rated – the highest possible SEDBUK energy efficiency rating.

To optimise efficiency further still, we recommend you also consider enhancing your new Alpha high efficiency boiler with GasSaver, SolarSmart and FlowSmart.

GasSaver recycles heat from the waste gases normally expelled through the boiler flue, while SolarSmart utilises free energy from the sun. FlowSmart – which comprises a boiler, GasSaver and thermal store – provides an exceptionally energy efficient solution for homes with above average hot water demands.

Extended peace of mind

We do everything we can to give our customers the long-term peace of mind they desire.

Boiler parts and labour guarantees cover every individual component supplied. We even make it possible to easily extend the cover period of selected models.

When fitted with CDC, CDX and CDS models, the optional PremierPack automatically adds 2 years to the boiler guarantee.

If you are considering a CD28C, take a look at our special CD Extra package, which comes with a 10 year parts and 5 year labour guarantee!



*Source data DEFRA. For more details visit www.alpha-innovation.co.uk/energysavings



Features overview

- 3 year guarantee
- Exceptional energy efficiency
- Ideal for households with above average hot water demands
- Delivers hot water for long periods
- High flow rate unaffected by demand
- Simple installation
- Space efficient
- SAP Appendix Q recognised

save
£356*
a year

FlowSmart



For homes with above average hot water demands, look no further than FlowSmart.

FlowSmart at last enables even large households to enjoy the energy efficiency benefits of the combination boiler.

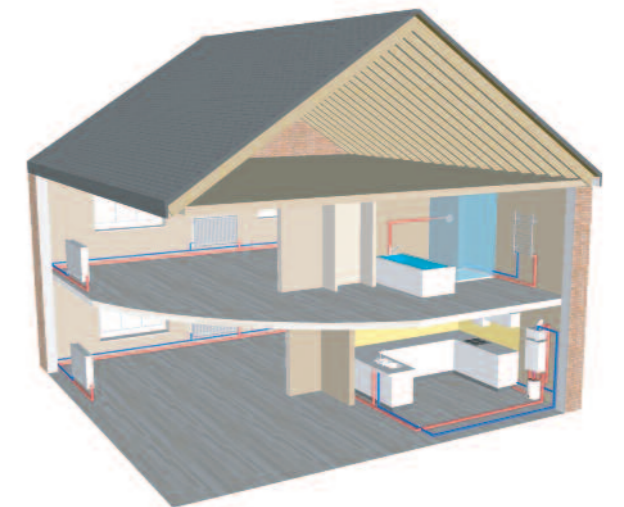
The combination boiler is the best and most energy efficient option for most homes with average hot water demands. They provide hot water only when there is a demand and operate without the need to keep a permanent store of hot water.

But due to limits on the combi boiler's ability to supply large volumes of hot water to a number of outlets at the same time, the less efficient conventional boiler and hot water cylinder set-up is the usual choice for larger properties.



The Alpha FlowSmart system overcomes these issues and in fact, more than matches the hot water performance of a system boiler and 200 litre unvented cylinder, while using 25% less gas.

The system incorporates a CD35C combination boiler, a GasSaver flue gas heat recovery unit and either a 25 or 50 litre thermal store. All components can be sited in a space smaller than the average airing cupboard and there is no need for any tanks in the loft – a useful factor when considering a loft conversion.



*Source data DEFRA. For more details visit www.alpha-innovation.co.uk/energysavings

FlowSmart or a system boiler?

To help you decide, here's a summary of how FlowSmart stands up against a typical system boiler set-up incorporating a 200 litre unvented cylinder.

- Matches hot water flow rate
- Takes up less space
- Delivers hot water for longer
- All components can be sited in a cupboard
- Uses 25% less gas to produce hot water
- Limited pipework requirements make installation simpler
- Doesn't require loft mounted cold water storage



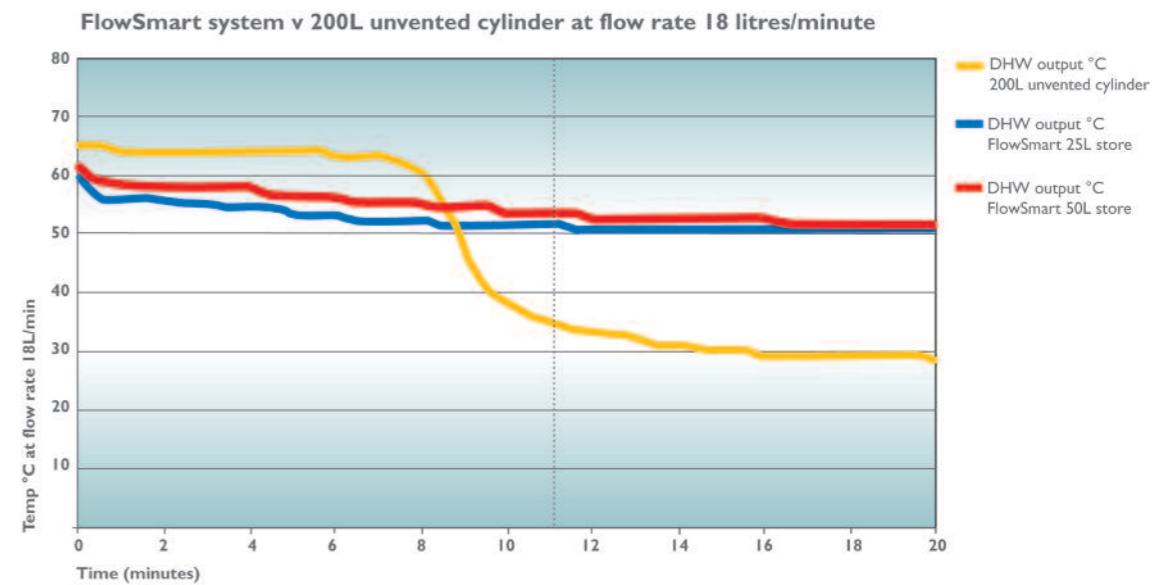
FlowSmart delivers so much more

When it comes to hot water delivery alone, FlowSmart is arguably capable of more than the average system boiler.

Using either the 25 litre or the 50 litre thermal store, FlowSmart delivers 18 litres of hot water per minute, at 50-60°C, for at least 30 minutes.

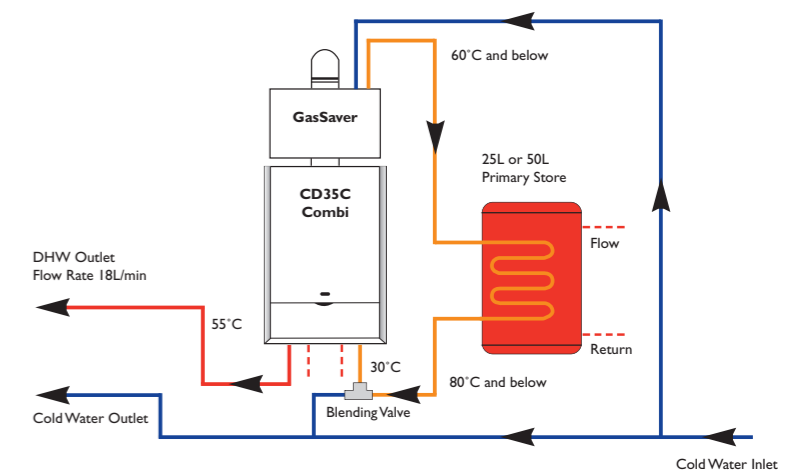
A typical system boiler set-up delivers 18 litres of hot water per minute, at 50-65°C, but only for approximately 9 minutes. After 10 minutes, the water drops to below 40°C.

Please note that the flow rate of hot water achievable is dependent on the incoming mains supply, whichever system you choose.



How FlowSmart works

1. When there is a hot water demand, mains cold water flows into the GasSaver, where it is pre-heated using heat reclaimed from boiler flue gases.
2. It then passes through the thermal store's copper coil heat exchanger where it is heated further by surrounding hot water from the primary system (also known as the central heating system).
3. The water then passes through a blending valve, where it is controlled to an optimum 30°C before entering the boiler.
4. Due to the mains water being pre-heated, the boiler's workload is significantly reduced.
5. This enables the boiler to satisfy heavy hot water demand for long periods, without any detrimental effect to flow rate.





Features overview

- 3 year guarantee
- Seasonality valve
- Designed-in filling loop
- Alpha hydroblock
- Valves & tails factory fitted
- 2m flying mains lead
- Stainless steel heat exchanger
- Daily pump kick



35% more flow rate

Mains water temperature is significantly lower in winter than it is in summer. Most combi boilers require manual adjustment to prevent this adversely affecting hot water temperature. Alpha CDC combination boilers are fitted with a Seasonality Valve which makes this adjustment automatically.

CDC combination boilers



Packed with advanced features, CDC boilers are our flagship combis.

They are available in a choice of three fully-modulating central heating outputs of 25, 28, and 35kW, all of which are SEDBUK Band 'A' rated.

Measuring only 720 x 440 x 300mm, they are ideal for positioning almost anywhere.



Increase your warranty to 5 years.

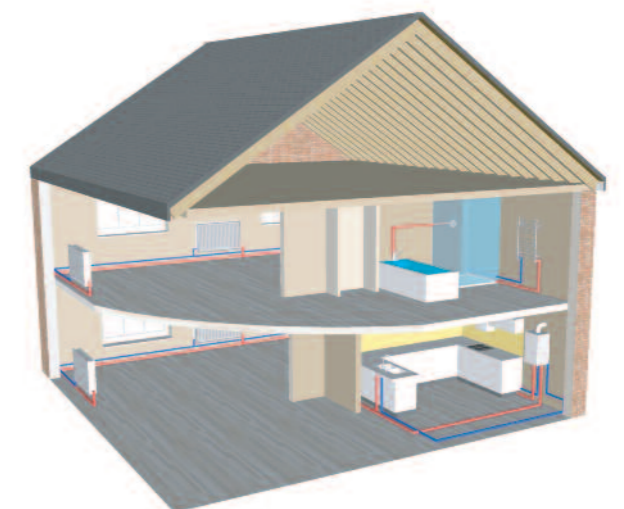
Ask your installer about PremierPack or see page 28 for details.

Get 10 years parts and 5 years labour cover with the CD Extra package.

The popular choice for the average family home, combi boilers provide a 'combination' of central heating as well as hot water, and are the most energy efficient boiler option.

They deliver instant hot water when there is a demand, without the need to maintain a permanent store of hot water in a separate cylinder.

Space usually taken up by a hot water cylinder in an airing cupboard is freed-up, and there is no need for a cold water tank in the loft.



Model	SEDBUK rating	DHW output (kW)	CH output (kW)	Min flow rate l/min	Max flow rate l/min	Dimensions (mm)	GasSaver compatible	SolarSmart compatible	Standard guarantee	Guarantee with PP
CD25C	A	24.3	19.5	9.6	12.9	720x440x300	■	●	3 yr	5 yr
CD28C	A	20.7	25.9	25.9	15.4	720x440x300	■	●	3 yr	5 yr
CD35C	A	34.6	30.3	14.2	19.1	720x440x300	■	●	3 yr	5 yr
CD Extra*	A	20.7	25.9	25.9	15.4	720x440x340	■	●	10 yr	n/a

*CD Extra – special package offering a 10 year parts and 5 year labour guarantee on a CD28C boiler.

Control options	■ 7 day digital EasyStat	■ 24 hour mechanical EasyStat	■ Digital clock	■ Mechanical clock
-----------------	--------------------------	-------------------------------	-----------------	--------------------



Features overview

- 2 year guarantee
- Valves & tails factory fitted
- 2m flying mains lead
- Stainless steel heat exchanger
- Daily pump kick
- Frost thermostat
- Automatic bypass
- 6 year guarantee on DHW heat exchanger

CDX combination boilers



Our entry level CDX combination boilers are very competitively priced, enabling home owners to enjoy the benefits of Alpha condensing boiler technology no matter how tight the budget is.

They are built to the same high standards as our flagship CDC combination boilers and share many of the features including the compact dimensions.

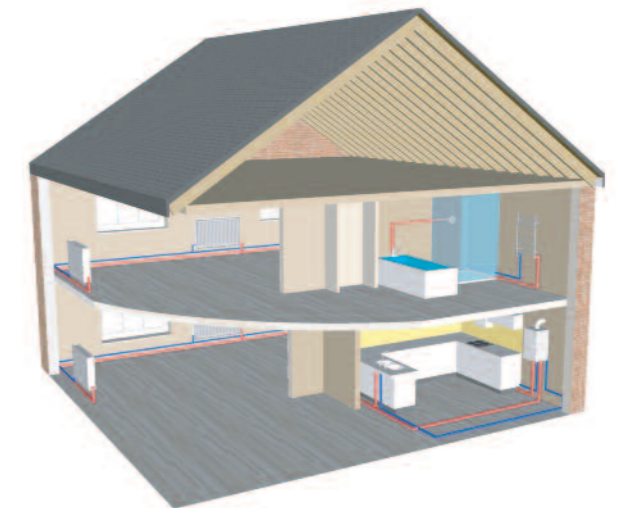


Increase your warranty to 4 years.

Ask your installer about PremierPack or see page 28 for details.

Because we make no compromises where component quality is concerned, they are capable of providing the same outstanding performance and reliability levels as all our other boilers.

There are two CDX models to choose from, with fully-modulating central heating outputs of either 25 or 28kW.



Model	SEDBUK rating	DHW output (kW)	CH output (kW)	Min flow rate l/min	Max flow rate l/min	Dimensions (mm)	GasSaver compatible	SolarSmart compatible	Standard guarantee	Guarantee with PP
CD25X	A	24.0	19.5	9.6	n/a	720x440x330	■	●	2 yr	4 yr
CD28X	A	28.7	25.8	11.4	n/a	720x440x330	■	●	2 yr	4 yr

Control options	■ 7 day digital EasyStat	■ 24 hour mechanical EasyStat	■ Digital clock	■ Mechanical clock
-----------------	--------------------------	-------------------------------	-----------------	--------------------



Features overview

- 3 year guarantee
- Valves & tails factory fitted
- 2m flying mains lead
- Stainless steel heat exchanger
- Daily pump kick
- Frost thermostat
- Automatic bypass
- Anticycling device

CDS system boilers



We've taken system boiler design to new levels with our CDS models.

Measuring just 720 x 440 x 300mm, they are one of the smallest system boilers on the market – and consequently one of the easiest to site and install.

Case styling is in the same modern, high gloss design as our combi boilers, so the CDS won't look out of place in any domestic environment.



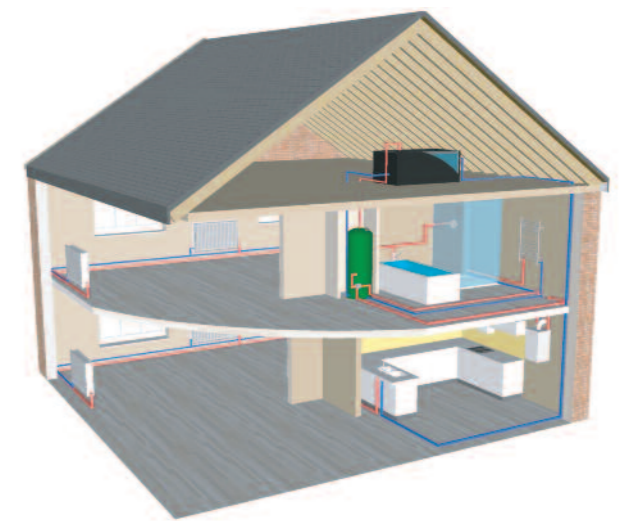
Increase your warranty to 5 years.

Ask your installer about PremierPack or see page 28 for details.

System boilers provide central heating and hot water using a storage cylinder in an airing cupboard. They can satisfy high hot water demands, for example multi bathroom properties.

The hot water in the storage cylinder is kept permanently topped up and, once exhausted, is replenished.

If the system boiler is fitted with an unvented cylinder, there is no need for a cold water storage tank in the loft.



Model	SEDBUK rating	DHW output (kW)	CH output (kW)	Min flow rate l/min	Max flow rate l/min	Dimensions (mm)	GasSaver compatible*	SolarSmart compatible	Standard guarantee	Guarantee with PP
CD12S	A	–	12.8	–	–	720x440x300	■	●	3 yr	5 yr
CD20S	A	–	19.5	–	–	720x440x300	■	●	3 yr	5 yr
CD28S	A	–	30.1	–	–	720x440x300	■	●	3 yr	5 yr

Higher output models also available – see page 29

*When installed in conjunction with an unvented cylinder

Control options	■ 7 Day 2 channel EasyStat	■ 7 Day 2 channel digital clock
-----------------	----------------------------	---------------------------------



Features overview

- 1 year guarantee
- 2m flying mains lead
- Stainless steel heat exchanger
- Daily pump kick
- Frost thermostat
- Pump overrun feature
- Anticycling device
- Simple clock wiring

CDR regular boilers



CDR heating-only boilers are for use on open-vented or – using the Alpha sealed system kit – sealed systems. When fitted with a storage cylinder, they are capable of supplying plenty of hot water.

With a power output ranging from 13kW to 24kW, they provide the flexible answer for the majority of traditional installation scenarios.

Compact dimensions of 600 x 390 x 305mm enable the CDR boilers to be easily sited. With the CD24R being the heaviest at just 28kg, all three models in the range are a simple one-man lift.

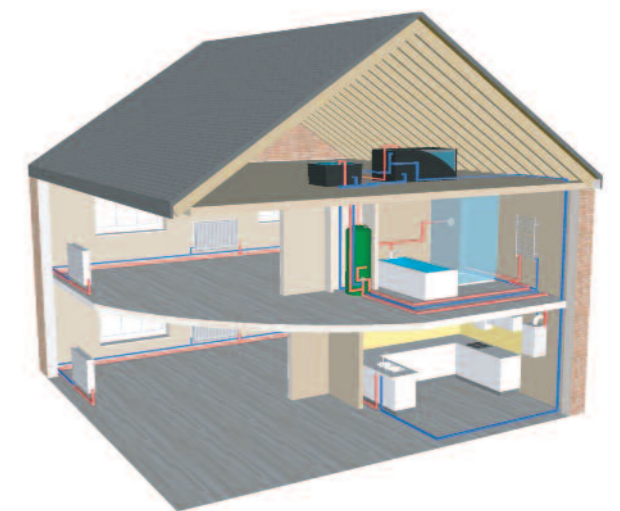
A CDR boiler is the ideal choice if replacing an old cast iron boiler.



Regular boilers, which are often referred to as ‘traditional’ or ‘conventional’ boilers, feature in most older heating systems in the UK.

They provide central heating and hot water using an airing cupboard storage cylinder, and also require a cold water storage tank plus an expansion tank in the loft.

Before replacing an old regular boiler with a new high efficiency regular or system boiler, consider one of our combination boilers or FlowSmart. Both will provide additional energy savings when supplying hot water.



Model	SEDBUK rating	DHW output (kW)	CH output (kW)	Min flow rate l/min	Max flow rate l/min	Dimensions (mm)	GasSaver compatible*	SolarSmart compatible	Standard guarantee
CD13R	A	–	13.1	–	–	600x390x305	■	n/a	1 yr
CD18R	A	–	19.6	–	–	600x390x305	■	n/a	1 yr
CD24R	A	–	25.6	–	–	600x390x305	■	n/a	1 yr

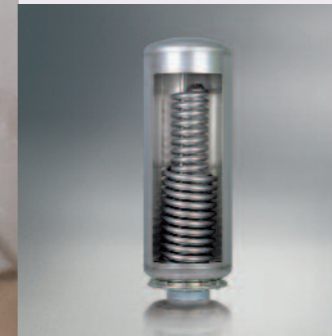
*when installed with an unvented cylinder

Control options	■ 7 Day 2 channel EasyStat	■ 7 Day 2 channel digital clock
-----------------	----------------------------	---------------------------------



Features overview

- 3 year guarantee
- 18 litres/min flow rate @ 55°C
- 3 minute cylinder recovery time
- Built-in 52 litre storage cylinder
- Valves & tails factory fitted
- Stainless steel heat exchanger
- Daily pump kick
- Frost thermostat



Heat exchanger

Inside, a powerful heat exchanger fully recharges the storage cylinder in 3 minutes. This helps ensure the CD50 is able to deliver a continuous supply of hot water even if demand is high.

CD50 storage combination boiler



The CD50 is ideal for homes with above average hot water demands – such as multi-bathroom properties – where a bath may be run at the same time as a shower.

Like other combi boilers, it is capable of impressive energy efficiency. However, thanks to its built-in 52 litre storage cylinder, it delivers large volumes of hot water at a flow rate of 18 litres per minute – enough to fill an average bath in just 3-5 minutes.

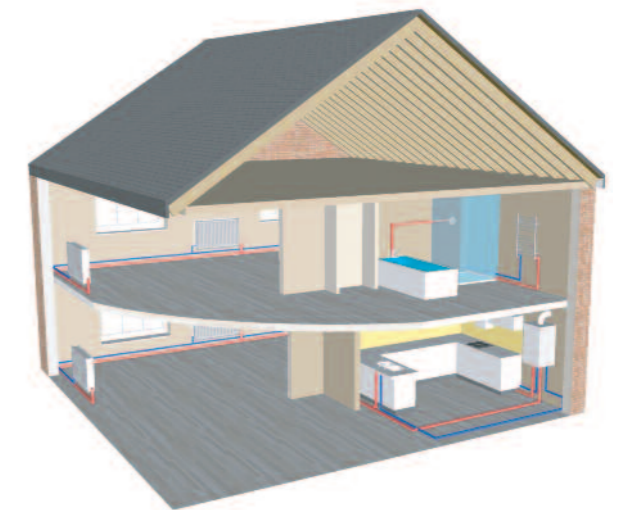
Hence, this is a combination boiler with a difference – offering the installer and the home owner the best of both worlds.



The CD50 feeds directly from the mains water supply, without the need for a separate hot water cylinder or a loft-mounted cold water storage tank.

Despite incorporating a cylinder it is nonetheless small enough and light enough to be wall-hung. This helps save space and makes it easier to position.

Once the hot water store is exhausted, a powerful heat exchanger ensures that it is fully recharged in around three minutes. Meantime, the CD50's automatic flow regulator lower the flow to ensure hot water is still available if immediately required.



Model	SEDBUK Rating	DHW output (kW)	CH output (kW)	Min flow rate l/min	Max flow rate l/min	Dimensions (mm)	GasSaver compatible	SolarSmart compatible	Standard guarantee
CD50	A	32.0	29.7	18.0	–	900x600x450	■	●	3 yr

Control options ■ 7 day digital EasyStat ■ 24 hour mechanical EasyStat ■ Digital clock ■ Mechanical clock

GasSaver



Having a GasSaver fitted to any of our CD boilers is a simple way of taking energy efficiency to a higher level.

Positioned neatly above the boiler, this compact unit extracts heat from waste gases that are normally expelled into the atmosphere through the boiler flue. This is then used to pre-heat cold mains water before entering the boiler.

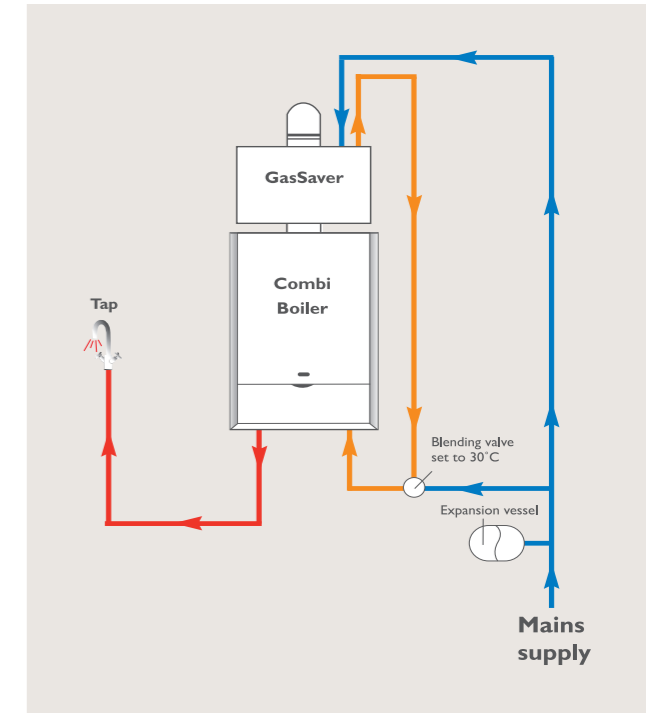
As the boiler is heating warmed water rather than cold, an average 35% less gas is used to produce hot water, reducing your energy bills and saving up to half a ton of carbon per year.

GasSaver operates without any controls, settings or electricity, and is guaranteed for 3 years.



How GasSaver works

1. First it stores the condensate normally expelled into the atmosphere through the boiler flue.
2. Then, heat from this condensate is recycled to pre-heat water coming into the boiler from the cold mains supply.
3. This significantly reduces the amount of gas required by the boiler to heat water.
4. Energy bills and carbon emissions are significantly reduced.



Height:	Width:	Maximum Depth:	Maximum Working Pressure:	Water Store:	Water Inlet:	Water Outlet:	Flue/Connections:
278mm	400mm	285mm	5 BAR	5.5 Litres	15mm	15mm	Boiler Specific

GasSaver is compatible with the Alpha SEDBUK Band 'A' ranges CDC, CDX, CDR, CDS and the CD50 (excludes CD50S and CD70S).

*Source data DEFRA. For more details visit www.alpha-innovation.co.uk/energysavings

Features overview

- Uses 35% less gas*
- 3 year guarantee
- Easy to install
- Maintenance free
- Silent in operation
- Increases boiler efficiency
- Reduces gas consumption
- Reduces carbon emissions
- Reduces nuisance plumbing
- SAP Appendix Q recognised

save
£377*
a year



SolarSmart



The award-winning SolarSmart represents a technological breakthrough, making solar-based domestic water heating more accessible and cost-effective than ever before.

Unlike conventional solar thermal systems which operate with a traditional boiler, SolarSmart uses a combination boiler as back-up, giving it a considerable energy saving advantage.



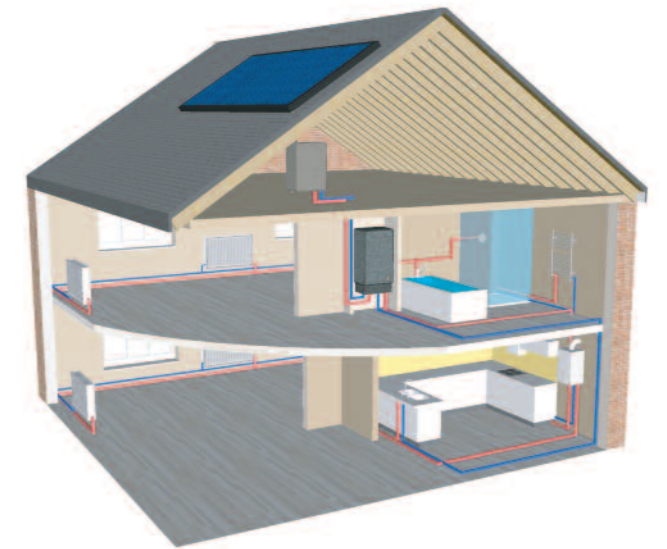
SolarSmart versus the conventional solar thermal system

Conventional solar thermal systems work with a traditional boiler to maintain a stored supply of hot water. Regardless of demand, the boiler fires-up to replenish the stored water as soon as its volume or temperature deteriorates.

With SolarSmart, the stored volume of hot water is ordinarily heated only by the collected solar energy, so no gas is used in maintaining the cylinder temperature.

Should the solar heated water be exhausted, however, the combination boiler fires-up long enough to help satisfy any immediate demand for hot water.

With less paid-for energy used than conventional solar thermal systems, SolarSmart provides users with the opportunity to make even greater reductions to energy bills and CO₂ emissions.



*Source data DEFRA. For more details visit www.alpha-innovation.co.uk/energysavings

Features overview

- 10 year guarantee on collector and cylinder
- Unique combi-based solar thermal solution
- Space saving G3 compliant 90 litre cylinder
- Choice of 'in-roof', 'on-roof' and 'flat roof' fixing kits
- Easy plug-in controls
- WRAS and Building Regulations approved system

save
£400*
a year

Solar Valve

The innovative Solar Valve enables SolarSmart to operate with a combination boiler. If the water in the cylinder is hot enough when there is a demand, it is directed straight to the tap or shower. However, if it needs to be heated further, the Solar Valve diverts it to the boiler.





Stay in control

From a simple plug-in mechanical clock to versatile remote timers, we provide a selection of controls to go with our high efficiency boilers.

They enable users to programme their heating systems to suit their lifestyle and desired comfort level – not to mention control energy bills by optimising efficiency.

Controls



EasyStat gives you ultimate control

There are three models to choose from in our premium controls range, EasyStat. The 24 hour mechanical and a 7 day digital versions are for use with our combination boilers, while the 7 day, 2 channel digital EasyStat is compatible with our system and unvented boilers.

They can be pre-programmed to provide maximum and minimum room temperature or, if preferred, they can be manually overridden using the battery-powered transmitter unit.

All EasyStat controls come with the peace of mind afforded by a 3 year guarantee.



Transmitter

- Battery powered – no wiring necessary or electrician needed
- Can be sited up to 30 metres from the boiler
- Programmable daily timings and temperature
- Full system control

Receiver

- Easy to install
- Simply 'plugs-in' to the boiler in the same way as the standard mechanical clock using the numbered spade connectors
- No hard wiring
- No electrician needed
- Can be retro-fitted into existing Alpha boilers



Flueing and plume management

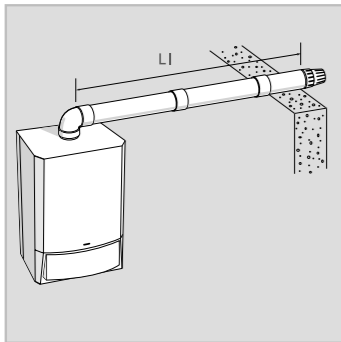
The telescopic CD EasyFlue is finished in white to match our high efficiency boilers. As well as saving up to an hour's installation time, it provides a really neat and stylish finish.

Available in 500mm and 1000mm lengths for simple horizontal flueing, extension kits can also be purchased to allow a maximum of up to 12m horizontal flue or 15m vertical flue, depending on the boiler model.

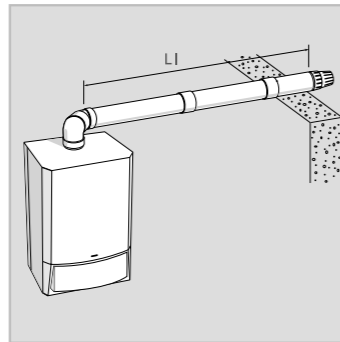
With inner and outer ducts that simply slide together to make the required length, no measuring or cutting is required. Installation is further enhanced by a factory-fitted terminal and two sealing collars.

Horizontal flues

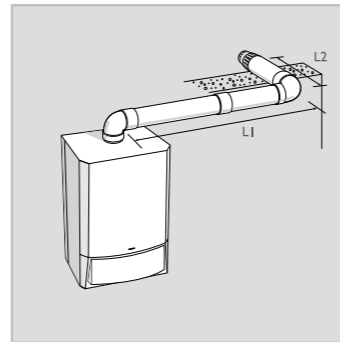
For horizontal flues, purchase telescopic CD EasyFlue with terminal fitted and the relevant number of extensions/bends.



Maximum horizontal flue length (after the boiler turret) is 12m for CD models. Allow 1.3m of flue length for each 90° bend, 0.9m of flue length for each 45° bend.



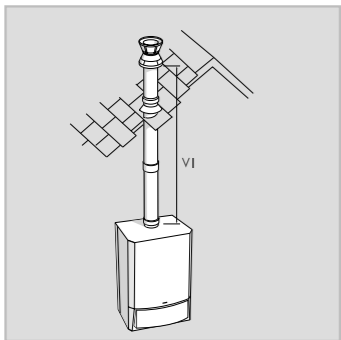
A 90° bend off the top of the boiler angled at 45° to the back wall with a 45° bend attached to it. The maximum flue length (L1) using one 45° bend is 11.1 metres for CD models.



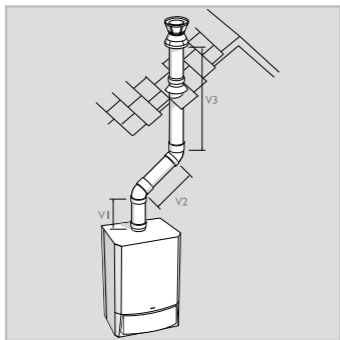
A 90° bend is equivalent to 1.3m of straight flue. Maximum length of flue (L1+L2) with 90° bend is 10.7 metres for CD models.

Vertical flues

For vertical flues, purchase boiler only and the relevant flue components necessary. Allow 0.9m for each 45° bend.



Maximum vertical flue length is 15m for CD models. Allow 0.9m of flue for each 45° bend.



Two 45° bends are equivalent to 1.8m of straight flue. The maximum flue length (V1+V2+V3) with two 45° bends is 13.2m for CD models.

Ridge terminal

As well as providing a discrete finish, the roof-mounted low profile CD Ridge Flue Terminal eliminates nuisance pluming at low levels.

It is used predominantly in new-build situations where a terminal of this type can be easily incorporated into the original building design. It is compatible with any Alpha condensing boiler featuring an Alpha CD concentric (60/100) flue system.



Ridge terminal

Built-in Plume Management Control

The CD EasyFlue comes with a range of plume management options. The standard terminal can be adapted to divert plume at 45° upwards, to the left or right. For applications where there is a need to divert plume further away from the original terminal position, there is a full Plume Management Kit available in black.

Plume Management Accessories

Plume Management – 1000mm extension including wall bracket

Plume Management – 45° elbows x 2

Plume Management – 90° elbow x 1

Plume Management – Flue sealing collar

Plume Management – Wall bracket kit (pack of 5 plain)

Optional Plume Management Kit

The optional Plume Management Kit overcomes the problems of nuisance pluming by giving a choice of where the plume can be directed.

With the ability to direct plume at an angle of 45° upwards or to the left or right, or to divert plume even further away from the terminal position, there is complete siting flexibility.

The standard kit and accessories are available in black and comprise of: 2 x 90° elbows, 1000mm extension pipe, wall bracket and wall collar.

The Plume Management Kit and accessories are available for use in conjunction with the CD EasyFlue to divert plume away from neighbouring properties, openings or anywhere else it has the potential to cause nuisance.

Features overview

- Available in black
- Easy to install
- Reduces nuisance pluming
- Multi-directional terminal
- Push-fit connections
- Total siting flexibility
- Wall bracket included

PremierPack

Fitting any of our CDC, CDX or CDS boilers with the ingenious PremierPack wall-mounting jig automatically gives them an extra 2 year guarantee.

Depending on the boiler model, this means up to 5 years parts and labour cover is possible!

PremierPack incorporates the Alpha Cyclone device which uses centrifugal force to remove any debris from the heating system. This technology is proven to reduce instances of boiler failure through damage to the pump.

It also comes with a host of premium features that make the boiler installation quicker and easier. These include an integral pipe clip plate with variable fixing points, and a copper earth bonding plate pre-cut to fit the boiler pipework configuration.

Once PremierPack is in place, piping-up can be completed prior to the boiler being hung. The boiler simply fits on to the jig's shelf bracket and is easily connected using integral brass swivel fixings.



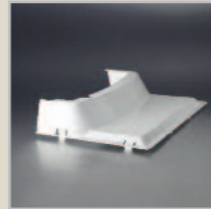
PRV Pipe Terminal



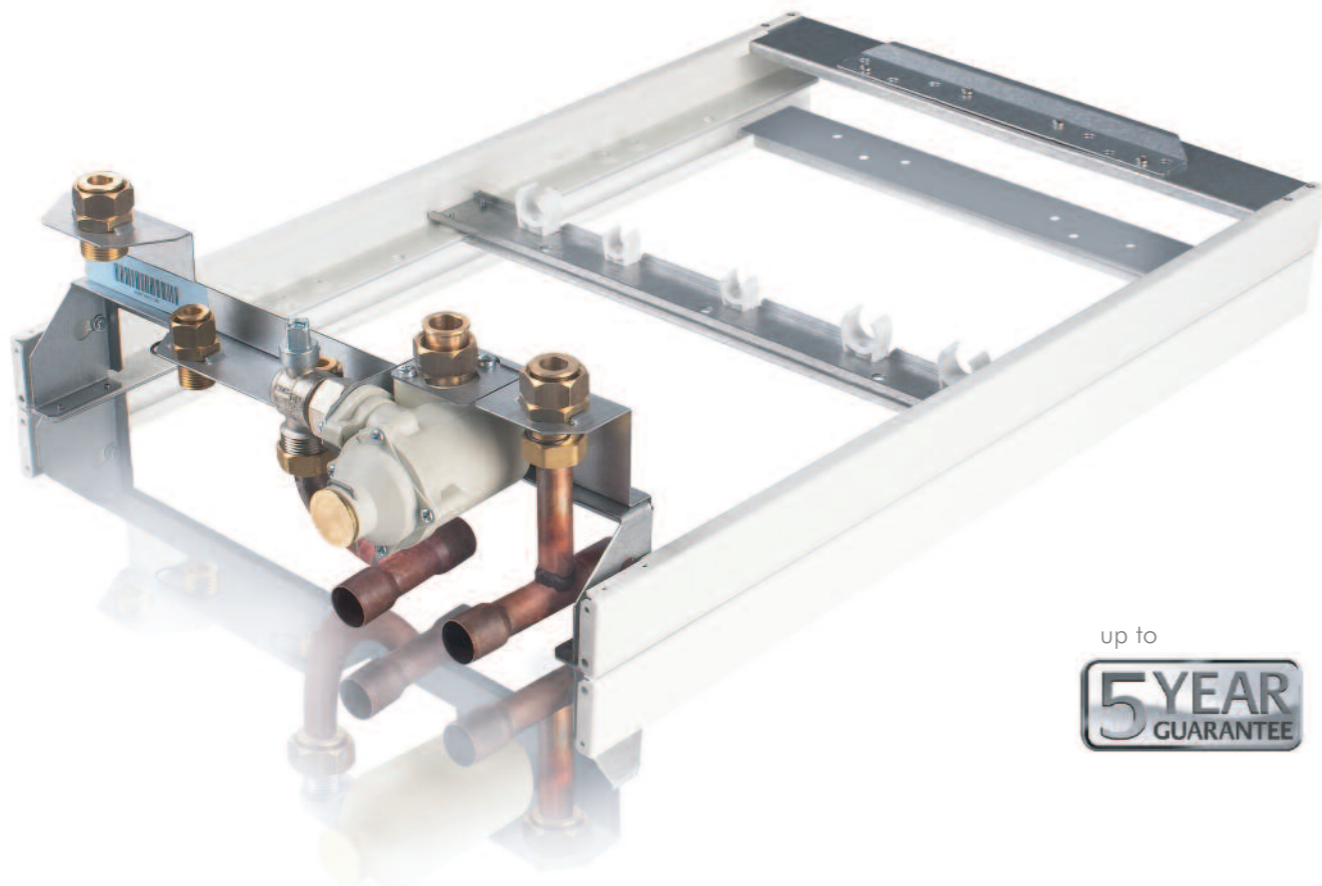
Cyclone protection



Earth Bonding Plate



Pipe Cover Tray



up to
5 YEAR
GUARANTEE

CD50S & CD70S high output system boilers



These fan-assisted condensing system boilers provide heating only for sealed central heating systems and open systems.

Specifically designed for larger output requirements, the CD50S is suitable for central heating loads of between 10 and 53.8kW, and the CD70S for central heating loads of between 18.1 and 72.8kW.

Both models are SEDBUK Band 'A' rated, can be wall mounted and come with a 3 year guarantee.

They can be supplied for use with Natural or Propane Gas (LPG) and are capable of being installed as a single unit or in simple modular formations for even bigger outputs.

CD90S and CD115S available soon.



B23 flue system

80mm CD single pipe flue
80mm CD horizontal terminal flue kit
80mm CD vertical terminal flue kit
80mm CD 1m flue extension
80mm CD flue bend 90°
80mm CD flue bend 45°
80mm flue support brackets pack 5
80mm flue sealing plates

Concentric flue system

80mm CD concentric flue
80/125mm CD concentric horizontal terminal flue kit + adaptor
80/125mm CD concentric vertical terminal flue kit + adaptor
125mm flue sealing collar (white)
80/125mm CD concentric 1m flue extension
80/125mm CD concentric flue bend 90°
80/125mm CD concentric flue bend 45°
125mm flue support brackets pack 5
125mm flue sealing collar (black)

Maximum flue lengths

	Single pipe flue	Concentric pipe flue
Maximum vertical length	30m	18m
Maximum horizontal length	30m	14m
90° bend is equivalent to	2.1m	1.9m
45° bend is equivalent to	1.3m	1.4m
Vertical terminal is equivalent to	3m	3.4m

Model	CH output (kW)	output (Btu/h)	Flow rate (l/min)	Dimensions (mm)	Weight (kg)
CD50S	53.8	183,700	N/A	950x600x525	63
CD70S	72.8	248,600	N/A	950x600x525	68

CD50S and CD70S boilers are supplied with a type B23 flue configuration (open chamber and forced draught). To allow for flexible siting, the configuration can be changed to type 'C' (room sealed) by using a special flue adaptor kit.



Whether you are a home owner or heating professional you'll enjoy award-winning customer service from Alpha.

Customer Service

Helpline

Before, during or after installation, you can rely on Alpha to provide you with expert advice. Whether it's a simple query or a more complicated problem, help is only a phone call away.

Technical Helpline
0844 871 8764

Service engineers

In the unlikely event that you experience a problem with one of our products that can't be resolved over the phone, we'll send out nationwide service engineers. They are equipped with the latest communication technology to keep response times to a minimum.

24/7 emergency cover

We work in partnership with HomeServe to ensure that you can easily arrange extended cover on our products beyond the lifetime of their original guarantee.

Home owners needn't worry about missing this opportunity because they will be contacted by HomeServe in plenty of time to explain the cover available, which includes emergency repairs and an annual service.

The HomeServe Freephone Helpline is open round the clock, 365 days a year, ensuring that any problems are dealt with as quickly as possible.

Installer training

The Alpha Academy provides installers with a range of courses that will improve knowledge of Alpha products as well as many other aspects of the industry.

Training is available at our head office in Kent, also in Birmingham and Bolton.

Courses available:

- City & Guilds 6084 Energy Efficiency for Domestic Heating
- BPEC Solar
- High Efficiency Boilers and Renewables
- Unvented Domestic Hot Water Storage Systems (CITB Certificate of Competence)

Training Academy
0844 871 8763

Technical data

FEATURES	COMBINATION					SYSTEM			OPEN-VENT			STORAGE COMBI	SYSTEM		
	CD25C	CD28C	CD35C	CD25X	CD28X	CD12S	CD20S	CD28S	CD13R	CD18R	CD24R	CD50	CD50S	CD70S	
GENERAL															
SEDBUK rating	A	A	A	A	A	A	A	A	A	A	A	A	A	A	
Lift weight (kg)	41	42	43	41	42	37	38	40	27	27	28	70	63	68	
DHW flow rate (l/min)	9.6	11.4	14.2	9.6	11.4							18			
Max horizontal flue (m)	12	12	12	12	12	12	12	12	12	12	12	12	30	30	
Max vertical flue (m)	15	15	15	15	15	15	15	15	15	15	15	15	30	30	
Standard guarantee (years)	3	3	3	2	2	3	3	3	1	1	1	3	3	3	
BOILER DIMENSIONS															
Height (mm)	720	720	720	720	720	720	720	720	600	600	600	900	950	950	
Width (mm)	440	440	440	440	440	440	440	440	390	390	390	600	600	600	
Depth (mm)	300	300	300	300	300	300	300	300	305	305	305	450	525	525	
INSTALLATION CLEARANCES (relative to the casing)															
Above (mm)	235	235	235	235	235	235	235	235	235	235	235	220	350	350	
Below (mm)	250	250	250	250	250	250	250	250	100	100	100	250	250	250	
Side (mm)	5	5	5	5	5	5	5	5	5	5	5	10	10	10	
Front (mm)	450	450	450	450	450	450	450	450	450	450	450	450	450	450	
GASSAVER COMPATIBLE	•	•	•	•	•	•	•	•	•	•	•	•			
SOLARSMART COMPATIBLE	•	•	•	•	•							•			
FEATURES															
Stainless steel heat exchanger	•	•	•	•	•	•	•	•	•	•	•	•	•	•	
Seasonality Valve	•	•	•												
Built-in filling loop	•	•	•									•			
Factory fitted valves and copper tails	•	•	•	•	•	•	•	•							
Pipes clip distance from the wall	•	•	•	•	•	•	•	•				•			
Pre-wired	•	•	•	•	•	•	•	•	•	•	•	•	•	•	
Electronic ignition	•	•	•	•	•	•	•	•	•	•	•	•	•	•	
Anti-cycling device	•	•	•	•	•	•	•	•	•	•	•	•	•	•	
Pump overrun on heating	•	•	•	•	•	•	•	•	•	•	•	•	•	•	
Daily pump kick	•	•	•	•	•	•	•	•	•	•	•	•	•	•	
Frost thermostat	•	•	•	•	•	•	•	•	•	•	•	•	•	•	
Fully modulating burner	•	•	•	•	•	•	•	•	•	•	•	•	•	•	
One man lift									•	•	•				
Cyclone protection	• ¹	• ¹	• ¹	• ¹	• ¹	• ¹	• ¹	• ¹							
Earth bonding plate	• ¹	• ¹	• ¹	• ¹	• ¹	• ¹	• ¹	• ¹							
Rear piping	• ¹	• ¹	• ¹	• ¹	• ¹	• ¹	• ¹	• ¹							
Split flow tails	• ¹	• ¹	• ¹	• ¹	• ¹	• ¹	• ¹	• ¹							
<small>¹ When fitted with optional PremierPack</small>															
CONTROLS															
	Combination boilers					System boilers			Regular boilers						
	CD25C	CD28C	CD35C	CD25X	CD28X	CD50	CD12S	CD20S	CD28S	CD13R	CD18R	CD24R			
7 day EasyStat	✓	✓	✓	✓	✓	✓	N/A	N/A	N/A	N/A	N/A	N/A			
24 hour mechanical EasyStat	✓	✓	✓	✓	✓	✓	N/A	N/A	N/A	N/A	N/A	N/A			
7 day, 2 channel EasyStat	N/A	N/A	N/A	N/A	N/A	N/A	✓	✓	✓	✓	✓	✓			
7 day digital clock	✓	✓	✓	✓	✓	✓	N/A	N/A	N/A	N/A	N/A	N/A			
7 day, 2 channel digital clock	N/A	N/A	N/A	N/A	N/A	N/A	✓	✓	✓	✓	✓	✓			
24 hour mechanical clock	✓	✓	✓	✓	✓	✓	N/A	N/A	N/A	N/A	N/A	N/A			