

Prestige 50-75-120

High efficiency wall mounted gas-condensing boiler. Stainless steel construction with self-cleaning flue ways.

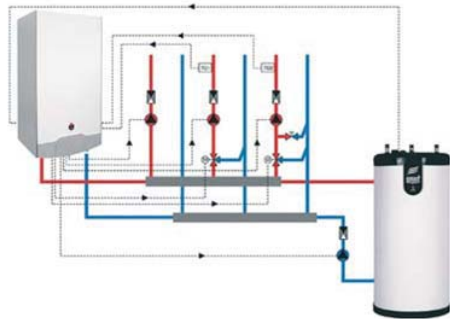
Prestige boilers combined with ACV SmartLine hot water tanks or HeatMaster combination boilers offer the flexibility of a highly efficient heating and hot water system.

Prestige and ACV Hot Water Tanks

Prestige boilers can be combined with your choice of ACV hot water tank with sizes up to 1000 litres.

Modulating Efficiency

A hot water NTC sensor is connected to the boiler's control system (MCBA). The MCBA will constantly monitor the temperature of the hot water and modulate the boiler output accordingly.



Control

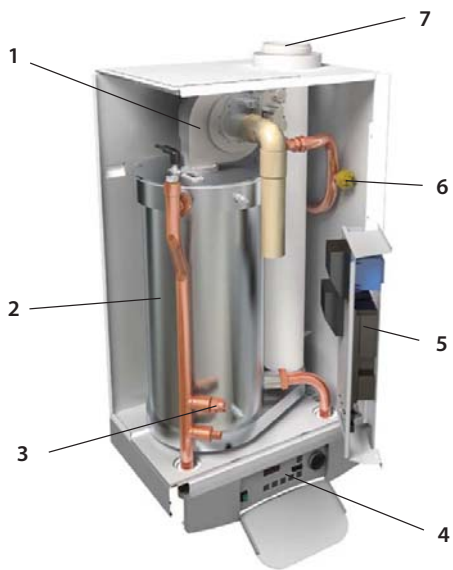
The Prestige benefits from having the ACV advanced MCBA electronic control fitted as standard. This control manages all the gas burner and boiler functions, including its safety parameters and flame modulation, as well as monitoring and controlling the various temperatures across the boiler. Control packages are available upon request.

		Prestige 50	Prestige 75	Prestige 120
Input min/max	kW	15/49.9	18.3/72	22/120
Max output 60/80°C	kW	48.4	69.9	116.6
Min output 60/80°C	kW	14.7	17.9	21.6
Efficiency 30% load (EN887)	%	107.8	107.8	108
SAP seasonal efficiency	%	90.3	90.3	90.3
CO emissions min/max	mg/kWh	20/45	20/52	20/72
NOx emissions min/max	mg/kWh	30/66	38/62	26/70
NOx classification		5	5	5
Flue gas temp 60/80°C	°C	82	82	83
Flue gas temp 30/50°C	°C	40	40	65
Primary capacity	L	20	17	28
Boiler connections (male BSP)	Ø	1 1/4"	1 1/4"	1 1/2"
Gas connection (male BSP)	Ø	3/4"	3/4"	1"
Flue connection	Ø mm	100/150	100/150	100/100 Conventional/twin pipe*
Max flue length	m	20	20	-
Weight empty	kg	54	58	83
Weight full	kg	74	75	111
Natural gas flow rate - 20mb	m³/h	5.28	7.6	12.7
Pressure drop	mbar	30	74	80
Maximum operating temperature	°C	90	90	90

*Prestige 120 can only be flued conventional or twin pipe
Maximum operating pressure Primary: 4 bar

Characteristics

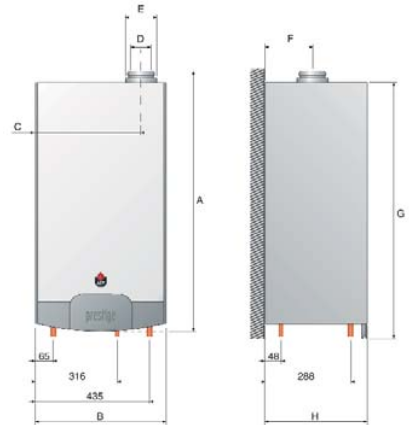
Dimensions



1. Modulating Flue connection gas premix burner
2. ACV stainless steel heat exchanger
3. Low water pressure switch
4. Control panel
5. ACV/MBCA electronic control
6. Gas pressure switch
7. Flue connection

Prestige 50/75

- A 980mm
- B 500mm
- C 392mm
- D 100mm
- E 150mm
- F 175mm
- G 930mm
- H 400mm



Prestige 120

