

E-Tech S

Compact floor standing combination electric boiler. Flexible installation options.

Sensible Efficiency

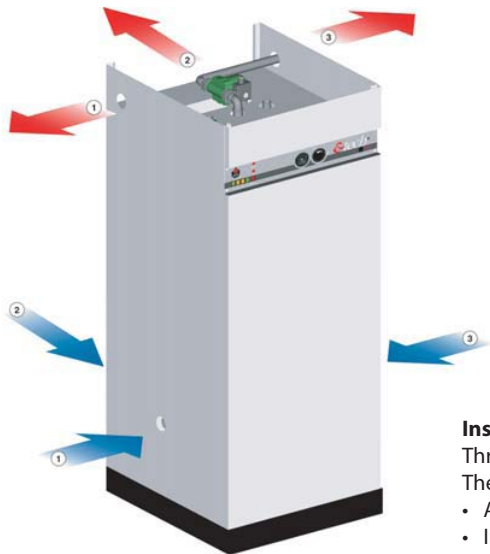
For electric to succeed, it is vital that every watt of input finishes up as useful hot water and heating. The new range of E-Tech S Tank-in-Tank thermal storage units is designed to do just that. Four conveniently-sized models are available and each benefits from the clever integration of our stainless steel Tank-in-Tank technology with an equally advanced electric boiler control system. Cupro incoloy elements within the primary water provide the electrical energy.

How It Works

An inner stainless steel hot water storage tank draws heat from primary water circulating through an outer tank which is heated by heavy duty elements. As they're immersed in primary water only, the heating elements are unlikely to be affected by scaling and input to them is modulated by a dual stage thermostat to reduce cycling and load switching. The special design of the inner DHW tank not only helps ensure scale-free operation, but also avoids the sediment problems that plague conventional cylinders. To fully utilise generated energy the Tank-in-Tank unit is wrapped in a generous 70mm of polyurethane insulation.

Benefits and Features

- Quiet operation
- No flue
- Reduced maintenance (no landlord certification)
- Can be used as a stand alone water heater
- Modulating element input
- High hot water storage temperature reduces legionellae bacteria risk
- Flexible installation options for flow and return connections
- Vented or unvented use with pressure SystemPaks available
- Integral primary heating sealed system kit and circulating pump
- Small footprint enabling compact installation
- Integrated controls



Installation Flexibility

Three choices for heating connections.

The boiler can be installed:

- Against the wall
- In a corner facing left
- In a corner facing right

Technical Data

		E-Tech S 160 Single Phase	E-Tech S 240 Single Phase	E-Tech S 380 Single Phase	E-Tech S 380 Tri-Phase
Maximum output	kW	14.4*	14.4*	14.4*	28.8*
Nominal supply	V	230	230	230	3 x 400 + N
Nominal supply	amps	63	63	63	3 x 42
Primary capacity	L	55	68	127	127
Total capacity	L	161	242	394	394
Heating surface area	m ²	1.26	1.87	2.6	2.6
DHW connection (male BSP)	Ø	¾"	¾"	1½"	1½"
Primary connection (female BSP)	Ø	1"	1"	1"	1"
Expansion volume	Ltrs	8	8	2 x 8	2 x 8
Weight empty	kg	115	155	230	230
Weight full	kg	276	397	534	524
Maximum operating temperature	°C	85	85	85	85

*Etech S can be down-rated in steps of 2.4kW (Single Phase) and 7.2kW (Tri Phase).

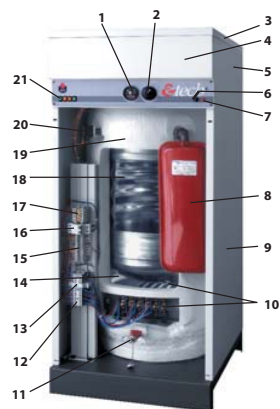
Maximum operating pressure Primary: 3 bar Secondary: 10 bar

Performance Data

		E-Tech S 160 Single Phase	E-Tech S 240 Single Phase	E-Tech S 380 Single Phase	E-Tech S 380 Tri-Phase
Litres in first 10 minutes	40°C	310	532	855	870
Litres in first 10 minutes	45°C	250	452	725	739
Litres in first 10 minutes	60°C	168	294	468	472
Litres in first hour	40°C	690	880	1200	1516
Litres in first hour	45°C	570	750	1021	1270
Litres in first hour	60°C	375	465	636	752
Continuous flow 40°C	Ltrs/hr	413	413	413	826
Continuous flow 45°C	Ltrs/hr	354	354	354	708
Continuous flow 60°C	Ltrs/hr	248	248	248	448

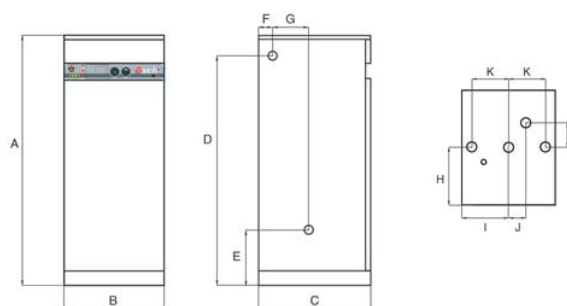
Please Note: Performance data assumes a primary flow temperature of 85°C and a domestic cold water supply of 10°C

Characteristics



1. Combined temperature/pressure gauge
2. Dual stage control thermostat
3. Removable top panel
4. Upper front panel, removable for access to pipe connections
5. Knockouts for pipe work entry and exit
6. Manual reset high limit thermostat
7. High temperature and low water pressure warning indicator
8. 8 litre expansion vessel/s (one on 160/240, two on 380)
9. Primary water return connection
10. Heating elements
11. Primary drain valve
12. Elements supply contactor
13. Power stage delay timer
14. Primary heating circuit
15. Control circuit connections
16. Control circuit MCB (3 amp)
17. Power cable connections
18. Stainless steel inner hot water tank
19. 70mm polyurethane foam insulation
20. Low water pressure switch
21. Control switches including: on/off, power stage 1, power stage 2 and Summer/Winter switch.

Dimensions



	160	240	380
A	1432mm	1953mm	2134mm
B	620mm	620mm	720mm
C	720mm	720mm	800mm
D	1282mm	1800mm	1985mm
E	290mm	290mm	300mm
F	43mm	43mm	92mm
G	265mm	265mm	265mm
H	405mm	405mm	435mm
I	310mm	310mm	360mm
J	127mm	127mm	94mm
K	180mm	180mm	135mm
L	126mm	126mm	96mm